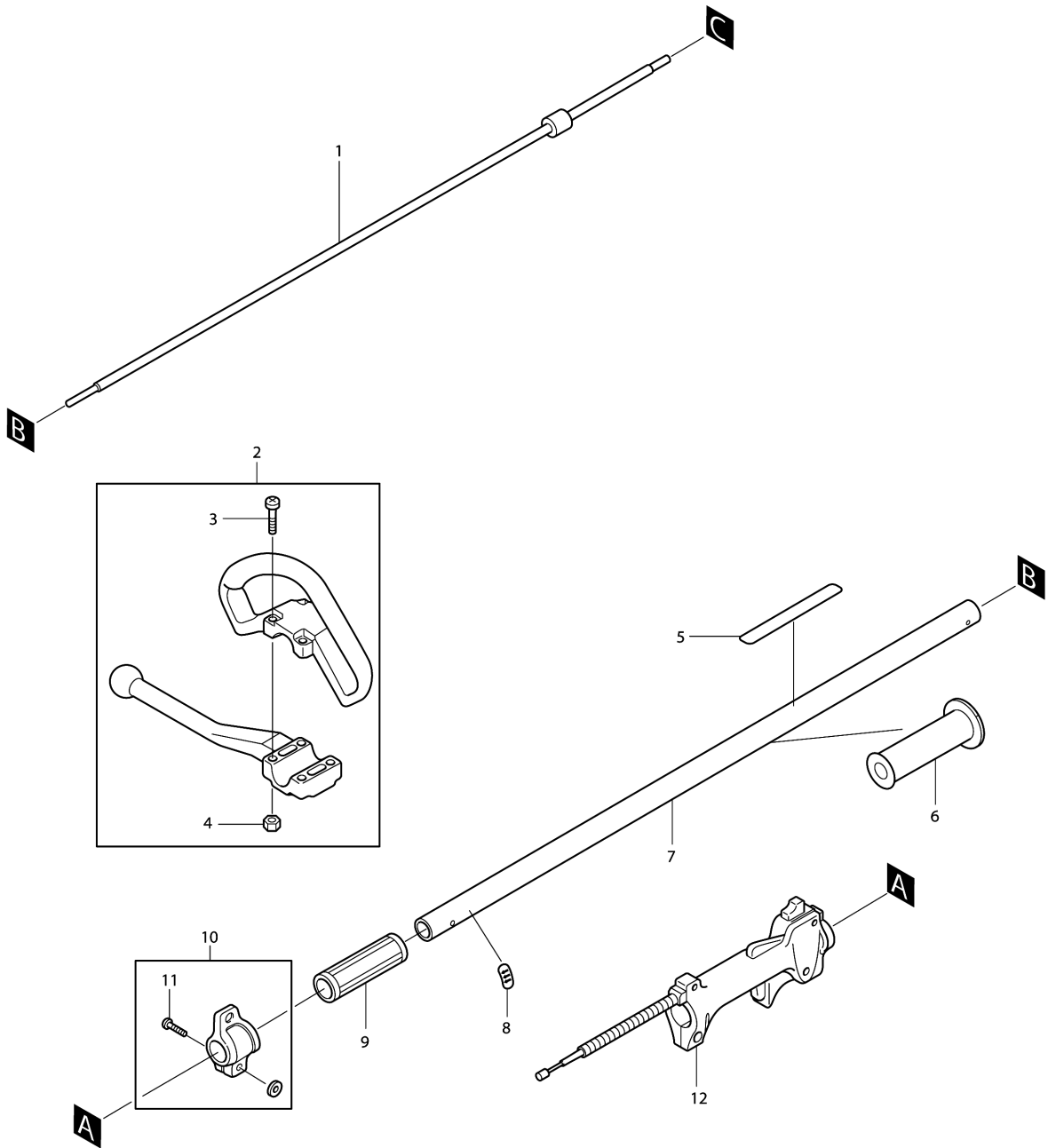
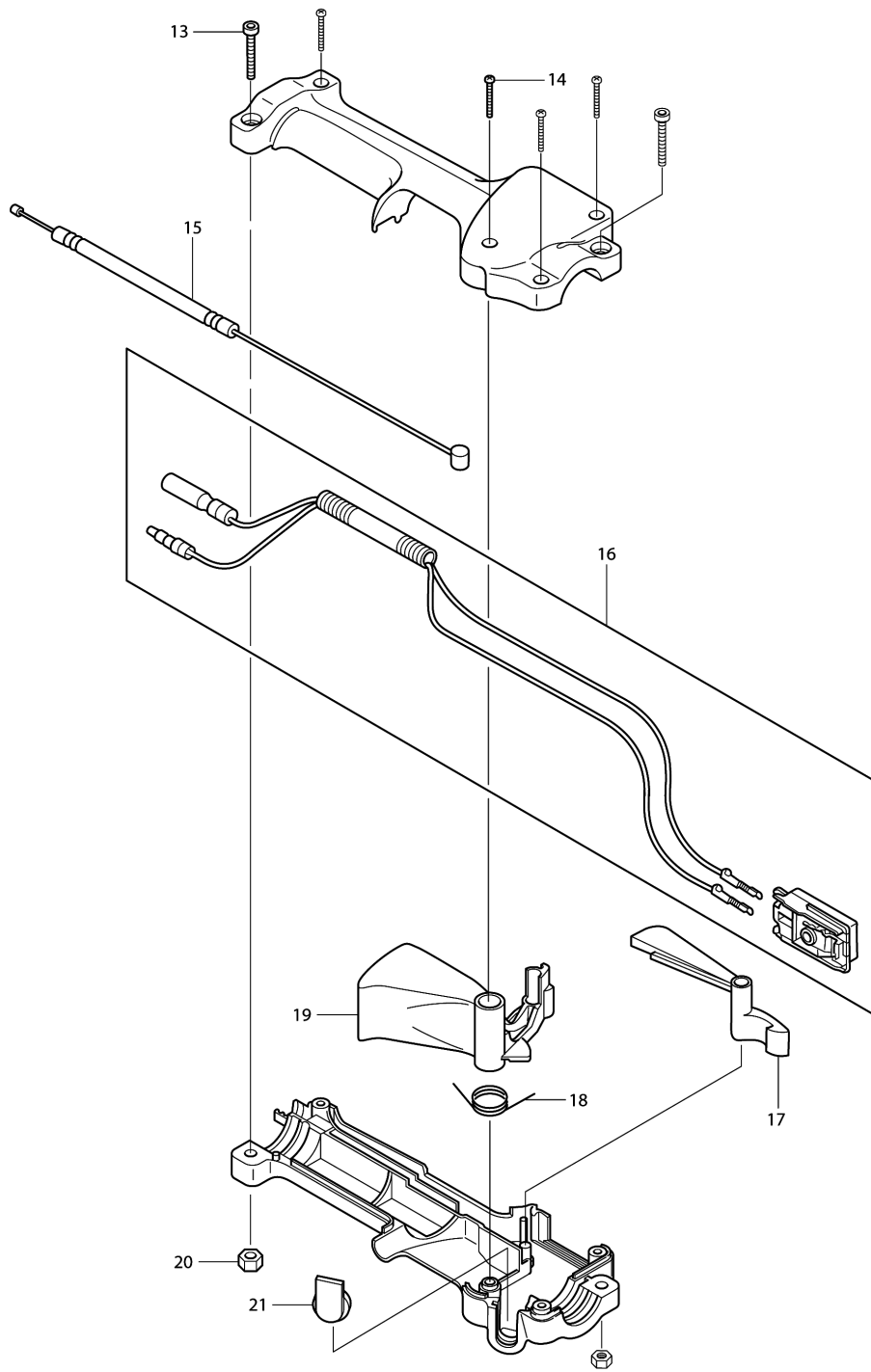


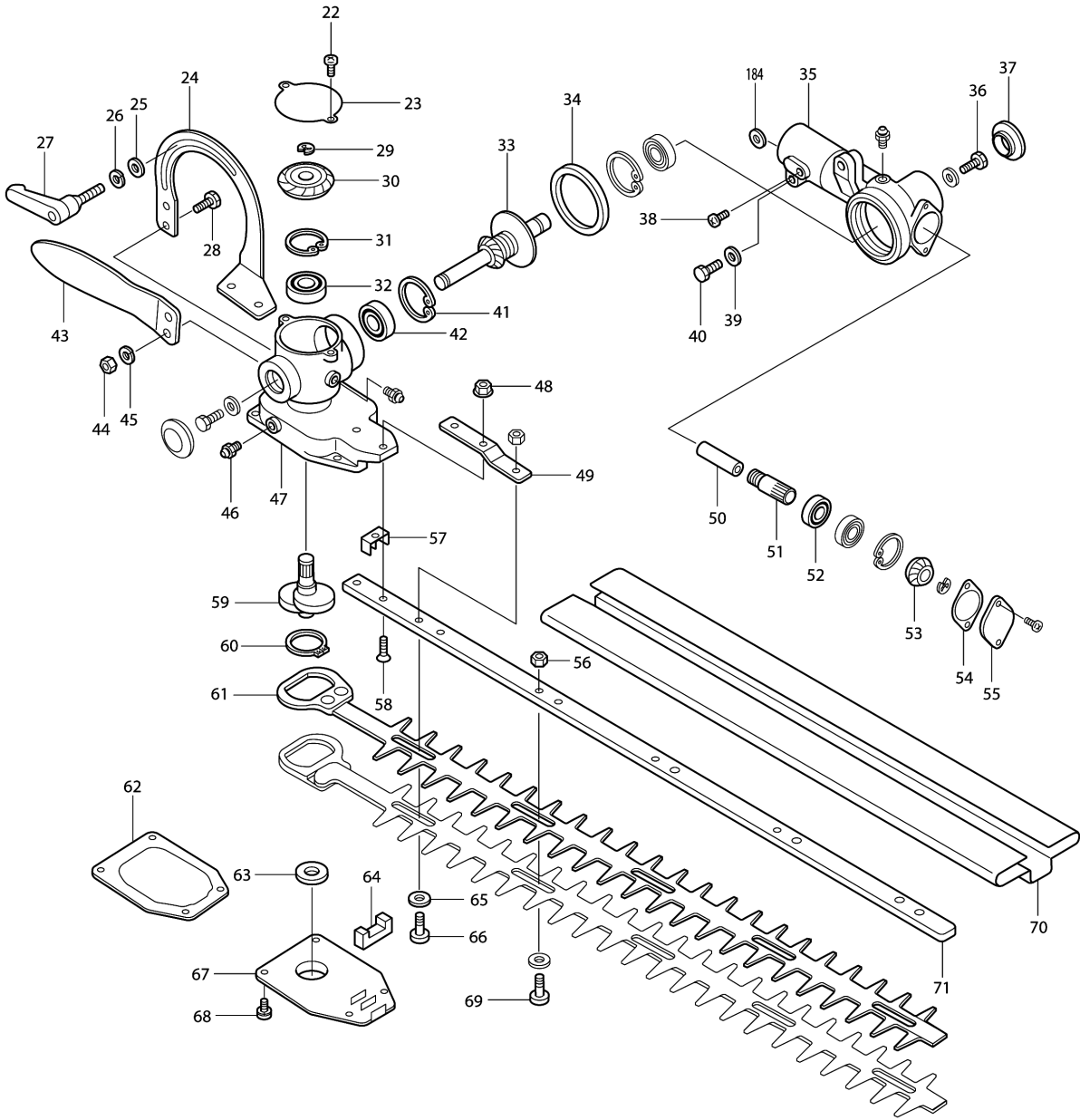
Model No.PTR2500 POLE HEDGE TRIMMER



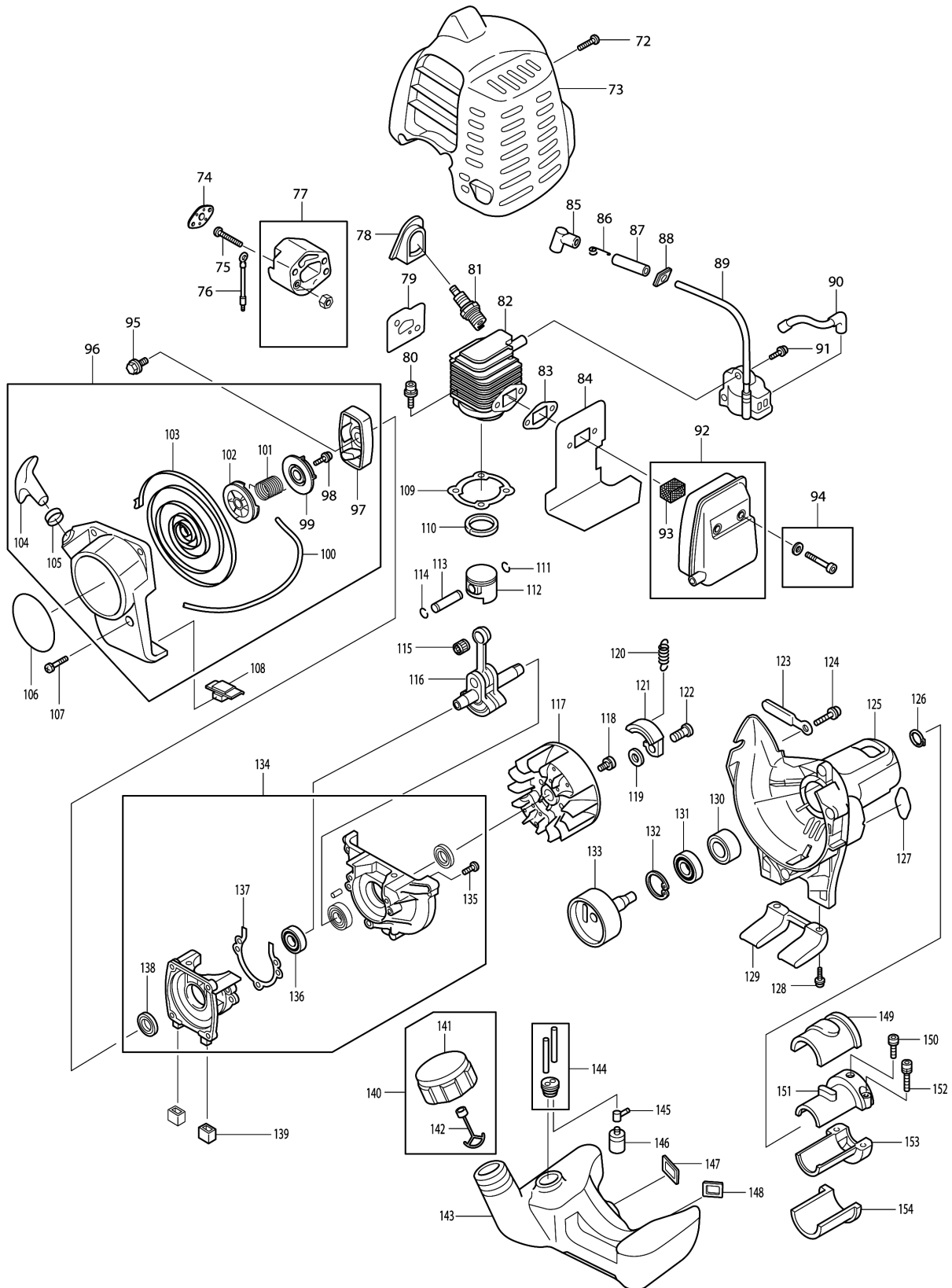
Model No.PTR2500 POLE HEDGE TRIMMER



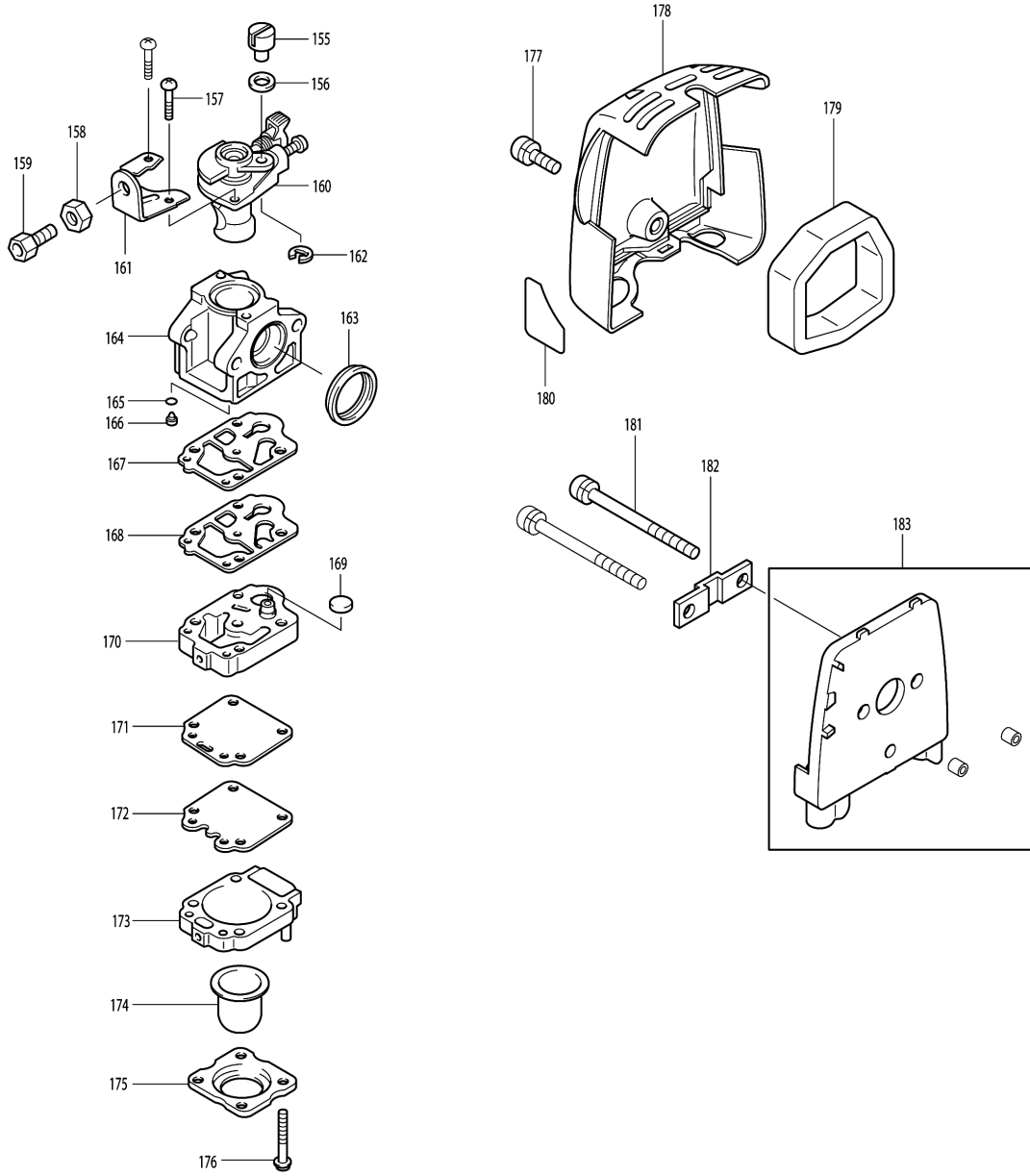
Model No.PTR2500 POLE HEDGE TRIMMER



Model No.PTR2500 POLE HEDGE TRIMMER



Model No.PTR2500 POLE HEDGE TRIMMER



Model No.PTR2500 POLE HEDGE TRIMMER

Item	Parts No.	Description	I/C	Qty	New/Old	Opt. 1	Opt. 2	Note
001	6191500401	SHAFT		1	*			
001-1	324893-4	SHAFT	O	1				
002	6214016000	HANDLE SET		1	*			
D10		INC. 3,4			*			
002-1	125567-8	HANDLE ASSEMBLY	O	1				
D10		INC. 3,4						
003	6214016030	SCREW		4	*			
003-1	266845-8	BINDING HEAD SCREW M5X25	O	4				
004	0022705000	NUT M5		4	*			
004-1	264093-3	HEX. NUT M5	O	4	*			
004-2	931202-6	HEX. NUT M5	O	4				
005	6019514600	SERIAL LABEL COMPL		1	*			
005-1	810C83-8	CAUTION LABEL	<	1				
006	6014503800	GRIP		1	*			
006-1	273668-7	GRIP 40	O	1				
007	6211025000	SHAFT PIPE COMPL		1				
008	6259514700	CAUTION LABEL		1	*			
008-1	808723-2	CAUTION LABEL	O	1				
009	6271501501	SPACER		1	*			
009-1	450659-7	SPACER	O	1				
010	6197005001	HANGER ASS'Y		1	*			
D10		INC. 11			*			
010-1	126378-4	HANGER ASS'Y	O	1				
D10		INC. 11						
011	0140059360	SCREW & WASHER ASS'Y		1	*			
011-1	266788-4	PAN HEAD SCREW M5X20 WITH WR	O	1				
012	6215030000	CONTROL LEVER ASSY		1	*			
012-1	126014-2	CONTROL LEVER ASSEMBLY	O	1				
013	0119059720	SOCKET HEAD BOLT M5X20		2	*			
013-1	266698-5	HEX. SOCKET HEAD BOLT M5X20	O	2				
014	6195006060	TAPPING SCREW M4X20		4	*			
014-1	266584-0	TAPPING SCREW 4X20	O	4				
015	6215030110	CONTROL CABLE		1	*			
015-1	168674-4	CONTROL CABLE	O	1				
016	6215030060	WIRE SET		1	*			
016-1	638786-2	WIRE SET	O	1				
017	6215023060	LEVER		1	*			
017-1	451934-4	STOP LEVER	O	1				
018	6195006050	SPRING		1	*			
018-1	233568-3	TORSION SPRING	O	1				
019	6195006030	LEVER		1	*			
019-1	451933-6	LONG LEVER	O	1				
020	6415011160	NUT		2	*			
020-1	931203-4	HEX. NUT M5	O	2				

Please order the parts with part number.

Print Date 25/10/2023

Model No.PTR2500 POLE HEDGE TRIMMER

Item	Parts No.	Description	I/C	Qty	New/Old	Opt. 1	Opt. 2	Note
021	6195006150	TOP		1	*			
021-1	451936-0	TOP	O	1				
022	0016040080	SCREW ASSEMBLY		4	*			
022-1	016040080K	SCREW M4X8	O	4				
023	0196112004	PLATE		1	*			
023-1	196112004A	PLATE	O	1				
024	0224145003	PLATE		1	*			
024-1	224145003A	PLATE	O	1				
025	0207060209	WASHER		3	*			
025-1	207060209K	WASHER	O	3				
026	0210060000	SPRING WASHER		3	*			
026-1	210060000K	SPRING WASHER M6	O	3				
027	0034000900	CLAMP LEVER		1	*			
027-1	034000900R	CLAMP LEVER	O	1				
028	0054060220	CROSS RECESS BOLT ASSEMBLY		2	*			
028-1	054060220K	BOLT M6X22	O	2				
029	0280006000	CLIP		2	*			
029-1	280006000K	STOP RING ETW6	O	2				
030	0023500444	GEAR		1	*			
030-1	023500444A	BEVEL GEAR	O	1				
031	0282026000	INNER SNAP RING		2	*			
031-1	282026000K	SNAP RING (INNER) R26	O	2				
032	0354060000	BALL BEARING		1	*			
032-1	354060000K	BALL BEARING 6000	O	1				
033	0224130004	GEAR COMPLETE		1	*			
033-1	224130004A	GEAR SHAFT	O	1				
034	0440P41000	RING-O		1	*			
034-1	440P41000K	O RING	O	1				
035	0224149002	CASE B		1	*			
035-1	6013509000	CASE B	S	1				
036	0054060120	CROSS RECESS BOLT ASSEMBLY		1	*			
036-1	054060120K	BOLT M6X12	O	1				
037	0224147004	CAP		1	*			
037-1	224147004A	CAP	O	1				
038	0010050100	SCREW PAN HEAD		1	*			
038-1	010050100K	PAN HEAD SCREW M5X10	O	1				
039	0200050000	WASHER		1	*			
040	0054050250	CROSS RECESS BOLT ASSEMBLY		1	*			
040-1	054050250K	BOLT M5X25	O	1				
041	0282022000	INNER SNAP RING		2	*			
041-1	282022000K	SNAP RING (INNER) R22	O	2				
042	0354006080	BALL BEARING		2	*			
042-1	354006080K	BALL BEARING 608	O	2				
043	0224141003	HANDLE		1	*			

Please order the parts with part number.

Print Date 25/10/2023

Model No.PTR2500 POLE HEDGE TRIMMER

Item	Parts No.	Description	I/C	Qty	New/Old	Opt. 1	Opt. 2	Note
043-1	224141003A	HANDLE	O	1				
044	0150060000	NUT		2	*			
044-1	150060000K	HEX. NUT M6	O	2				
045	0210060000	SPRING WASHER		2	*			
045-1	210060000K	SPRING WASHER M6	O	2				
046	0055000100	GREASE NIPPLE M6		3	*			
046-1	055000100R	GREASING NIPPLE	O	3				
047	0224148002	CASE A		1	*			
047-1	224148002A	CASE A	O	1				
048	0162050000	FLANGE NUT M5		2	*			
048-1	162050000K	FLANGE NUT M5	O	2				
049	0224108004	PLATE		1	*			
049-1	224108004A	PLATE	O	1				
050	0224146004	JOINT R		1	*			
050-1	224146004A	JOINT R	O	1				
051	0196109004	GEAR SHAFT B		1	*			
051-1	196109004A	GEAR SHAFT B	O	1				
052	0352069000	BALL BEARING		2	*			
052-1	352069000K	BALL BEARING 6900	O	2				
053	0023500434	GEAR		1	*			
053-1	023500434A	BEVEL GEAR	O	1				
054	0196114004	PACKING		1	*			
054-1	196114004A	PACKING	O	1				
055	0196113004	PLATE		1	*			
055-1	196113004A	PLATE	O	1				
056	0164060000	U-NUT M6		5	*			
056-1	164060000K	HEX. U-NUT M6	O	5				
057	0224131004	GUIDE		1	*			
057-1	224131004A	GUIDE	O	1				
058	0031050200	SCREW		2	*			
058-1	031050200K	+ COUNTERSUNK HEAD SCREW M5X20	O	2				
059	0024000053	CRANKSHAFT		1	*			
059-1	024000053A	CRANK SHAFT	O	1				
060	0283028000	OUTER SNAP RING		1	*			
060-1	283028000K	SNAP RING STW28	O	1				
061	0224143009	BLADE		1	*			
061-1	224143009A	BLADE	O	1	*			
061-2	224143009A	BLADE	O	2				
062	0224154004	PACKING		1	*			
062-1	224154004A	PACKING	O	1	*			
062-2	224154004A	PACKING	O	1				
063	0351006080	BALL BEARING		1	*			
063-1	351006080K	BALL BEARING 608Z	O	1				
064	0224112004	FELT		1	*			
064-1	224112004A	FELT	O	1				

Please order the parts with part number.

Print Date 25/10/2023

Model No.PTR2500 POLE HEDGE TRIMMER

Item	Parts No.	Description	I/C	Qty	New/Old	Opt. 1	Opt. 2	Note
065	0082500000	BLADE SLIDING WASHER		5				
066	0040002009	SCREW L=19		5	*			
066-1	040002009A	BLADE SLIDE SCREW L19	O	5				
067	0224153003	CASE LOWER		1	*			
067-1	224153003A	CASE LOWER	O	1				
068	0054040120	CROSS RECESS BOLT ASSEMBLY		4	*			
068-1	0078040124	SOCKET HEAD BOLT M4X12	<	4				
069	0040001009	SCREW		4	*			
069-1	040001009A	BLADE SLIDE SCREW L17	O	4				
070	0028200039	BLADE COVER		1	*			
070-1	028200039A	BLADE COVER	O	1	*			
070-2	028200049A	BLADE COVER	O	1				
071	0224144003	GUIDE PLATE		1	*			
071-1	224144003A	GUIDE PLATE	O	1				
072	0140059480	SCREW ASS'Y M5X14		1	*			
072-1	266809-2	P.H.SCREW M5X14 WITH WR	O	1				
073	5255506600	CYLINDER COVER		1				
074	5103502801	SPACER GASKET		1	*			
074-1	442177-9	GASKET AIR CLEANER	O	1				
075	0119059640	SOCKET HEAD BOLT M5X25		2	*			
075-1	266793-1	HEX. S.H.B. M5X25 WITH WR	O	2				
076	6165501200	WIRE		1	*			
076-1	6165500201	WIRE	O	1	*			
076-2	638784-6	WIRE	O	1				
077	5423006000	INSULATOR COMPLETE		1	*			
077-1	140995-6	INSULATOR COMPLETE	O	1				
078	5197500100	PLUG CAP COVER		1	*			
078-1	424445-2	PLUG CAP COVER	O	1				
079	5253503800	INSULATOR GASKET		1				
080	0119059730	SOCKET HEAD BOLT M5X20		2	*			
080-1	266814-9	HEX SOCKET HEAD BOLT M5X20	O	2				
081	0650149721	SPARK PLUG		1	*			
081-1	168662-1	SPARK PLUG(BMR7A)	O	1				
082	5231501804	CYLINDER		1	*			
082-1	318762-9	CYLINDER	O	1				
083	5233504302	MUFFLER GASKET		1				
084	5253503500	MUFFLER GASKET		1				
085	0655009870	PLUG CAP		1	*			
085-1	424337-5	PLUG CAP	O	1				
086	0654009931	PLUG CAP SPRING		1	*			
086-1	324891-8	PLUG CAP SPRING	O	1				
087	0851139930	TUBE		1				
088	5257501100	GROMMET		1				
089	5257037020	COIL		1				

Please order the parts with part number.

Print Date 25/10/2023

Model No.PTR2500 POLE HEDGE TRIMMER

Item	Parts No.	Description	I/C	Qty	New/Old	Opt. 1	Opt. 2	Note
090	5257018001	WIRE COMPLETE		1	*			
090-1	638665-4	LEAD UNIT	O	1				
091	0043704200	SCREW ASS'Y M4X20		2				
092	5253057000	EXHAUST MUFFLER		1				
D10		INC. 93						
093	5253033010	SPARK ARRESTER		1	*			
093-1	352016-4	SPARK ARRESTER	O	1				
094	0119059600	SOCKET HEAD BOLT M5X45		2	*			
094-1	266697-7	SOCKET HEAD BOLT M5X45	O	2				
095	5235504700	BOLT ASS'Y		1	*			
095-1	266703-8	HEX. HEAD BOLT M6X14	O	1				
096	5255049000	STARTER REWIND		1				
D10		INC. 97-105						
097	5155051000	PULLEY		1	*			
097-1	5255051000	PULLEY	X	1				
098	5425003010	SET SCREW		1	*			
098-1	266580-8	TAPPING SCREW 5X10	O	1				
099	5255050020	CAM PLATE		1				
100	5255016020	STARTER ROPE		1	*			
100-1	444024-0	STARTER ROPE	O	1				
101	5195019030	DAMPER SPRING		1	*			
101-1	233984-9	DAMPER SPRING	O	1	*			
101-2	233578-0	DAMPER SPRING	O	1				
102	5255050010	REEL		1	*			
102-1	451939-4	REEL	O	1				
103	5235024032	SPIRAL SPRING		1	*			
103-1	232269-0	SPIRAL SPRING	O	1				
104	5225004020	HANDLE		1	*			
104-1	424319-7	STARTER KNOB	O	1				
105	5255001040	DAMPER		1	*			
105-1	424359-5	DAMPER	O	1				
106	6019514700	MODEL LABEL PTR2500		1				
107	0140059350	SCREW ASS'Y M5X18(W,SW)		4	*			
107-1	266699-3	PAN HEAD SCREW M5X18	O	4				
108	5256503000	DAMPER		1	*			
108-1	422388-2	DAMPER	O	1				
109	5231502304	CYLINDER GASKET		1	*			
109-1	442171-1	CYLINDER GASKET	O	1				
110	5242500701	PISTON RING		1	*			
110-1	257979-8	PISTON RING	O	1				
111	0565089970	CLIP		1	*			
111-1	233976-8	CLIP	O	1				
112	5252500800	PISTON		1	*			
112-1	318766-1	PISTON	O	1				
113	5232502600	PISTON PIN		1	*			

Please order the parts with part number.

Print Date 25/10/2023

Model No.PTR2500 POLE HEDGE TRIMMER

Item	Parts No.	Description	I/C	Qty	New/Old	Opt. 1	Opt. 2	Note
113-1	257781-9	PISTON PIN	O	1				
114	0565089970	CLIP		1	*			
114-1	233976-8	CLIP	O	1				
115	0610089990	NEEDLE ROLLER BEARING		1				
116	5252007000	CRANKSHAFT COMPLETE		1	*			
116-1	144402-1	CRANK SHAFT COMPLETE	O	1				
117	5237034014	FLYWHEEL		1	*			
117-1	318765-3	FLYWHEEL	O	1				
118	0130069940	BOLT ASSEMBLY M6X16(W,SW)		1	*			
118-1	265577-4	HEX HEAD BOLT M6X16	O	1	*			
118-2	266746-0	HEX. HEAD BOLT M6X14	S	1				
119	6252500900	WASHER		2				
120	5928500100	SPRING		1				
121	5928500000	CLUTCH SHOE		2				
122	5928500200	CLUTCH BOLT		2				
123	0566059980	CLAMP		1	*			
123-1	345963-6	CLAMP	O	1				
124	0119059870	SOCKET HEAD BOLT M5X18		3	*			
124-1	266787-6	H.S.H.BOLT M5X18 WITH WR	O	3				
125	6211505500	CLUTCH CASE		1				
126	0031512000	OUTER SNAP RING		1	*			
126-1	961052-5	RETAINING RING (EXT) S-12	O	1				
127	6279516201	LABEL		1				
128	0140059480	SCREW ASS'Y M5X14		2	*			
128-1	266809-2	P.H.SCREW M5X14 WITH WR	O	2				
129	5259010001	STAND ASSY		1				
130	6241500300	SPACER		1	*			
130-1	450569-8	SPACER	O	1	*			
130-2	450569-8	SPACER	O	1				
131	0600129810	BALL BEARING		1	*			
131-1	210111-5	BALL BEARING 6201LLU	O	1	*			
131-2	210116-5	BALL BEARING 6201LLU	O	1				
132	0031432000	INNER SNAP RING		1	*			
132-1	962151-6	RETAINING RING R-32	O	1				
133	6212014000	CLUTCH DRUM COMPLETE		1				
134	5231014000	CRANKCASE COMPL		1				
D10		INC. 135-138						
135	0140059520	SCREW M5X25		3	*			
135-1	266701-2	PAN HEAD SCREW M5X25	O	3	*			
135-2	922241-7	HEX. SOCKET HEAD BOLT M5X25	O	3				
136	0600129850	BALL BEARING 6001C3 UR		2	*			
136-1	210113-1	BALL BEARING 6001	O	2				
137	5231502202	CRANKCASE GASKET		1	*			
137-1	424447-8	CRANK CASE GASKET	O	1				

Please order the parts with part number.

Print Date 25/10/2023

Model No.PTR2500 POLE HEDGE TRIMMER

Item	Parts No.	Description	I/C	Qty	New/Old	Opt. 1	Opt. 2	Note
138	0440129970	OIL SEAL		2	*			
138-1	213628-7	OIL SEAL	O	2				
139	5216500200	DAMPER		2	*			
139-1	424446-0	DAMPER	O	2				
140	5256059000	FUEL TANK CAP COMPLETE		1	*			
D10		INC. 141,142			*			
140-1	168668-9	FUEL TANK CAP COMPLETE	O	1				
D10		INC. 141,142						
141	5256058000	FUEL TANK CAP		1	*			
141-1	452920-8	FUEL TANK CAP	O	1				
142	5256067000	STRAP		1	*			
142-1	140436-2	STRAP COMPLETE	O	1				
143	5256502900	FUEL TANK		1				
144	0851159920	TUBE		1	*			
144-1	0851159850	TUBE	O	1	*			
144-2	162329-3	TUBE	O	1				
145	0561059990	HOSE CLAMP		1	*			
145-1	345920-4	HOSE CLAMP	O	1				
146	5236503900	FILTER		1	*			
146-1	163447-0	FUEL FILTER	O	1	*			
146-2	163447-0	FUEL FILTER	O	1				
147	5036500200	PLATE		1	*			
147-1	424102-2	PLATE	O	1				
148	5036500300	PLATE		1	*			
148-1	424103-0	PLATE	O	1				
149	6241501200	PIPE DAMPER 1		1	*			
149-1	422393-9	PIPEDAMPER 1	O	1				
150	0119059900	SOCKET HEAD BOLT M5X12		1				
151	6241500601	PIPE BRACKET 1		1				
152	0119059950	SOCKET HEAD BOLT M5X18		2	*			
152-1	266844-0	HEX. S.H.BOLT M5X18 WITH W	O	2				
153	6241500701	PIPE BRACKET 2		1	*			
153-1	318271-8	PIPE BRACKET 2	O	1				
154	6241501300	PIPE DAMPER 2		1	*			
154-1	422394-7	PIPE DAMPER 2	O	1				
155	5236018040	SWIVEL		1	*			
155-1	325922-6	SWIVEL	O	1				
156	5426005030	WASHER		1	*			
156-1	413140-9	WASHER	O	1				
157	5246001240	THROTTLE COLLAR SCREW		2	*			
157-1	266704-6	PAN HEAD SCREW M3X10	O	2				
158	5316005450	CABLE ADJUST NUT		1	*			
158-1	264065-8	CABLE ADJUST NUT M6	O	1				
159	5216008010	CABLE ADJUST SCREW M6X8		1	*			
159-1	266795-7	ADJUST SCREW	O	1				

Please order the parts with part number.

Print Date 25/10/2023

Model No.PTR2500 POLE HEDGE TRIMMER

Item	Parts No.	Description	I/C	Qty	New/Old	Opt. 1	Opt. 2	Note
160	5256022020	VALVE ASSEMBLY- THRPOTTLE		1	*			
161	5236052020	BRACKET CABLE		1	*			
161-1	346491-4	BRACKET CABLE	O	1				
162	5316005120	RING		1	*			
162-1	257964-1	STOP RING E-3	O	1				
163	5236018020	RING PACKING		1	*			
163-1	424444-4	PACKING RING	O	1				
164	5256086000	CARBURETOR		1	*			
D10		INC. 155-176			*			
164-1	168669-7	CARBURETOR	O	1				
D10		INC. 155-176						
165	5246001010	O RING		1	*			
165-1	213538-8	O RING 2	O	1				
166	5256013010	JET		1	*			
166-1	326086-9	JET	O	1	*			
166-2	WJ00112245	JET	O	1				
167	5246001030	PUMP GASKET		1	*			
167-1	442172-9	PUMP GASKET	O	1				
168	5246001040	PUMP DIAPHRAGM		1	*			
168-1	168575-6	PUMP DIAPHRAGM	O	1	*			
168-2	WJ00009599	PUMP DIAPHRAGM	O	1				
169	5016004010	INLET SCREEN		1	*			
169-1	352010-6	INLET SCREEN	O	1	*			
169-2	WJ00014070	INLET SCREEN	O	1				
170	5236046130	PUMP BODY ASS'Y		1	*			
D10		INC. 169			*			
170-1	140989-1	PUMP BODY ASSEMBLY	O	1				
D10		INC. 169						
171	5236046040	METERING DIAPHRAGM GASKET		1	*			
171-1	442154-1	METERING DIAPHRAGM GASKET	O	1				
172	5926008010	METERING DIAPHRAGM ASS'Y		1	*			
172-1	168574-8	METERING DIAPHRAGM	O	1	*			
172-2	WJ00963279	SCREW	O	1	*			
172-3	WJ00095586	DIAPHRAGM ASS'Y	X	1				
173	5236046060	AIR PURGE BODY ASS'Y		1	*			
173-1	140988-3	AIR PURGE BODY ASSEMBLY	O	1				
174	5246001150	PRIMER PUMP		1	*			
174-1	424314-7	PRIMER PUMP	O	1				
175	5236046050	PRIMER PUMP COVER		1	*			
175-1	346270-0	PRIMER PUMP COVER	O	1				
176	5236046010	PUMP COVER SCREW		4	*			
176-1	266582-4	TAPPING SCREW 3X24	O	4				
177	0140059480	SCREW ASS'Y M5X14		1	*			
177-1	266809-2	P.H.SCREW M5X14 WITH WR	O	1				

Please order the parts with part number.

Print Date 25/10/2023

Model No.PTR2500 POLE HEDGE TRIMMER

Item	Parts No.	Description	I/C	Qty	New/Old	Opt. 1	Opt. 2	Note
178	5253502600	AIR CLEANER CASE		1	*			
178-1	5253502600	AIR CLEANER CASE	O	1	*			
178-2	452917-7	AIR CLEANER CASE	O	1				
179	5233504700	AIR CLEANER ELEMENT		1	*			
179-1	443167-5	AIR CLEANER ELEMENT	O	1				
180	0736259880	LABEL		1	*			
180-1	892911-1	INDICATION LABEL	O	1				
181	0043105600	PAN HEAD SCREW M5X60		2	*			
181-1	266695-1	PAN HEAD SCREW M5X60	O	2				
182	5013502400	AIR CLEANER PLATE ASSY		1	*			
182-1	346489-1	AIR CLEANER PLATE	O	1				
183	5253021000	CLEANER PLATE COMPLETE		1	*			
183-1	140993-0	CLEANER PLATE COMPLETE	O	1	*			
183-2	140993-0	CLEANER PLATE COMPLETE	O	1				
184	0200050000	WASHER		1	*			
185	0203069980	SPRING WASHER	S	1				
186	267429-5	FLAT WASHER 6	S	1				
A01	6029015000	SAFETY GOGGLES		1	*			
A01-1	6029015001	PROTECTOR	O	1				
A02	196983-1	TOOL SET		1				
D10		INC. A03-A05						
A03	783018-3	BOX DRIVER		1				
A04	781042-0	WRENCH 8-10		1				
A05	783223-2	HEX. WRENCH 4		1				

Please order the parts with part number.

Print Date 25/10/2023