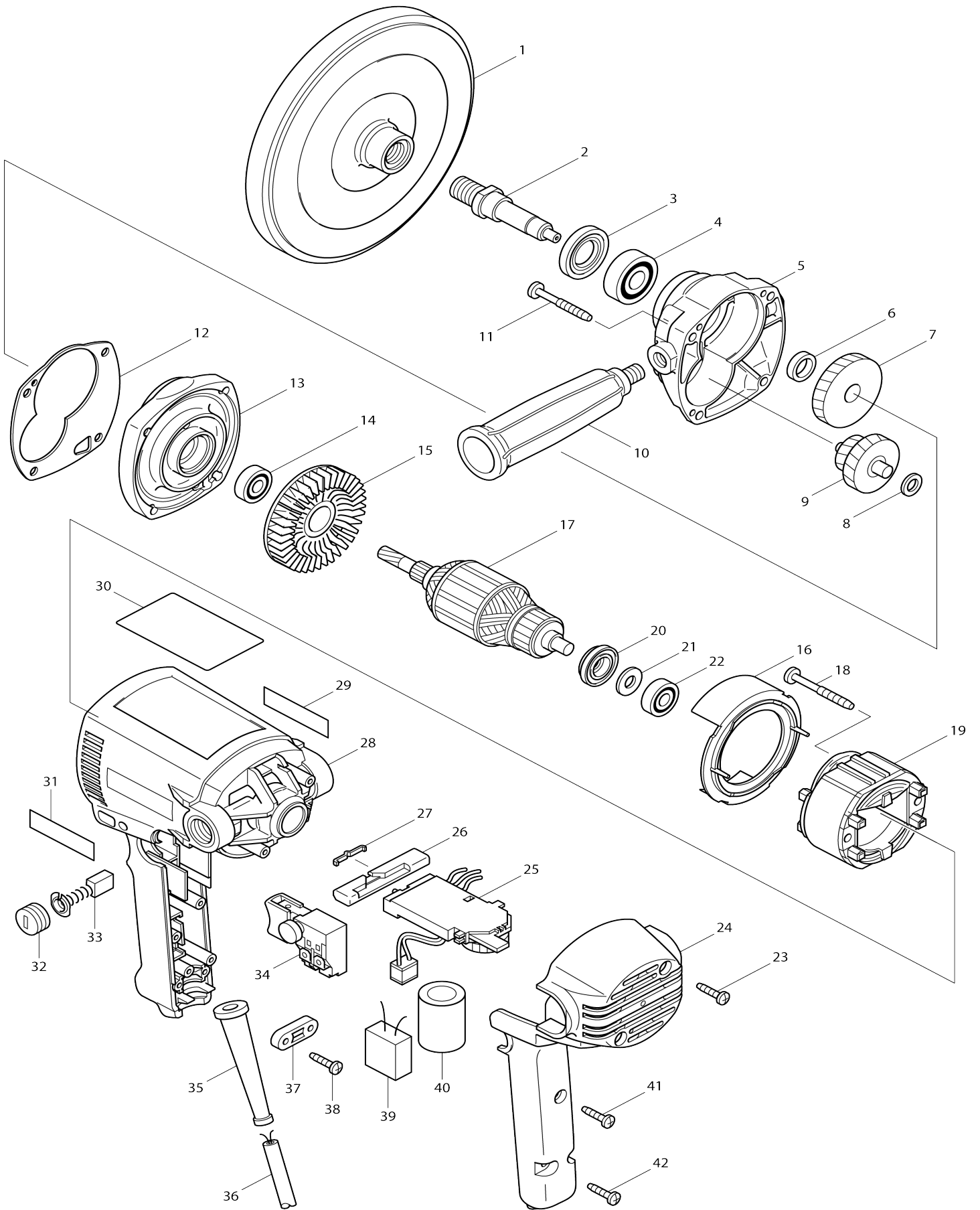


Model No. PV7000C POLISHER 180MM



Model No.PV7000C POLISHER 180MM

Item No.	Parts No.	Description	Interchangability	Q'ty	New/Old	Note1	Note2
001	743053-3	PAD 165		1			
002	324079-0	SPINDLE		1			
003	152690-6	BEARING RETAINER COMPLETE		1			
C10	213209-7	OIL SEAL 16		1			
004	211129-9	BALL BEARING 6201DDW		1			
005	152691-4	GEAR HOUSING COMPLETE		1	*		
C10	210018-5	BALL BEARING 626		1	*		
005-1	153318-9	GEAR HOUSING COMPLETE	<	1			
C10	210018-5	BALL BEARING 626		1			
006	257707-1	SLEEVE 12		1			
007	226536-3	HELICAL GEAR 43		1			
008	253215-0	FLAT WASHER 8		1			
009	226141-6	GEAR COMPLETE 21-44		1			
010	273649-1	GRIP 34		1			
011	266211-9	TAPPING SCREW 5X40		4			
012	442132-1	GASKET		1	*		
012-1	417837-2	GASKET	<	1			
013	152692-2	GEAR HOUSING COVER COMPLETE		1	*		
C10	212016-5	NEEDLE BEARING 609		1	*		
C20	214028-4	PLANE BEARING 8		1	*		
013-1	153319-7	GEAR HOUSING COVER COMPLETE	<	1			
C10	212016-5	NEEDLE BEARING 609		1			
C20	214028-4	PLANE BEARING 8		1			
014	210005-4	BALL BEARING 608DDW		1			
015	240020-4	FAN 65		1			
016	413077-0	BAFFLE PLATE		1	*		
016-1	419721-7	BAFFLE PLATE	<	1			
017	516433-4	ARMATURE ASS'Y 220-240V		1			
D10		INC. 14,15,20-22					
018	266056-5	TAPPING SCREW 5X45		2			
019	599013-1	FIELD ASS'Y 220-240V		1			
C10	654020-2	RING TERMINAL		2			
C20	654501-6	CONNECTOR P-1.25		2			
020	681660-3	INSULATION WASHER		1			
021	253139-0	FLAT WASHER 8		1			
022	210005-4	BALL BEARING 608DDW		1			
023	265995-6	TAPPING SCREW 4X18		2			
024	417450-6	HANDLE COVER		1			
025	631427-9	CONTROLLER		1			
026	417449-1	LEVER		1			
027	232201-4	LEAF SPRING		1			
028	183300-4	MOTOR HOUSING SET		1			
D10		INC. 29,31					
029	819063-3	MAKITA LABEL		1			
030	852814-1	NAME PLATE PV7000C		1			
031	819063-3	MAKITA LABEL		1			

032	643750-0	BRUSH HOLDER CAP 7-11		2	*		
032-1	643515-0	HOLDER CAP 7-11	O	2			
033	191963-2	CARBON BRUSH CB-303		1			
034	651297-0	SWITCH		1			
035	682559-5	CORD GUARD 8		1			
036A_	695034-2	POWER SUPPLY CORD 1.0-2-4.0		1			
037A_	687052-4	STRAIN RELIEF		1			
038	265995-6	TAPPING SCREW 4X18		2			
039	645253-0	NOISE SUPPRESSOR		1			
040	685722-9	SPONGE		1	*		
041	265995-6	TAPPING SCREW 4X18		1			
042	265995-6	TAPPING SCREW 4X18		2			
043	417793-6	COVER		1			
044	256157-7	PIN 3		1			
A01	781008-0	WRENCH 17		1			
E01	652257-5	CLAMP WASHER		4			
E02	654205-0	EARTH TERMINAL		1			

Please state Parts No. when your order.

Print Date 25/10/2023