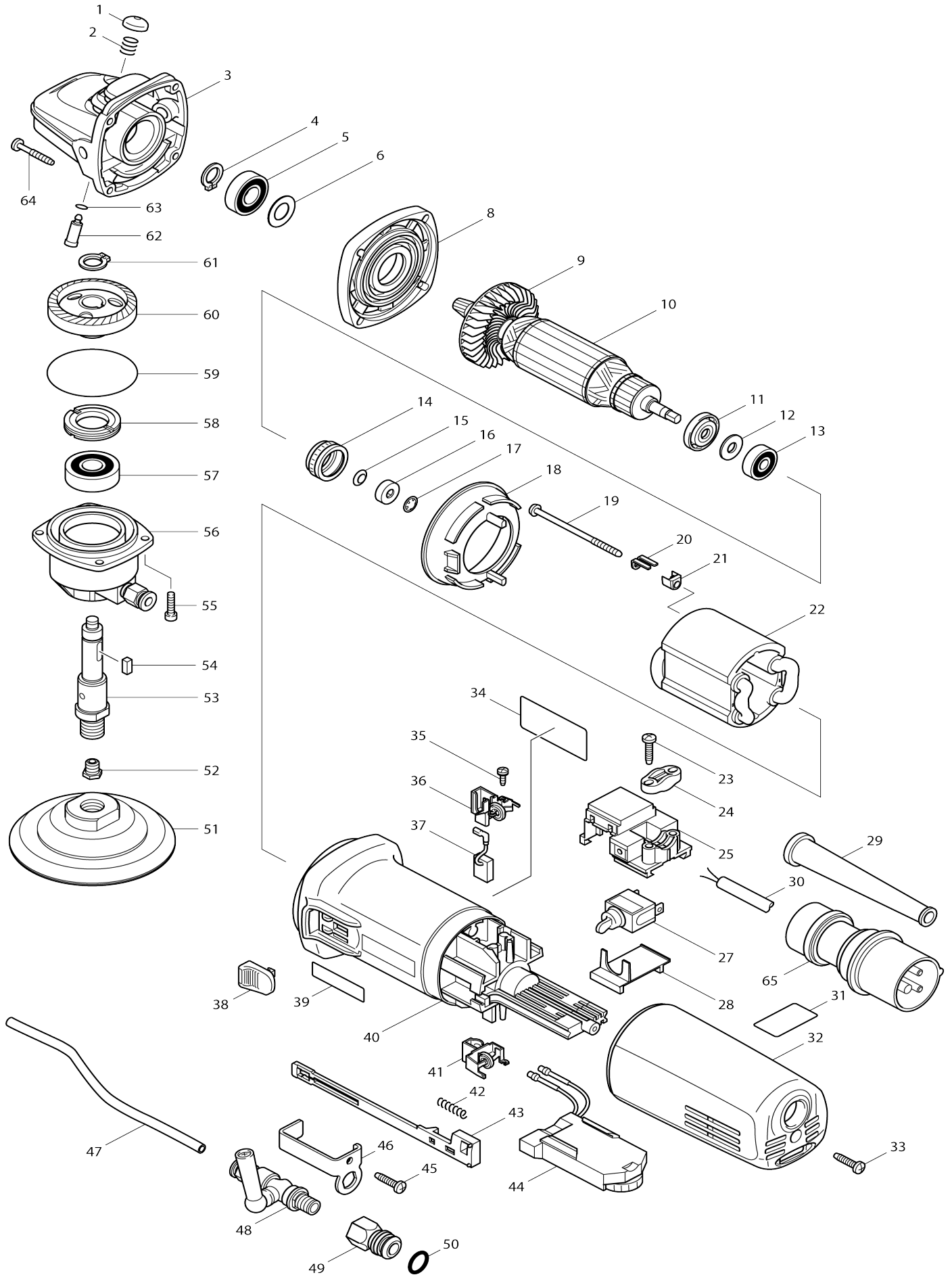


# Model No.PW5000C STONE POLISHER 125MM



Model No.PW5000C STONE POLISHER 125MM

Item No.	Parts No.	Description	Interchangability	Q'ty	New/Old	Note1	Note2
001	417236-8	PIN CAP		1	*		
001-1	418067-8	PIN CAP	S	1			
002	233072-2	COMPRESSION SPRING 8		1			
003	153718-3	GEAR HOUSING COMPLETE		1	*		
003-1	153488-4	GEAR HOUSING COMPLETE	S	1			
004	961052-5	RETAINING RING (EXT) S-12		1			
005	211131-2	BALL BEARING 6001DDW		1	*		
005-1	210105-0	BALL BEARING 6001LLU	<	1			
006	253084-9	FLAT WASHER 12		1			
008	317359-1	GEAR HOUSING COVER		1			
009	240033-5	FAN 57		1			
010	515266-4	ARMATURE ASS'Y 115V		1			
D10		INC. 9,11,12,13					
011	681656-4	INSULATION WASHER		1			
012	253823-7	FLAT WASHER 7		1			
013	210027-4	BALL BEARING 627DDW		1			
014	421738-8	LABYRINTH RUBBER RING 22		1	*		
014-1	422750-1	LABYRINTH RUBBER RING 22	<	1			
015	267756-0	WAVE WASHER 6		1			
016	688117-5	MAGNET SLEEVE		1			
017	259039-2	SELF LOCK 6		1			
018	413076-2	BAFFLE PLATE		1			
019	266258-3	TAPPING SCREW 4X70		2			
020	344871-8	RETAINER		2			
021	417237-6	INSULATION COVER		2			
022	626546-4	FIELD 115V		1			
023	265995-6	TAPPING SCREW 4X18		2			
024	687052-4	STRAIN RELIEF		1			
025	632945-0	SWITCH BLOCK		1			
027	651418-4	SWITCH ST115A-40		1	*		
027-1	651418-4	SWITCH ST115A-40	O	1			
028	687113-0	COVER		1			
029	682566-8	CORD GUARD 10		1			
030	665937-4	POWER SUPPLY CORD 1.0-2-5.0		1			
031	816398-3	INDICATION LABEL		1			
032	418453-3	REAR COVER		1			
033	265995-6	TAPPING SCREW 4X18		1			
034	860101-4	Name plate PW5000C		1			
035	266256-7	TAPPING SCREW PT3X10		4			
036	643765-7	BRUSH HOLDER		1			
037	191978-9	A.C. CARBON BRUSH CB-318		1			
038	417813-6	SWITCH KNOB		1			
039	819080-3	MAKITA LABEL		1	*		
040	183740-6	MOTOR HOUSING		1	*		
D10		INC. 39					
040-1	418512-3	MOTOR HOUSING	<	1			
041	643805-1	Brush holder		1			

042	233071-4	COMPRESSION SPRING 4		1		
043	417186-7	SWITCH LEVER		1		
044	631595-8	Controller		1		
045	265995-6	TAPPING SCREW 4X18		1		
046	345372-9	PLATE		1		
047	245031-4	HOSE		1		
048	153716-7	COCK COMPLETE		1	*	
C10	243098-6	JOINT		1	*	
048-1	154649-9	COCK COMPLETE	<	1		
C10	243098-6	JOINT		1		
049	331669-2	HOSE JOINT		1		
050	213107-5	O RING 12		1		
051	743080-0	PAD 100		1		
052	324407-9	NOZZLE		1	*	
052-1	325967-4	NOZZLE	<	1		
053	324409-5	SPINDLE		1		
054	254202-2	KEY 4		1		
055	265490-6	HEX. SOCKET HEAD BOLT M4X16		4		
056	153717-5	BEARING BOX COMPLETE		1		
C10	213280-1	OIL SEAL 17		2		
C20	243098-6	JOINT		1		
057	211129-9	BALL BEARING 6201DDW		1		
058	285841-7	BEARING RETAINER		1		
059	213673-2	O RING 52		1		
060	227455-6	SPIRAL BEVEL GEAR 38		1		
061	961052-5	RETAINING RING (EXT) S-12		1		
062	256459-1	PIN		1		
063	213048-5	O RING 6		1		
064	266257-5	TAPPING SCREW 4X28		4		
065	655033-6	PLUG		1		
066	267126-3	FLAT WASHER 22		1		
067	261128-1	RUBBER WASHER 12		1		
068	261127-3	FLUOROPLASTIC WASHER 10		1	*	
068-1	261127-3	FLUOROPLASTIC WASHER 10	O	1	*	
068-2	261127-3	FLUOROPLASTIC WASHER 10	O	1	*	
068-3	261127-3	FLUOROPLASTIC WASHER 10	O	1		
A01	152490-4	GRIP 36 COMPLETE		1		
A02	265083-9	+ FLAT HEAD SCREW M8X11		2		
A03	417322-5	HEAD COVER		1		
A04	781008-0	WRENCH 17		1		

Please state Parts No. when your order.

Print Date 25/10/2023