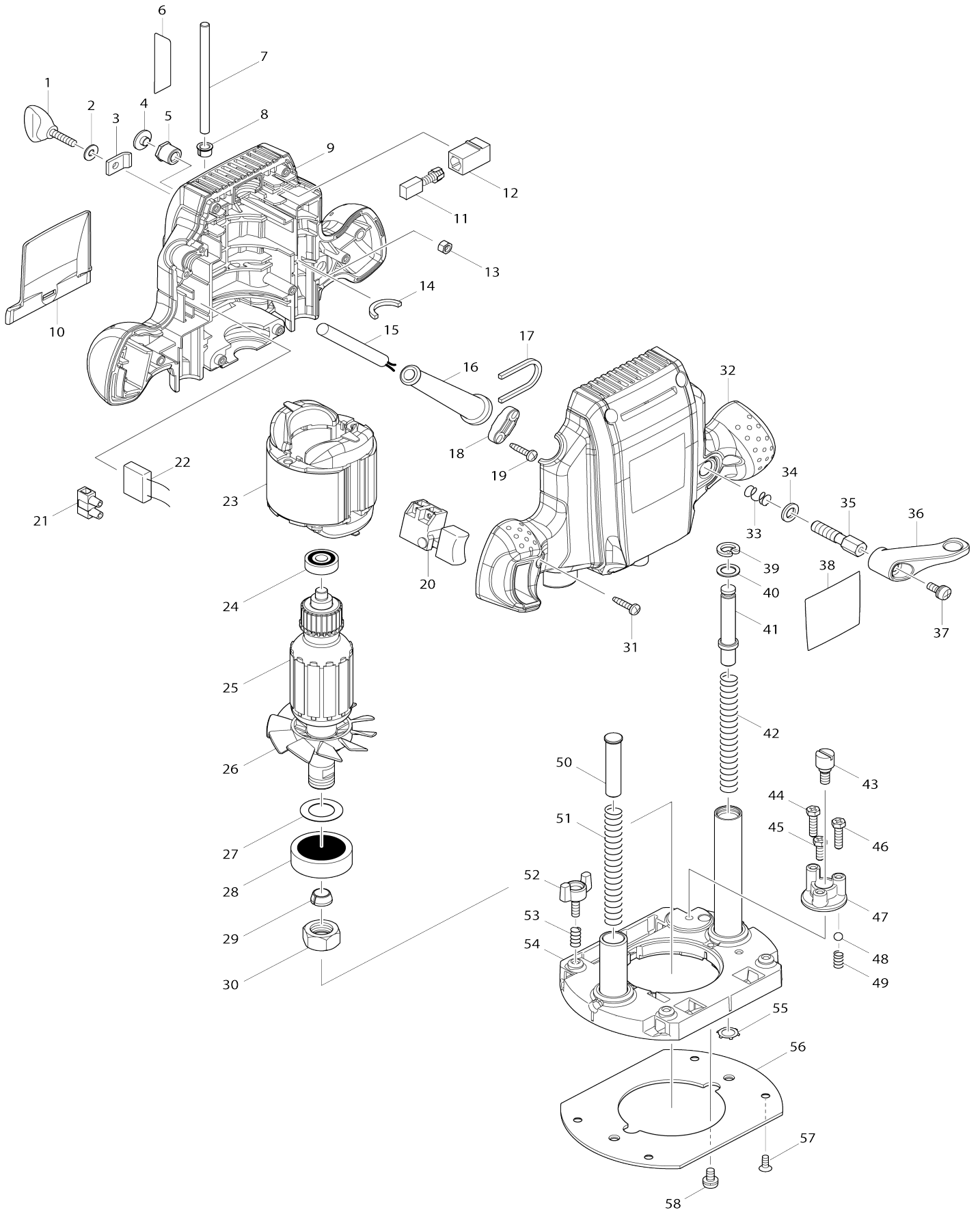


Model No.RP0900 ROUTER



Model No.RP0900 ROUTER

Item No.	Parts No.	Description	Interchangability	Q'ty	New/Old	Note1	Note2
001	251878-6	SCREW M5X20		1			
002	941101-4	FLAT WASHER 5		1			
003	346007-5	PRESSURE PLATE		1			
004	424156-9	RUBBER CAP		1	*		
005	252094-3	HEX. NUT M8		1			
006	816924-8	SCALE LABEL		1			
007	321948-6	STOPPER POLE		1			
008	451035-8	DEPTH POINTER		1			
009	188696-8	HOUSING SET		1	*		
C10	263002-9	RUBBER PIN 4		3	*		
C20	263005-3	RUBBER PIN 6		1	*		
D10		INC. 13,32					
009-1	183V42-2	HOUSING SET	<	1			
C10	263002-9	RUBBER PIN 4		3			
C20	263005-3	RUBBER PIN 6		1			
D10		INC. 13,32					
010	450820-6	CHIP DEFLECTOR		1			
011	181410-1	CARBON BRUSH CB-106		1	*		
011-1	194976-2	CARBON BRUSH SET CB-106	O	1			
012	643601-7	BRUSH HOLDER 6-10		2			
013	931202-6	HEX. NUT M5		1			
014	443073-4	FELT		1			
015	665865-3	POWER SUPPLY CORD 1.0-2-2.5		1			
016	682504-0	CORD GUARD 10-85		1			
017	443074-2	FELT		1			
018	687124-5	STRAIN RELIEF		1			
019	266326-2	TAPPING SCREW 4X18		2			
020	651280-7	SWITCH SGE115CDY-5		1			
021	654532-5	TERMINAL BLOCK 1P		1			
022	645200-1	NOISE SUPPRESSOR		1			
023	594594-0	FIELD ASS'Y 240V		1	*		
C10	654037-5	INSULATED TERM. FT1.25-M3		2	*		
C12	654409-4	TERMINAL VR1.25-3.5LB	O	2	*		
023-1	590054-0	FIELD ASS'Y 240V	O	1			
C12	654409-4	TERMINAL VR1.25-3.5LB	O	2			
024	210044-4	BALL BEARING 608DDW		1	*		
024-1	210200-6	BALL BEARING 608DDW	O	1			
025	513779-9	ARMATURE ASS'Y 240V		1			
D10		INC. 24,26-28					
026	241835-2	FAN 72		1	*		
026-1	240123-4	FAN 72	<	1			
027	267114-0	FLAT WASHER 17		1			
028	211278-2	BALL BEARING 6203DDW		1			
029	763618-5	COLLET CONE 8MM		1			
030	763615-1	COLLET NUT		1			
031	266326-2	TAPPING SCREW 4X18		7			
032	188696-8	HOUSING SET		1	*		

C10	263002-9	RUBBER PIN 4		3	*		
C20	263005-3	RUBBER PIN 6		1	*		
D10		INC. 9,13					
032-1	183V42-2	HOUSING SET	<	1			
C10	263002-9	RUBBER PIN 4		3			
C20	263005-3	RUBBER PIN 6		1			
D10		INC. 9,13					
033	233110-0	COMPRESSION SPRING 8		1			
034	941202-8	FLAT WASHER 8		1			
035	266460-8	SET BOLT M8		1	*		
035-1	266920-0	SET BOLT M8	S	1			
036	450821-4	LEVER 47		1			
037	911213-7	PAN HEAD SCREW M5X12		1			
038	866313-7	RP0900 NAME PLATE		1			
039	962065-9	RETAINING RING R-15		1			
040	267047-9	FLAT WASHER 10		1			
041	415992-4	PIN 10		1	*		
041-1	451524-3	PIN 10	<	1			
042	231416-0	COMPRESSION SPRING 10		1			
043	251447-3	- FLAT HEAD SCREW M6		1			
044	265587-1	+HEX. BOLT M5X20		1			
045	265586-3	+HEX. BOLT M5X14		1			
046	265587-1	+HEX. BOLT M5X20		1			
047	135264-8	STOPPER ASS'Y		1			
D10		INC. 43-46					
048	216022-2	STEEL BALL 7.0		1			
049	231419-4	COMPRESSION SPRING 5		1			
050	256651-9	PIN 10		1			
051	231417-8	COMPRESSION SPRING 10		1			
052	265761-1	THUMB SCREW M5X16		2			
053	231240-1	COMPRESSION SPRING 7		2			
054	158808-7	BASE COMPLETE		1			
055	259019-8	SELF LOCK 15		2			
056	450819-1	BASE PLATE		1			
057	912112-6	COUNTERSUNK HEAD SCREW M4 X10		4			
058	911206-4	PAN HEAD SCREW M5X10		2			
A01	164834-6	STRAIGHT GUIDE		1			
A02	781006-4	WRENCH 13		1	*		
A02-1	781039-9	WRENCH 13	O	1			
A03	781011-1	WRENCH 22		1			
A04	763636-3	COLLET CONE 6MM		1			
A05	194733-8	DUST NOZZLE SET		1	*		
C10	213022-3	O RING 3		1	*		
C20	265774-2	THUMB SCREW M4X19		1	*		
A05-1	194733-8	DUST NOZZLE SET	<	1			
C10	213022-3	O RING 3		2			
C20	265774-2	THUMB SCREW M4X19		1			
A06	824880-8	PLASTIC CARRYING CASE		1			
C10	163455-1	LATCH		2			
F02	199140-0	GUIDE RAIL 1000 SET		1			
F03	199141-8	GUIDE RAIL 1500 SET		1			

F04	194368-5	GUIDE RAIL 1400 SET		1		
F05	194925-9	GUIDE RAIL 1900 SET		1		
F06	194367-7	GUIDE RAIL 3000 SET		1		
F07	194416-0	SHEET 10000 SET		1		
F08	194417-8	RUBBER SHEET 10000 SET		1		
F09	194418-6	POSITION SHEET 1400 SET		1		
F10	194910-2	POSITION SHEET 1900 SET		1		
F60	195136-9	STRAIGHT GUIDE SET		1		
F61	195137-7	ROD 8 SET		1		
A06	821550-0	CONNECTOR PLASTIC CASE (TYPE2)		1	*	
C10	453974-8	LATCH		4	*	
A06-1	821550-0	CONNECTOR PLASTIC CASE (TYPE2)	<	1		
C10	453974-8	LATCH		4		
A07	837646-7	INNER TRAY		1		
A08	801F23-5	RP0900J INDICATION LABEL		1		
A09	801F24-3	RP0900J PLASTIC CASE LABEL		2		

Please state Parts No. when your order.

Print Date 03/01/2024