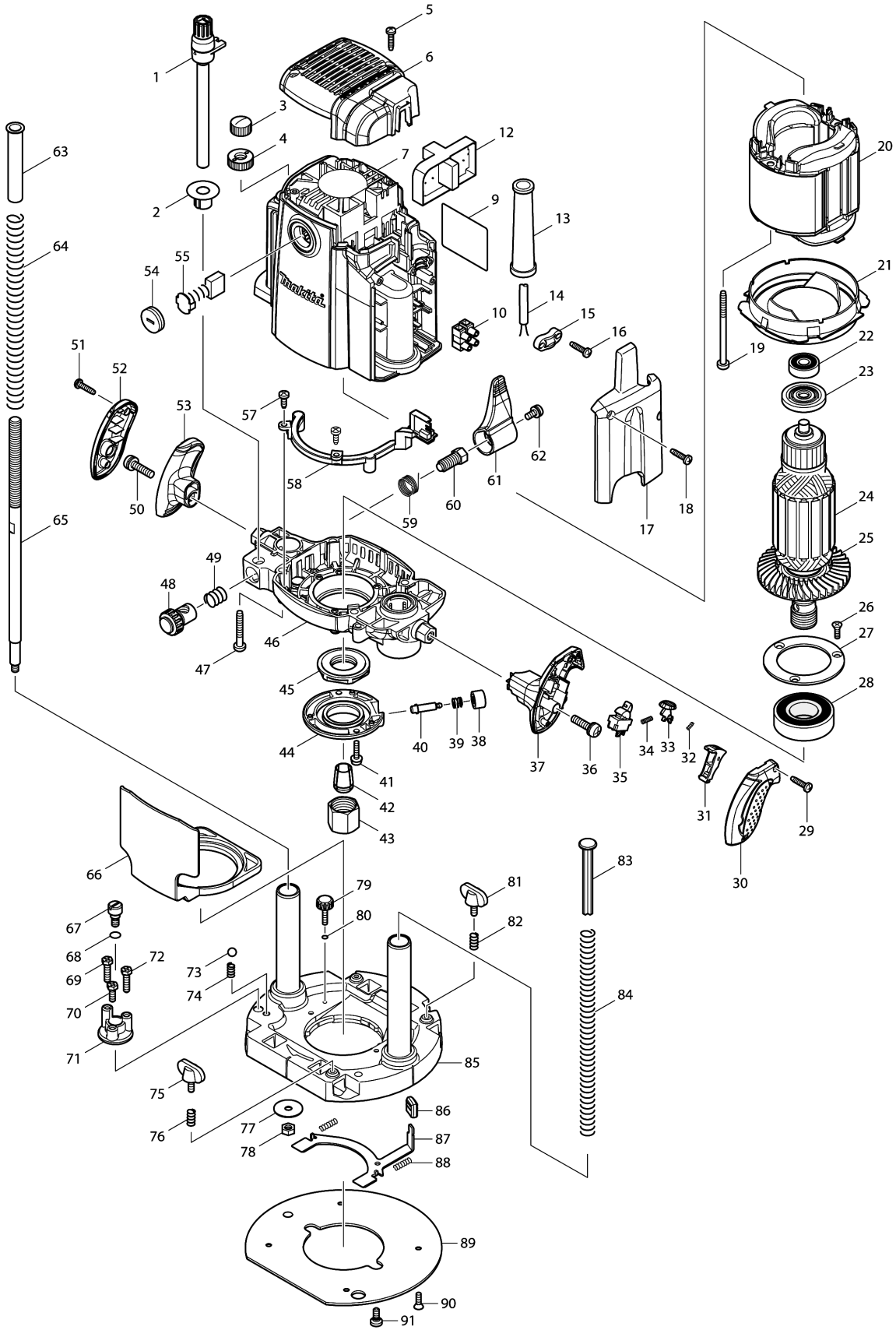


Model No.RP1800F ROUTER



Model No.RP1800F ROUTER

Item	Parts No.	Description	I/C	Qty	New/Old	Opt. 1	Opt. 2	Note
001	125542-4	THUMB SCREW M10X115 ASS'Y		1				
002	450946-4	DEPTH POINTER		1				
003	252643-6	WING NUT M10		1				
004	410129-8	NYLON NUT M10		1				
005	265995-6	TAPPING SCREW 4X18		2				
006	450948-0	REAR COVER		1				
007	158977-4	MOTOR HOUSING COMPLETE		1				
C10	643707-1	BRUSH HOLDER		2				
C20	638647-6	SUPPORT UNIT		1				
C30	816923-0	SCALE PLATE		1				
009	866371-3	RP1800F NAME PLATE		1				
010	654531-7	TERMINAL BLOCK 2P		1				
012-1	620082-2	POWER SUPPLY CIRCUIT		1				
013	682505-8	CORD GUARD 10-90		1				
014	665890-4	POWER SUPPLY CORD 1.0-2-4.0		1				
015	687052-4	STRAIN RELIEF		1				
016	265995-6	TAPPING SCREW 4X18		2				
017	450949-8	COVER		1				
018	265995-6	TAPPING SCREW 4X18		2				
019	266059-9	TAPPING SCREW 5X75		2				
020	636339-1	FIELD 240V		1				
021	450944-8	BUFFLE PLATE		1				
022	211092-6	BALL BEARING 629DDW		1				
023	681671-8	INSULATION WASHER		1				
024	517799-5	ARMATURE ASS'Y 240V		1				
D10		INC. 22,23,25						
025	240112-9	FAN 80		1				
026	251295-0	+ COUNTERSUNK HEAD SCREW M4X14		3				
027	285731-4	BEARING RETAINER 60		1				
028	211380-1	BALL BEARING 6205DDW		1				
029	265995-6	TAPPING SCREW 4X18		2				
030	450937-5	GRIP COVER R		1				
031-1	450940-6	SWITCH LEVER		1				
032	233024-3	COMPRESSION SPRING 4		1				
033	450941-4	LOCK OFF BUTTON		1				
034	231372-4	COMPRESSION SPRING 5		1				
035	651432-0	SWITCH		1				
036	911343-4	PAN HEAD SCREW M6X25		1				
037	450936-7	GRIP R		1				
038	450942-2	PUSH BUTTON		1				
039	233072-2	COMPRESSION SPRING 8		1				
040	268234-3	COLLARED PIN 6		1				
041	911133-5	PAN HEAD SCREW M4X18		2				
042	763628-2	COLLET CONE 12MM		1				

Please order the parts with part number.

Print Date 15/12/2023

Model No.RP1800F ROUTER

Item	Parts No.	Description	I/C	Qty	New/Old	Opt. 1	Opt. 2	Note
043	763674-5	COLLET NUT		1				
044	318382-9	RETAINER COVER		1				
045	285849-1	RETAINER		1				
046	158972-4	MOTOR BRACKET COMPLETE		1				
047	266012-5	TAPPING SCREW 5X35		4				
048	153476-1	HALF NUT COMPLETE		1				
049	231231-2	COMPRESSION SPRING 12		1				
050	911343-4	PAN HEAD SCREW M6X25		1				
051	265995-6	TAPPING SCREW 4X18		2				
052	450939-1	GRIP COVER L		1				
053	450938-3	GRIP L		1				
054	643700-5	BRUSH HOLDER CAP 7-18		2				
055	191953-5	CARBON BRUSH CB-203		1	*			
055-1	194991-6	CARBON BRUSH SET CB203	O	1				
057	266026-4	TAPPING SCREW BIND CT 4X12		2				
058	631862-1	LED CIRCUIT		1				
059	233538-2	TORSION SPRING 15		1				
060	266015-9	SET BOLT M10		1	*			
060-1	265C75-6	SET BOLT M10	O	1				
061	450950-3	LOCK LEVER		1				
062	911213-7	PAN HEAD SCREW M5X12		1				
063	450943-0	SILENT POLE		1				
064	234106-4	COMPRESSION SPRING 13		1				
065	325652-9	SCREW M10		1				
066	450953-7	TIP DEFLECTOR		1				
067	251467-7	- FLAT HEAD SCREW M6		1				
068	213030-4	O RING 8		1				
069	265587-1	+HEX. BOLT M5X20		1				
070	265586-3	+HEX. BOLT M5X14		1				
071	315931-3	STOPPER		1				
072	265587-1	+HEX. BOLT M5X20		1				
073	216009-4	STEEL BALL 7.1		1				
074	231419-4	COMPRESSION SPRING 5		1				
075	265720-5	THUMB SCREW M5X14		1				
076	231240-1	COMPRESSION SPRING 7		1				
077	253783-3	FLAT WASHER 6		1				
078	931303-0	HEX. NUT M6		1				
079	265774-2	THUMB SCREW M4X19		1				
080	213022-3	O RING 3		1				
081	265720-5	THUMB SCREW M5X14		1				
082	231240-1	COMPRESSION SPRING 7		1				
083	417252-0	POLE		1				
084	234105-6	COMPRESSION SPRING 11		1				
085	158973-2	BASE COMPLETE		1				
086	424176-3	CAP 14		1				

Please order the parts with part number.

Print Date 15/12/2023

Model No.RP1800F ROUTER

Item	Parts No.	Description	I/C	Qty	New/Old	Opt. 1	Opt. 2	Note
087	346032-6	LOCK PLATE		1				
088	233105-3	COMPRESSION SPRING 4		2				
089	450951-1	BASE PLATE		1				
090	912112-6	COUNTERSUNK HEAD SCREW M4X10		4				
091	266016-7	SET BOLT M5X10		2				
A01	122850-4	DUST NOZZLE ASS'Y		1				
C10	213022-3	O RING 3		1				
C20	265774-2	THUMB SCREW M4X19		1				
A02	266491-7	+PAN HEAD SCREW M6X135		1	*			
A02-1	265C70-6	+PAN HEAD SCREW M6X135 WITH R	S	1				
A03	763801-4	COLLET SLEEVE FOR 6 MM BIT		1				
A04	763804-8	COLLET SLEEVE FOR 8 MM BIT		1				
A05	781030-7	WRENCH 24		1				
A06	941152-7	FLAT WASHER 6		1	*			
A07-1	194935-6	STRAIGHT GUIDE SET		1				
C11	125582-2	THUMB SCREW M10X52 ASS'Y		1				
C16	231399-4	COMPRESSION SPRING 15		1				
C21	251870-2	SCREW M6X50		1				
C26	256864-2	ROD 10		2				
C31	257284-3	RING 10		1				
C36	265720-5	THUMB SCREW M5X14		2				
C41	266035-3	TAPPING SCREW BIND CT 5X12		1				
C46	267070-4	FLAT WASHER 10		1				
C51	267209-9	FLAT WASHER 5		1				
C56	318383-7	STRAIGHT GUIDE		1				
C61	318384-5	GUIDE HOLDER		1				
C66	346069-3	PRESSURE PLATE		1				
C71	450954-5	GUIDE SHOE		2				
C76	819284-7	MAKITA LOGO LABEL		1				
C81	911129-6	PAN HEAD SCREW M4X16		4				
C86	961012-7	STOP RING E-6		1				
C91	941251-5	FLAT WASHER 10		1				
A08	821552-6	CONNECTOR PLASTIC CASE (TYPE4)		1	*			
C10	453974-8	LATCH		4	*			
A08-1	821552-6	CONNECTOR PLASTIC CASE (TYPE4)	<	1				
C10	453974-8	LATCH		4				
A09	837647-5	INNER TRAY		1				
A10	801F34-0	RP1800FXJ INDICATION LABEL		1				
A11	801F35-8	RP1800FXJ PLASTIC CASE LABEL		2				
F01	199140-0	GUIDE RAIL 1000 SET		1				
F02	199141-8	GUIDE RAIL 1500 SET		1				

Please order the parts with part number.

Print Date 15/12/2023

Model No.RP1800F ROUTER

Item	Parts No.	Description	I/C	Qty	New/Old	Opt. 1	Opt. 2	Note
F03	194368-5	GUIDE RAIL 1400 SET		1				
F04	194925-9	GUIDE RAIL 1900 SET		1				
F05	194367-7	GUIDE RAIL 3000 SET		1				
F06	194416-0	SHEET 10000 SET		1				
F07	194417-8	RUBBER SHEET 10000 SET		1				
F08	194418-6	POSITION SHEET 1400 SET		1				
F69	194934-8	DUST NOZZLE SET		1				
F72	195136-9	STRAIGHT GUIDE SET		1				
F73	195137-7	ROD 8 SET		1				

Please order the parts with part number.

Print Date 15/12/2023