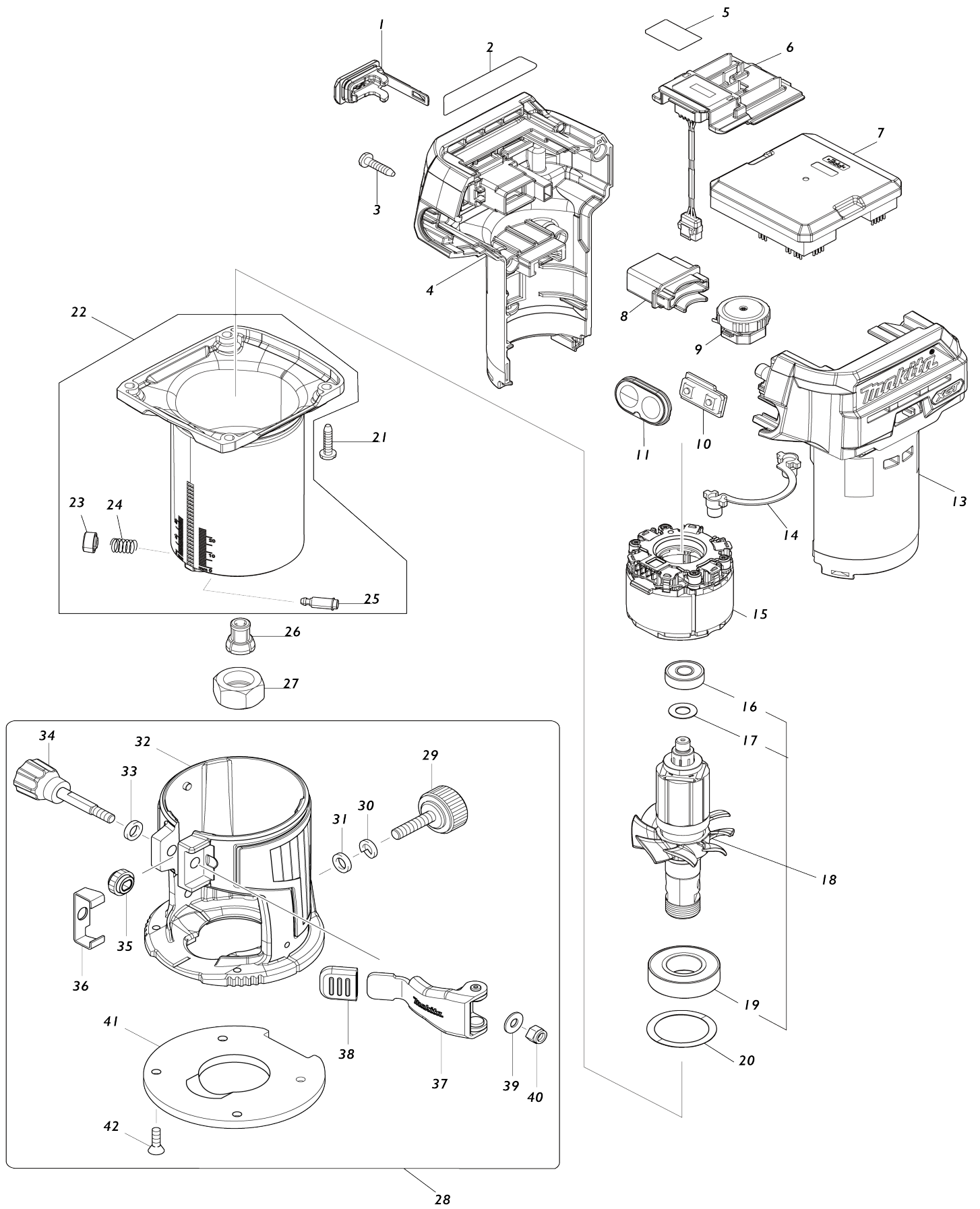


Model No. RT001G CORDLESS TRIMMER



Model No.RT001G CORDLESS TRIMMER

Item No.	Parts No.	Description	Interchangability	Q'ty	New/Old	Note1	Note2
001	140F99-0	CAP COMPLETE		1			
C10	213A05-9	O-RING16		1			
002	8116J2-5	RT001G NAME PLATE		1			
003	266326-2	TAPPING SCREW 4X18		4			
004	183V78-1	HOUSING SET		1			
C10	263005-3	RUBBER PIN 6		2			
C20	8007R2-2	XGT LOGO LABEL		1			
D10		INC. 13					
005	8116J9-1	RT001G SERIAL NO. LABEL		1			
006	632P49-4	TERMINAL UNIT		1			
007	620H85-4	CONTROLLER		1			
008	413E39-8	DIAL COVER		1			
009	620H86-2	DIAL CIRCUIT		1			
010	620H87-0	SWITCH CIRCUIT		1			
011	144662-5	SWITCH PLATE COMPLETE		1			
013	183V78-1	HOUSING SET		1			
C10	263005-3	RUBBER PIN 6		2			
C20	8007R2-2	XGT LOGO LABEL		1			
D10		INC. 4					
014	620721-4	LED CIRCUIT		1			
015	629B02-5	STATOR		1			
016	210017-7	BALL BEARING 607DDW		1			
017	253186-1	FLAT WASHER 7		1			
018	519735-7	ROTOR ASS'Y		1			
D10		INC. 16,17,19					
019	210301-0	BALL BEARING 6003DDW		1			
020	253906-3	WAVE WASHER 26		1			
021	266326-2	TAPPING SCREW 4X18		4			
022	136686-5	OUTER HOUSING ASS'Y		1			
D10		INC. 23-25					
023	452468-0	PUSH BUTTON		1			
024	233127-3	COMPRESSION SPRING 7		1			
025	256437-1	PIN 4		1			
026	763636-3	COLLET CONE 6MM		1			
027	763615-1	COLLET NUT		1			
028	196613-4	TRIMMER BASE SET		1			
D10		INC. 29-42					
029	265763-7	THUMB SCREW M6X25		1			
030	253428-3	SPRING WASHER 6		1			
031	941151-9	FLAT WASHER 6		1			
032	142403-3	TRIMMER BASE COMPLETE		1			
033	941151-9	FLAT WASHER 6		1			
034	265792-0	THUMB SCREW M5X35		1			
035	227262-7	SPUR GEAR 16		1			
036	346392-6	CAM PLATE		1			
037	163524-8	LOCK LEVER COMPLETE		1			
038	424396-9	RUBBER CAP		1			

039	941101-4	FLAT WASHER 5		1		
040	252103-8	HEX. LOCK NUT M5-8		1		
041	454842-8	BASE PROTECTOR		1		
042	912112-6	COUNTERSUNK HEAD SCREW M4 X10		4		
A01	122965-7	STRAIGHT GUIDE ASSEMBLY		1		
C10	252649-4	THUMB NUT M6		1		
C20	266339-3	CAP SQUARE NECK BOLT M6X20		1		
C30	346382-9	GUIDE PLATE		1		
A02	195559-1	DUST NOZZLE SET		1		
C10	265774-2	THUMB SCREW M4X19		1		
A03	343577-5	TEMPLET GUIDE 10		1		
A04	781011-1	WRENCH 22		1		
A05	781039-9	WRENCH 13		1		
F25	194367-7	GUIDE RAIL 3000 SET		1		
F26	194368-5	GUIDE RAIL 1400 SET		1		
F28	194416-0	SHEET 10000 SET		1		
F29	194417-8	RUBBER SHEET 10000 SET		1		
F30	194418-6	POSITION SHEET 1400 SET		1		
F34	194910-2	POSITION SHEET 1900 SET		1		
F36	194925-9	GUIDE RAIL 1900 SET		1		
F39	195136-9	STRAIGHT GUIDE SET		1		
F40	195137-7	ROD 8 SET		1		
F59	196615-0	TRIMMER BASE SET (12PCS)		1		
F60	196664-7	BEVEL GUIDE SET		1		
G08	199140-0	GUIDE RAIL 1000 SET		1		
G09	199141-8	GUIDE RAIL 1500 SET		1		
A13	195563-0	PLUNGE BASE SET		1		
D10		COMPO-PARTS				
A16	194733-8	DUST NOZZLE SET		1		
C10	265774-2	THUMB SCREW M4X19		1		
C20	213022-3	O RING 3		2		
A07	763618-5	COLLET CONE 8MM		1		
A20	821552-6	CONNECTOR PLASTIC CASE (TYP E4)		1		
C10	453974-8	LATCH		4		
A21	8049K7-7	RT001GZ12 PLASTIC CASE LABEL		2		
A22	8049J3-8	RT001GZ12 INDICATION LABEL		1		
A23	837247-1	TRAY		1		
A08	344364-5	TEMPLET GUIDE 16		1		
A12	122703-7	TRIMMER GUIDE ASS'Y		1		
C10	251471-6	- FLAT HEAD SCREW M5		1		
C20	265135-6	+ COUNTERSUNK HEAD SCREW M4X10		1		
C30	265763-7	THUMB SCREW M6X25		1		
C40	265764-5	THUMB SCREW M6		1		
C50	317788-8	GUIDE HOLDER		1		
C60	324378-0	ROLLER 11		1		
C70	341136-9	HOOK		1		
C80	941151-9	FLAT WASHER 6		1		
A14	198987-9	TILT BASE SET		1		
A15	153489-2	GRIP 36 COMPLETE		1		

A17	195564-8	GUIDE HOLDER SET		1		
C10	252649-4	THUMB NUT M6		1		
C20	256850-3	ROD 8		2		
C30	266339-3	CAP SQUARE NECK BOLT M6X20		1		
A21	8049K8-5	RT001GZ13 PLASTIC CASE LABEL		2		
A22	8049J4-6	RT001GZ13 INDICATION LABEL		1		
A24	D-30209	ROUTER BIT 3PCS/SET MM		1		

Please state Parts No. when your order.

Print Date 11/06/2023