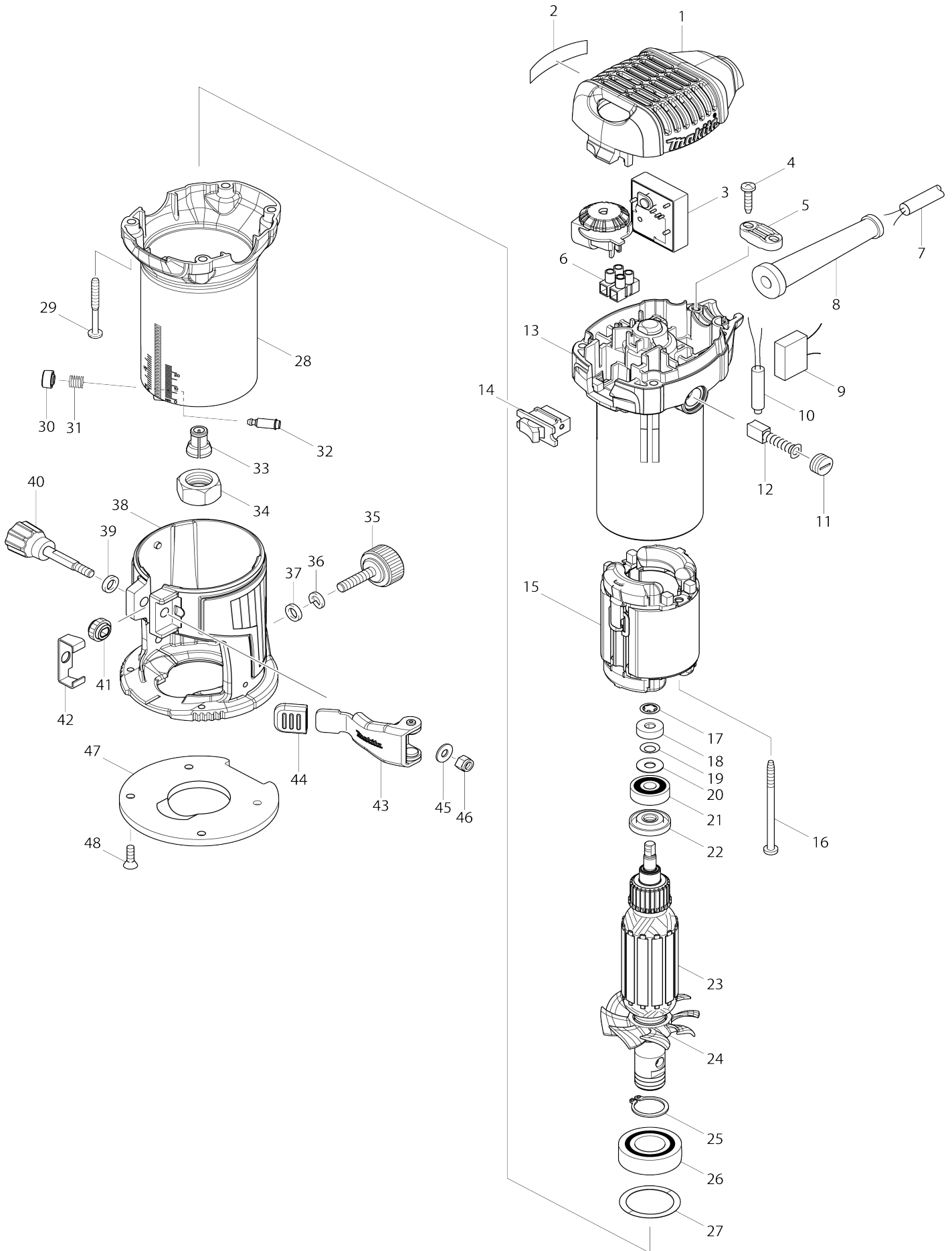


Model No. RT0700C TRIMMER



Model No.RT0700C TRIMMER

Item No.	Parts No.	Description	Interchangeability	Q'ty	New/Old	Note1	Note2
001	452465-6	TOP COVER		1	*		
001-1	413E90-8	TOP COVER	S	1			
002	869668-9	RT0700C NAME PLATE		1			
003	620040-8	CONTROLLER		1			
004	266326-2	TAPPING SCREW 4X18		2			
005	687124-5	STRAIN RELIEF		1			
006	654542-2	TERMINAL BLOCK 2P		1			
007	695034-2	POWER SUPPLY CORD 1.0-2-4.0		1			
008	682569-2	CORD GUARD 8-85		1			
009	645200-1	NOISE SUPPRESSOR		1			
010	646133-3	CHOKE COIL		1			
011	643550-8	BRUSH HOLDER CAP 5-8		2			
012	191940-4	CARBON BRUSH CB-411		1			
013	140736-0	BRACKET COMPLETE		1	*		
C10	643455-2	BRUSH HOLDER 6X9		2	*		
013-1	141N79-7	BRACKET COMPLETE	S	1			
C10	643455-2	BRUSH HOLDER 6X9		2			
014	651527-9	SWITCH		1			
015	633769-7	FIELD 240V		1	*		
015-1	593769-8	FIELD ASS'Y 240V	<	1			
C10	654100-4	RING TERMINAL		1			
C20	654501-6	CONNECTOR P-1.25		1	*		
C21	654485-8	PARALLEL SPLICE	O	1			
016	266340-8	TAPPING SCREW 4X65		2			
017	259039-2	SELF LOCK 6		1			
018	688174-3	MAGNET SLEEVE		1	*		
018-1	688117-5	MAGNET SLEEVE	O	1			
019	253332-6	THIN WASHER 6		1			
020	267756-0	WAVE WASHER 6		1			
021	210023-2	BALL BEARING 627DDW		1			
022	681668-7	INSULATION WASHER		1	*		
022-1	681668-7	INSULATION WASHER	O	1			
023	515844-0	ARMATURE ASS'Y 240V		1	*		
D10		INC. 17-22,24-26					
023-1	510532-4	ARMATURE ASS'Y 240V	O	1	*		
D10		INC. 17-22,24-26					
023-2	515844-0	ARMATURE ASS'Y 240V	<	1			
D10		INC. 17-22,24-26					
024	240125-0	FAN 55		1			
025	961057-5	RETAINING RING S-17		1			
026	210301-0	BALL BEARING 6003DDW		1	*		
026-1	210268-2	BALL BEARING 6003DDW	O	1	*		
026-2	210301-0	BALL BEARING 6003DDW	<	1			
027	253906-3	WAVE WASHER 26		1			
028	140735-2	OUTER HOUSING COMPLETE		1	*		
028-1	140735-2	OUTER HOUSING COMPLETE	O	1			
029	266560-4	TAPPING SCREW 4X40		4			

030	452468-0	PUSH BUTTON		1		
031	233127-3	COMPRESSION SPRING 7		1		
032	256437-1	PIN 4		1		
033	763636-3	COLLET CONE 6MM		1		
034	763615-1	COLLET NUT		1		
035	265763-7	THUMB SCREW M6X25		1		
036	942151-2	SPRING WASHER 6		1	*	
036-1	253428-3	SPRING WASHER 6	O	1		
037	941151-9	FLAT WASHER 6		1		
038	140739-4	TRIMMER BASE COMPLETE		1	*	
038-1	142403-3	TRIMMER BASE COMPLETE	<	1		
039	941151-9	FLAT WASHER 6		1		
040	265792-0	THUMB SCREW M5X35		1		
041	227262-7	SPUR GEAR 16		1		
042	346392-6	CAM PLATE		1		
043	163524-8	LOCK LEVER COMPLETE		1		
044	424396-9	RUBBER CAP		1		
045	941101-4	FLAT WASHER 5		1		
046	252103-8	HEX. LOCK NUT M5-8		1		
047	413149-1	BASE PROTECTOR		1	*	
047-1	454842-8	BASE PROTECTOR	<	1		
048	912112-6	COUNTERSUNK HEAD SCREW M4 X10		4		
A01	122965-7	STRAIGHT GUIDE ASSEMBLY		1		
C10	252649-4	THUMB NUT M6		1		
C20	266339-3	CAP SQUARE NECK BOLT M6X20		1		
C30	346382-9	GUIDE PLATE		1		
A02	195559-1	DUST NOZZLE SET		1		
C10	265774-2	THUMB SCREW M4X19		1		
A03	343577-5	TEMPLER GUIDE 10		1		
A04	763618-5	COLLET CONE 8MM		1		
A05	781011-1	WRENCH 22		1		
A06	781039-9	WRENCH 13		1		
F23	194367-7	GUIDE RAIL 3000 SET		1		
F24	194368-5	GUIDE RAIL 1400 SET		1		
F26	194416-0	SHEET 10000 SET		1		
F27	194417-8	RUBBER SHEET 10000 SET		1		
F28	194418-6	POSITION SHEET 1400 SET		1		
F30-1	196664-7	BEVEL GUIDE SET	O	1		
F33	194910-2	POSITION SHEET 1900 SET		1		
F35	194925-9	GUIDE RAIL 1900 SET		1		
F38	195136-9	STRAIGHT GUIDE SET		1		
F39	195137-7	ROD 8 SET		1		
G19-1	196615-0	TRIMMER BASE SET (12PCS)	<	1		
G34	199140-0	GUIDE RAIL 1000 SET		1		
G35	199141-8	GUIDE RAIL 1500 SET		1		
G41	191R13-1	GUIDE RAIL ADAPTER SET		1		
A07	194733-8	DUST NOZZLE SET		1		
C10	213022-3	O RING 3		2		
C20	265774-2	THUMB SCREW M4X19		1		
A08	344364-5	TEMPLER GUIDE 16		1		
A09	122703-7	TRIMMER GUIDE ASS'Y		1		

C10	251471-6	- FLAT HEAD SCREW M5		1		
C20	265135-6	+ COUNTERSUNK HEAD SCREW M4X10		1		
C30	265763-7	THUMB SCREW M6X25		1		
C40	265764-5	THUMB SCREW M6		1		
C50	317788-8	GUIDE HOLDER		1		
C60	324378-0	ROLLER 11		1		
C70	341136-9	HOOK		1		
C80	941151-9	FLAT WASHER 6		1		
A10	195563-0	PLUNGE BASE SET		1		
D10		COMPO-PARTS				
A11	195561-4	TILT BASE SET		1	*	
D10		COMPO-PARTS				
A11-1	198985-3	TILT BASE SET	O	1	*	
A11-2	198987-9	TILT BASE SET	<	1		
A12	153489-2	GRIP 36 COMPLETE		1		
A13	195564-8	GUIDE HOLDER SET		1		
C10	252649-4	THUMB NUT M6		1		
C20	256850-3	ROD 8		2		
C30	266339-3	CAP SQUARE NECK BOLT M6X20		1		
A14	831327-5	TOOL BAG		1		
004-1	265B67-9	TAPPING SCREW 4X18	O	2		
008-1	682502-4	CORD GUARD 8-85	O	1		
A07	821552-6	CONNECTOR PLASTIC CASE (TYP E4)		1	*	
C10	453974-8	LATCH		4	*	
A07-1	821552-6	CONNECTOR PLASTIC CASE (TYP E4)	<	1		
C10	453974-8	LATCH		4		
A08	837247-1	TRAY		1		
A09	801E81-5	RT0700CJ INDICATION LABEL		1		
A10	801E82-3	RT0700CJ PLASTIC CASE LABEL		2	*	
A10-1	8009T1-0	RT0700CJ PLASTIC CASE LABEL	O	2		
A02	194733-8	DUST NOZZLE SET		1		
C10	213022-3	O RING 3		2	*	
C11	213A67-7	O-RING 3	O	2		
A03	195559-1	DUST NOZZLE SET		1		
C10	265774-2	THUMB SCREW M4X19		1		
A04	343577-5	TEMPLET GUIDE 10		1		
A05	763618-5	COLLET CONE 8MM		1		
A06	781011-1	WRENCH 22		1		
A07	781039-9	WRENCH 13		1		
A14	821552-6	CONNECTOR PLASTIC CASE (TYP E4)		1	*	
C10	453974-8	LATCH		4	*	
A14-1	821552-6	CONNECTOR PLASTIC CASE (TYP E4)	<	1		
C10	453974-8	LATCH		4		
A15	837247-1	TRAY		1		
A16	801E83-1	RT0700CX2J INDICATION LABEL		1		
A17	801E84-9	RT0700CX2J PLASTIC CASE LABEL		2	*	
A17-1	8009T3-6	RT0700CX2J PLASTIC CASE LABEL	O	2		
A16	801N88-5	RT0700CX5J INDICATION LABEL		1		

A17	801N89-3	RT0700CX5J PLASTIC CASE LABEL		2	*		
A17-1	8009T7-8	RT0700CX5J PLASTIC CASE LABEL	O	2			
A18	D-30209	ROUTER BIT 3PCS/SET MM		1			

Please state Parts No. when your order.

Print Date 25/10/2023