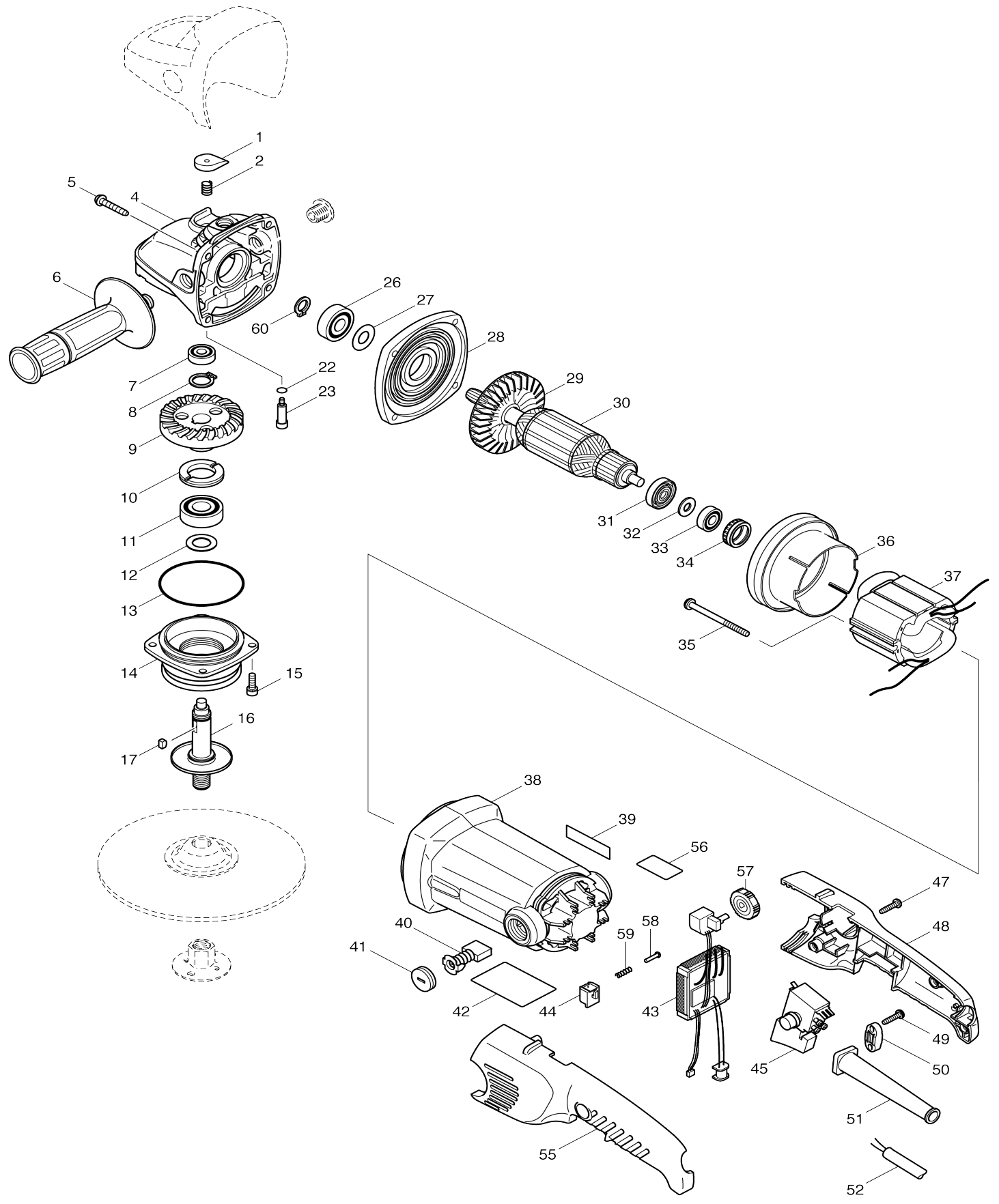


Model No.SA7000C ANGLE SANDER 180MM



Model No.SA7000C ANGLE SANDER 180MM

Item No.	Parts No.	Description	Interchangability	Q'ty	New/Old	Note1	Note2
001	418517-3	PIN CAP		1			
002	231037-8	COMPRESSION SPRING 7		1			
004	317752-9	GEAR HOUSING		1	*		
004-1	318817-0	GEAR HOUSING	O	1			
005	266173-1	TAPPING SCREW 5X30		4			
006	152539-0	GRIP 36 COMPLETE		1			
007	211031-6	BALL BEARING 608LLB		1	*		
007-1	210043-6	BALL BEARING 608LLB	O	1			
008	961055-9	RETAINING RING S-15		1			
009	227460-3	SPIRAL BEVEL GEAR 43		1			
010	285809-3	BEARING RETAINER 23-36		1			
011	211228-7	BALL BEARING 6202DDW		1			
012	267215-4	FLAT WASHER 15		1			
013	213720-9	O RING 67		1			
014	317754-5	BEARING BOX		1			
014-1	312D21-7	BEARING BOX	<	1			
015	922221-3	HEX. SOCKET HEAD BOLT M5X16		4			
016	153785-8	SPINDLE COMPLETE		1			
017	254011-9	WOODRUFF KEY 4		1			
022	213026-5	O RING 7		1			
023	256483-4	SHOULDER PIN 7		1			
026	211106-1	BALL BEARING 6201LLB		1			
027	253759-0	FLAT WASHER 12		1			
028	317753-7	GEAR HOUSING COVER		1			
029	240070-9	FAN 76		1			
030	513574-7	ARMATURE ASS'Y 220-240V		1			
D10		INC. 29,31-33					
031	681660-3	INSULATION WASHER		1			
032	267281-1	FLAT WASHER 8		1			
033	210005-4	BALL BEARING 608DDW		1			
034	421720-7	RUBBER RING 22		1			
035	266029-8	TAPPING SCREW 5X65		2			
036	418528-8	BUFFLE PLATE		1			
037	625708-1	FIELD 220-240V		1	*		
037-1	625708-1	FIELD 220-240V	O	1			
038	183778-1	MOTOR HOUSING		1	*		
C10	643712-8	BRUSH HOLDER		2	*		
D10		INC. 39					
038-1	153786-6	MOTOR HOUSING COMPLETE	<	1			
C10	643712-8	BRUSH HOLDER		2			
039	819063-3	MAKITA LABEL		2	*		
040	191957-7	A.C. CARBON BRUSH CB-204		1			
041	643700-5	BRUSH HOLDER CAP 7-18		2			
042	860298-9	NAME PLATE SA7000C		1			
043	631600-1	CONTROLLER		1			
044	418518-1	SLEEVE		1			
045	650213-9	SWITCH TG71ARS		1			

047	265995-6	TAPPING SCREW 4X18		4		
048	183784-6	HANDLE SET		1	*	
D10		INC. 55				
048-1	183784-6	HANDLE SET	O	1		
D10		INC. 55				
049	265995-6	TAPPING SCREW 4X18		2		
050	687052-4	STRAIN RELIEF		1	*	
050-1	687124-5	STRAIN RELIEF	O	1		
051	682573-1	CORD GUARD 10		1		
052	665865-3	POWER SUPPLY CORD 1.0-2-2.5		1		
055	183784-6	HANDLE SET		1	*	
D10		INC. 48				
055-1	183784-6	HANDLE SET	O	1		
D10		INC. 48				
056	816814-5	INDICATION LABEL		1		
057	271420-7	DIAL 28		1		
058	255058-6	RIVET 2		1		
059	233002-3	COMPRESSION SPRING 3		1		
060	961052-5	RETAINING RING (EXT) S-12		1		
A01	224515-5	SANDING LOCK NUT 14-48		1		
A02	265136-4	+ ROUND HEAD SCREW M14X10		2		
A03	418529-6	HEAD COVER		1		
A04	743012-7	RUBBER PAD 170		1		
A05	782407-9	LOCK NUT WRENCH 35		1	*	
A05-1	782034-2	LOCK NUT WRENCH 35	O	1		

Please state Parts No. when your order.

Print Date 25/10/2023