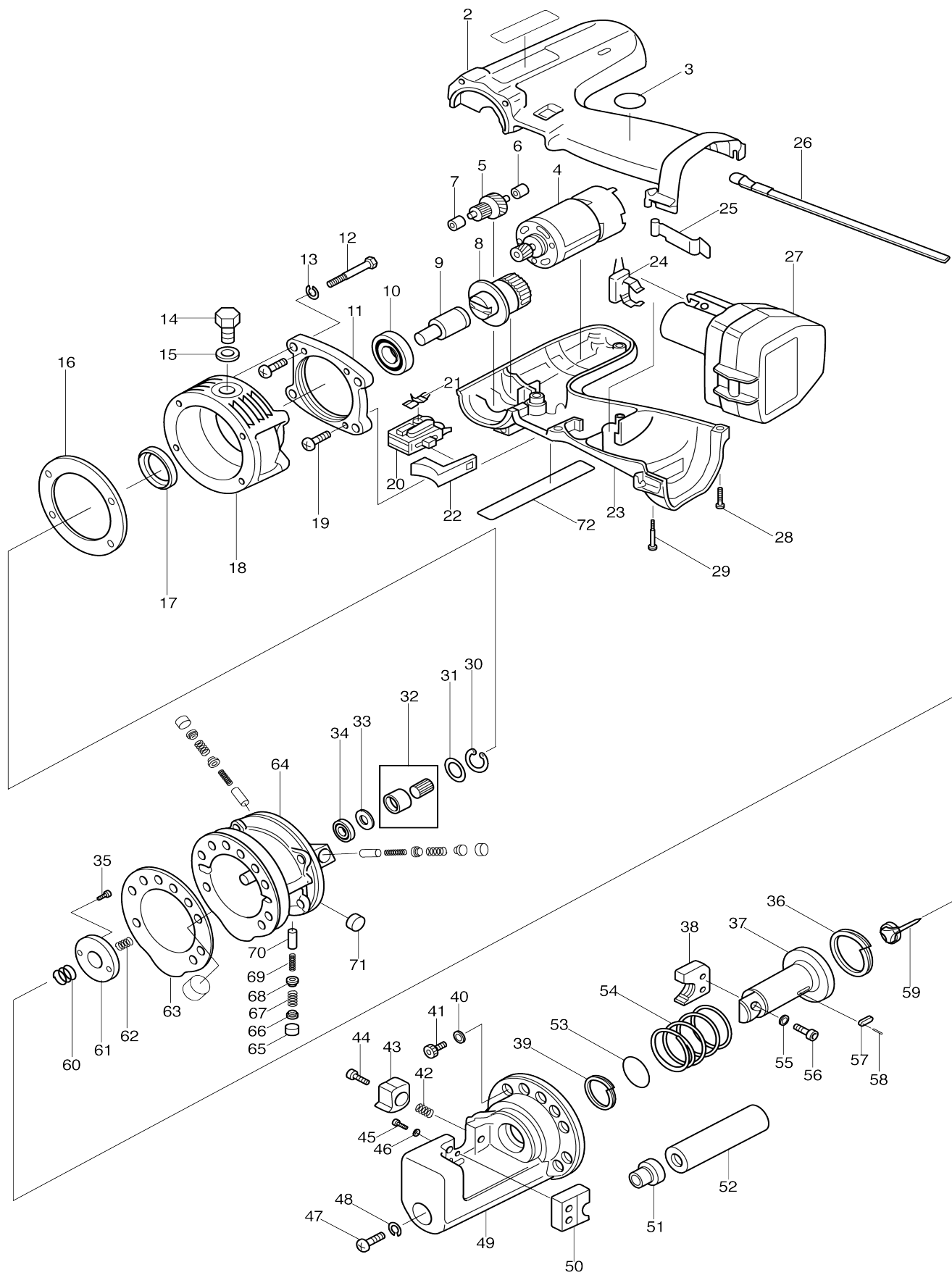


Model No.SC120D CORDLESS THREADED ROD CUTTER



Model No.SC120D CORDLESS THREADED ROD CUTTER

Item No.	Parts No.	Description	Interchangeability	Q'ty	New/Old	Note1	Note2
001	819063-3	MAKITA LABEL		1			
002	182637-6	Housing set (blue)		1			
D10		INC. 23					
003	818057-5	LABEL		1			
004	629638-8	DC MOTOR 12V		1			
C10	226404-0	HELICAL GEAR 15		1			
005	226118-1	Gear complete 15-38		1			
006	214027-6	PLANE BEARING 4		1			
007	214027-6	PLANE BEARING 4		1			
008	153222-2	Spindle complete		1			
C10	322636-8	Spindle		1			
C20	211104-5	BALL BEARING 6001		1			
C30	267083-5	Flat washer 20		1			
C40	261090-0	Rubber washer 20		1			
C50	226265-8	Spur gear 36		1			
009	SC00000486	ECCENTRIC SHAFT T45417		1			
010	SC00000050	BALL BEARING 6002RU		1			
011	SC00000491	INTERMEDIATE HOUSING T45415		1			
012	SC00000488	HEX. SOCKET HEAD BOLT M5X55		4			
013	942101-7	SPRING WASHER 5		4			
014	921522-6	HEX. BOLT M10X16		1			
015	SC00000489	SEAL WASHER WF10171.6		1			
016	SC00000478	LINER B #T45464		1			
017	SC00000484	OIL SEAL MSH15257		1			
018	SC00000460	BEARING HOUSING #T318814		1			
019	265925-7	TAPPING SCREW BT4X20		4			
020	651909-5	SWITCH C3KE		1	*		
020-1	650500-6	SWITCH	O	1			
021	414740-8	LEVER		1			
022	415671-4	SWITCH LEVER		1			
023	182637-6	Housing set (blue)		1			
D10		INC. 2					
024	643918-8	BATTERY HOLDER		1			
025	343579-1	SET PLATE		1			
026	163319-9	HAND STRAP		1			
027	192536-4	BATTERY 1202 SET		1			
028	265925-7	TAPPING SCREW BT4X20		6			
029	911138-5	P.H.SCREW M4X20 WITH WR		1			
030	SC00000487	STOP RING H19		1			
031	SC00000467	NEEDLE BEARING HOLDER B T45422		1			
032	SC00000466	NEEDLE BEARING #RNAF81510		1			
033	SC00000465	NEEDLE BEARING HOLDER A T45421		1			
034	211007-3	BALL BEARING 625ZZ		1			
035	922102-1	HEX. SOCKET HEAD BOLT M4X6		2			
036	SC00000485	PACKING OSI50406		1			

037	SC00000461	CUTTER ROD #T45411		1		
038	SC00000508	CUTTER 8MM SET		1		
D10		INC. 50				
039	SC00000482	BACK UP RING P25		1		
040	941151-9	FLAT WASHER 6		9	*	
040-1	SC00000066	WASHER 6	X	9		
041	922322-7	HEX. SOCKET HEAD BOLT M6X16		9		
042	SC00000469	SPRING #T45470		1		
043	SC00000498	STOPPER FOR 6,8,10MM		1		
044	SC00000474	BOLT #T45452		1		
045	922212-4	HEX. SOCKET HEAD BOLT M5X12		4		
046	941101-4	FLAT WASHER 5		4		
047	SC00000034	SPECIAL PAN HEAD SCREW M8X20		1		
048	942201-3	SPRING WASHER 8		1		
049	SC00000458	CUTTER HEAD #T21336		1		
050	SC00000508	CUTTER 8MM SET		1		
D10		INC. 38				
051	SC00000490	BUSH T43694		1		
052	SC00000479	OIL LEVELER SACK T43693N1		1	*	
052-1	SC09004900	OIL LEVELER SACK	O	1		
053	SC00000483	O RING P25		1		
054	SC00000470	SPRING #T45424		1		
055	941101-4	FLAT WASHER 5		4		
056	922212-4	HEX. SOCKET HEAD BOLT M5X12		4		
057	SC00000480	KEY T45420		1		
058	SC00000070	SPRING PIN 2.5X10		1		
059	SC00000462	RELEASE VALVE #T45461		1		
060	SC00000471	SPRING #T45378		1		
061	SC00000481	STOPPER PLATE #45423		1		
062	SC00000472	SPRING #T45468		1		
063	SC00000477	LINER A #T45463		1		
064	SC00000459	CYLINDER #T31811		1		
065	SC00000076	URETHAN PACKING		3		
066	SC00000018	SPRING SUPPORTER		3		
067	SC00000022	PISTON RETURN SPRING		3	*	
067-1	SC00000468	SPRING #43449N2	X	3		
068	SC00000464	CHECK VALVE #T43445N1		3		
069	SC00000468	SPRING #43449N2		3	*	
069-1	SC00000022	PISTON RETURN SPRING	X	3		
070	SC00000463	PISTON #T45159		3		
071	SC00000020	MAGNET		2		
072A_	SC00000518	NAME PLATE SC120D		1		
A01	SC00000495	STEEL CASE		1	*	
A01-1	SC08100910	PLASTIC CARRYING CASE	O	1		
A02	SC00000496	INNER FITMENT		1		
A03	SC00000499	WRENCH 17-14		1		
A04	783201-2	HEX. WRENCH 3		1		
A05	783202-0	HEX. WRENCH 4		1		
A06	783203-8	HEX. WRENCH 5		1		
A07	SC00000516	STOPPER FOR 12MM		1		
A08	SC00000550	DIE M8		1		

B01	DEADC1209	DC1209 FAST CHARGER 230V		1			
B01A_	***DC1439	DC1439 FAST CHARGER		1			

Please state Parts No. when your order.

Print Date 22.11.2023