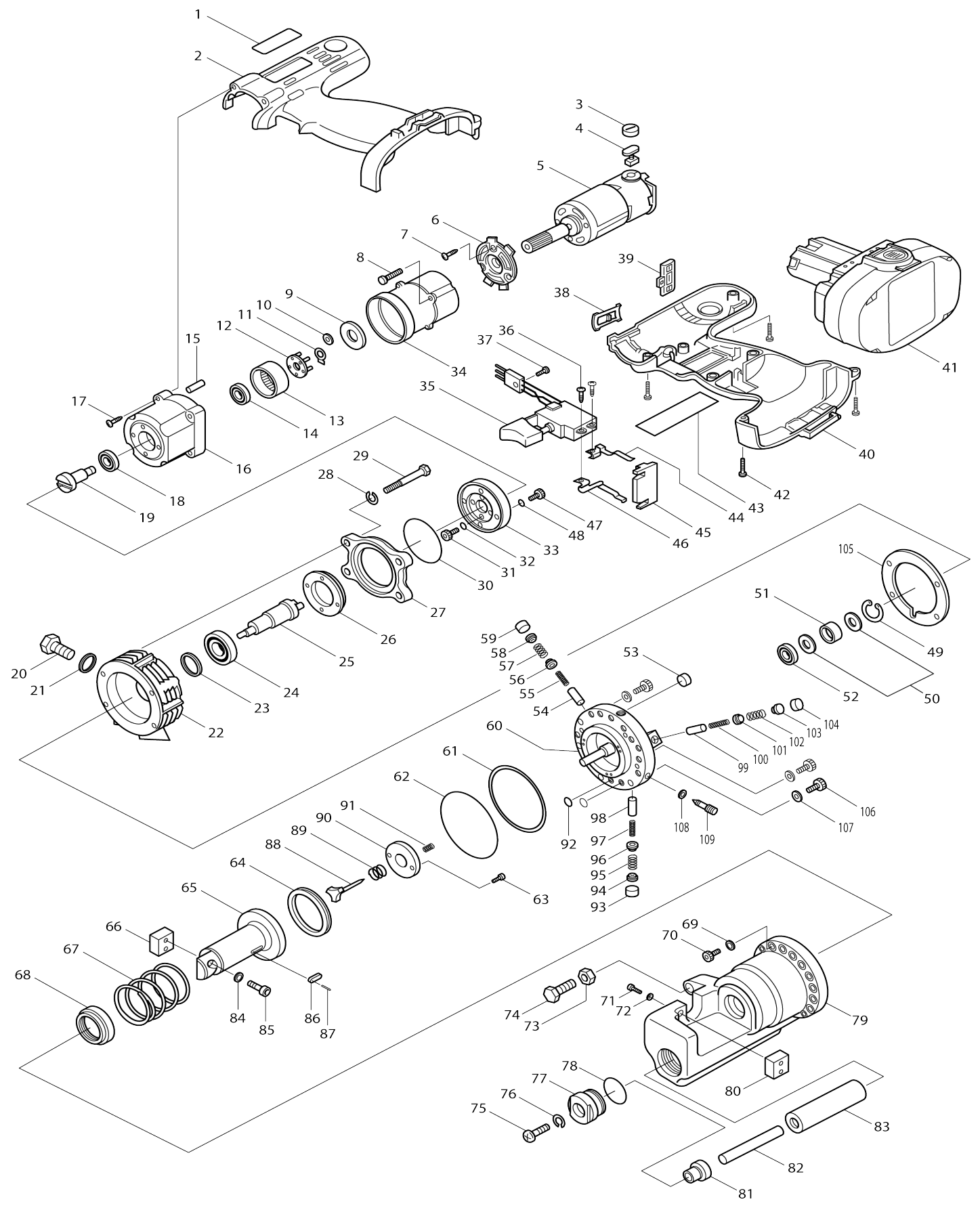


# Model No.SC190D CORDLESS STEEL ROD CUTTER



Model No.SC190D CORDLESS STEEL ROD CUTTER

Item No.	Parts No.	Description	Interchangability	Q'ty	New/Old	Note1	Note2
002	183032-3	HOUSING SET		1			
D10		INC.40					
003	643954-4	BRUSH HOLDER CAP		2			
004	191971-3	CARBON BRUSH CB-430		1			
005	629743-1	DC MOTOR		1			
D10		INC. 3,4					
006	317069-0	MOTOR BRACKET		1			
007	266134-1	TAPPING SCREW ST 4X8		3			
008	911017-7	PAN HEAD SCREW M3X12		4			
009	267187-3	FLAT WASHER 16		1			
010	226368-8	SPUR GEAR 14		5			
011	961004-6	RETAINING RING (EXT) S-8		1			
012	152594-2	CARRIER COMPLATE		1			
013	226397-1	INTERNAL GEAR 45		1			
014	211136-2	BALL BEARING 6801LLB		1			
015	256054-7	PIN 4		1			
016	317324-0	GEAR CASE B		1			
017	265999-8	TAPPING SCREW 4X25		4			
018	211136-2	BALL BEARING 6801LLB		1			
019	323970-9	SPINDLE		1			
020	921522-6	HEX. BOLT M10X16		1			
021	SC00000056	SEALING WASHER		1	*		
021-1	SC00000489	SEAL WASHER	O	1			
022	SC03213500	PUMP CASE		1			
023	SC00000054	OIL SEAL		1			
024	SC00000050	BALL BEARING 6002RU		1			
025	SC03501390	ECCENTRIC SHAFT		1			
026	SC03251400	THRUST FIXING FLANGE		1			
027	SC03221700	MOTOR FLANGE		1			
028	941152-7	FLAT WASHER 6		4			
029	922382-9	HEX. SOCKET HEAD BOLT M6X60		4			
030	SC06505500	O RING S60		1			
031	922127-5	HEX. SOCKET HEAD BOLT M4X16		4			
032	941052-1	FLAT WASHER 4		4			
033	SC03222300	MOTOR MOUNTING FLANGE		1			
034	416628-8	GEAR CASE A		1			
035	651968-9	SWITCH C3LA-2A		1	*		
035-1	651968-9	SWITCH C3LA-2A	O	1			
036	652038-7	PAN HEAD SCREW M3X8		2			
037	911006-2	PAN HEAD SCREW M3X8		1			
038	417151-6	COVER		1			
039	417150-8	LOCK LEVER		1			
040	183032-3	HOUSING SET		1			
D10		INC. 2					
041	192827-3	BATTERY 1822 SET		1			
042	266130-9	TAPPING SCREW BIND PT 3X16		8			
044	654168-0	SPRING TERMINAL (+)		1	*		

044-1	654168-0	SPRING TERMINAL (+)	<	1		
045	687085-9	HOLDER		1		
046	654169-8	SPRING TERMINAL (-)		1	*	
046-1	654169-8	SPRING TERMINAL (-)	<	1		
047	922127-5	HEX. SOCKET HEAD BOLT M4X16		4		
048	941052-1	FLAT WASHER 4		4		
049	SC07411020	RETAINING RING RTW-26		1		
050	SC00000019	NEEDLE BEARING SUPPORTER		2		
051	SC00000048	NEEDLE BEARING		1		
052	SC00000049	BALL BEARING 608		1		
053	SC00000020	MAGNET		3		
054	SC00000015	PISTON		1	*	
055	SC00000022	PISTON RETURN SPRING		1		
056	SC00000017	CHECK VALVE		1	*	
056-1	SC00000464	CHECK VALVE #T43445	O	1		
057	SC00000021	CHECK VALVE SPRING		1		
058	SC00000018	SPRING SUPPORTER		1		
059	SC00000076	URETHAN PACKING		1		
060	SC03206100	CYLINDER		1		
061	SC06503260	BACK UP RING G70		1		
062	SC06505350	O RING FOR CYLINDER G70		1		
063	922102-1	HEX. SOCKET HEAD BOLT M4X6		2		
064	SC00000096	ROD PACKING		1		
065	SC03112300	CUTTER ROD		1		
066	SC00000580	CUTTER BLADE SET		1		
D10		INC. 80				
067	SC04000050	RETURN SPRING FOR CUTTER ROD		1		
068	SC06503510	DUST SEAL		1		
069	SC07620040	WASHER HW8		11		
070	922441-9	HEX. SOCKET HEAD BOLT M8X25		11		
071	SC00000057	HEX. SOCKET HEAD BOLT 6X18		2		
072	941151-9	FLAT WASHER 6		2		
073	931601-2	HEX. NUT M12		1		
074	SC00000134	HOLD BOLT		1		
075	SC00000034	SPECIAL PAN HEAD SCREW M8X20		1		
076	942201-3	SPRING WASHER 8		1		
077	SC03507010	BUSHING HOLDER		1		
078	SC06505320	O RING P26		1		
079	SC03103200	BAR HOLDER		1		
080	SC00000580	CUTTER BLADE SET		1		
D10		INC. 66				
081	SC03507000	BUSHING		1		
083	SC09004910	OIL LEVELER SACK		1		
084	941101-4	FLAT WASHER 5		2		
085	SC00000098	HEX. SOCKET HEAD BOLT 5X15		2		
086	SC00000030	KEY		1	*	
086-1	SC03700020	KEY	O	1		
087	SC00000070	SPRING PIN 2.5X10		1		
088	SC03500310	RELEASE VALVE		1		
089	SC00000032	VALVE RETURN SPRING		1		

090	SC00000481	STOPPER PLATE #45423		1		
091	SC00000023	RELEASE VALVE SPRING		1		
092	SC06505010	O RING P6		2		
093	SC00000076	URETHAN PACKING		1		
094	SC00000018	SPRING SUPPORTER		1		
095	SC00000021	CHECK VALVE SPRING		1		
096	SC00000017	CHECK VALVE		1	*	
096-1	SC00000464	CHECK VALVE #T43445	O	1		
097	SC00000022	PISTON RETURN SPRING		1		
098	SC00000015	PISTON		1	*	
099	SC00000015	PISTON		1	*	
100	SC00000022	PISTON RETURN SPRING		1		
101	SC00000017	CHECK VALVE		1	*	
101-1	SC00000464	CHECK VALVE #T43445	O	1		
102	SC00000021	CHECK VALVE SPRING		1		
103	SC00000018	SPRING SUPPORTER		1		
104	SC00000076	URETHAN PACKING		1		
105	SC04601470	LINER B		1		
106	922432-0	HEX. SOCKET HEAD BOLT M8X20		3		
107	941202-8	FLAT WASHER 8		3		
108	SC06505300	O RING S4		1		
109	SC03501420	RETURN VALVE		1		
110	SC03505570	PROTECTIVE COVER		1		
A01	414938-7	BATTERY COVER		1		
A02	783201-2	HEX. WRENCH 3		1		
A03	783202-0	HEX. WRENCH 4		1		
A04	783203-8	HEX. WRENCH 5		1		
A05	783204-6	HEX. WRENCH 6		1		
A06	781212-1	WRENCH 17-19		1		
A07	SC08100920	PLASTIC CARRYING CASE		1	*	
C10	SC08100960	LATCH		2	*	
A07-1	SC09009190	PLASTIC CASE SET	O	1		
A08	SC00000106	OIL 35CC		1		
A09	***DC1801	DC1801 BATTERY CHARGER		1	*	
A09-1	***DC1803	DC1803 BATTERY CHARGER	<	1	*	
A09-2	***DC1804	DC1804 BATTERY CHARGER	O	1		

Please state Parts No. when your order.

Print Date 02/23/2024