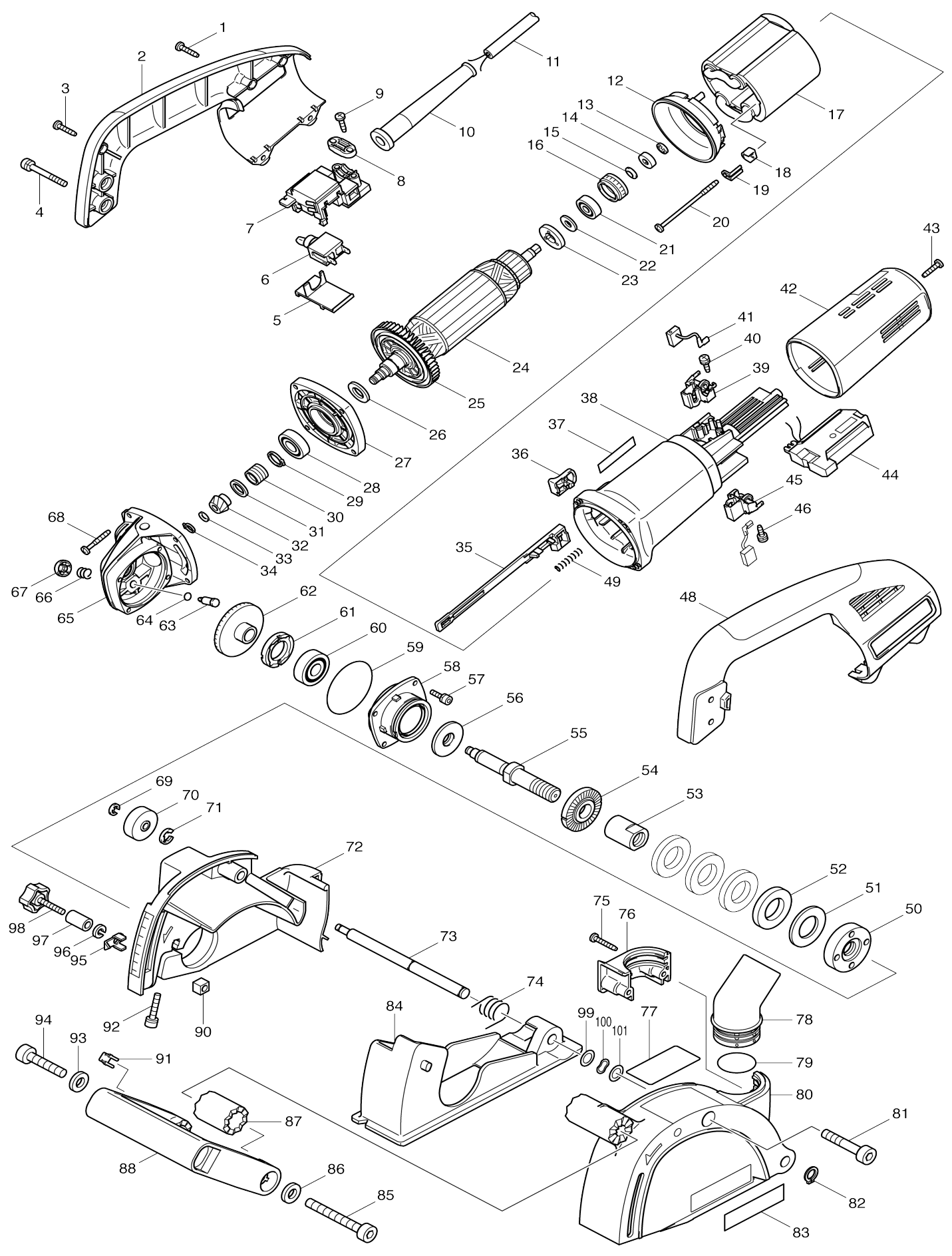


# Model No.SG1250 125MM WALL CHASER



Model No.SG1250 125MM WALL CHASER

Item No.	Parts No.	Description	Interchangability	Q'ty	New/Old	Note1	Note2
001	265995-6	TAPPING SCREW 4X18		4			
002	183692-1	HANDLE SET		1			
D10		INC. 48					
003	265995-6	TAPPING SCREW 4X18		1			
004	911263-2	PAN HEAD SCREW M5X40		2			
005	687113-0	COVER		1			
006	651418-4	SWITCH ST115A-40		1	*		
006-1	651418-4	SWITCH ST115A-40	O	1			
007	632945-0	SWITCH BLOCK		1			
008	687052-4	STRAIN RELIEF		1			
009	265995-6	TAPPING SCREW 4X18		2			
010	682566-8	CORD GUARD 10		1			
011	665883-1	POWER SUPPLY CORD 1.0-2-5.0		1			
012	413076-2	BAFFLE PLATE		1			
013	259039-2	SELF LOCK 6		1			
014	688117-5	MAGNET SLEEVE		1			
015	267756-0	WAVE WASHER 6		1			
016	421738-8	LABYRINTH RUBBER RING 22		1	*		
016-1	422750-1	LABYRINTH RUBBER RING 22	<	1			
017	626503-2	FIELD 220-240V		1	*		
017-1	621C19-0	FIELD 220-240V	S	1			
018	417237-6	INSULATION COVER		2	*		
019	344871-8	RETAINER		2			
020	266258-3	TAPPING SCREW 4X70		2			
021	210027-4	BALL BEARING 627DDW		1			
022	253823-7	FLAT WASHER 7		1			
023	681656-4	INSULATION WASHER		1			
024	515208-8	ARMATURE ASS'Y 220-240V		1			
D10		INC. 21-23,25					
025	240033-5	FAN 57		1			
026	253084-9	FLAT WASHER 12		1			
027	317359-1	GEAR HOUSING COVER		1			
028	211142-7	BALL BEARING 6001LLB		1			
029	961052-5	RETAINING RING (EXT) S-12		1			
030	233901-9	LOCK SPRING 12		1			
031	253052-2	FLAT WASHER 12		1			
032	227429-7	SPIRAL BEVEL GEAR 9		1	*		
032-1	227A58-2	SPIRAL BEVEL GEAR 9	S	1			
033	253077-6	FLAT WASHER 6		1			
034	961002-0	RETAINING RING S-6		1			
035	417186-7	SWITCH LEVER		1			
036	417813-6	SWITCH KNOB		1			
037	819080-3	MAKITA LABEL		1	*		
037-1	819080-3	MAKITA LABEL		1			
038	183740-6	MOTOR HOUSING		1	*		
D10		INC. 37					
038-1	418512-3	MOTOR HOUSING	<	1	*		

038-2	183740-6	MOTOR HOUSING	<	1		
D10		INC. 37				
039	643760-7	BRUSH HOLDER		1		
040	266256-7	TAPPING SCREW PT3X10		2		
041	191978-9	A.C. CARBON BRUSH CB-318		1		
042	417183-3	REAR COVER		1		
043	265995-6	TAPPING SCREW 4X18		1		
044	631492-8	CONTROLLER		1		
045	643760-7	BRUSH HOLDER		1		
046	266256-7	TAPPING SCREW PT3X10		2		
048	183692-1	HANDLE SET		1		
D10		INC. 2				
049	233071-4	COMPRESSION SPRING 4		1		
050	224577-3	LOCK NUT 14-45		1		
051	331661-8	SPACER 3		1		
052	331662-6	SPACER 6		4		
053	257732-2	SLEEVE 14		1		
054	224298-7	INNER FLANGE 42		1	*	
054-1	224415-9	INNER FLANGE 42	<	1		
055	324393-4	SPINDLE		1		
056	415300-9	LABYRINTH RING		1		
057	265490-6	HEX. SOCKET HEAD BOLT M4X16		4		
058	317570-5	BEARING BOX		1	*	
058-1	318302-3	BEARING BOX	<	1		
059	213673-2	O RING 52		1		
060	211129-9	BALL BEARING 6201DDW		1		
061	285841-7	BEARING RETAINER		1		
062	227430-2	SPIRAL BEVEL GEAR 35		1	*	
062-1	227A59-0	SPIRAL BEVEL GEAR 35	S	1		
063	256459-1	PIN		1		
064	213048-5	O RING 6		1		
065	153381-2	GEAR HOUSING COMPLETE		1	*	
065-1	153718-3	GEAR HOUSING COMPLETE	O	1	*	
065-2	153488-4	GEAR HOUSING COMPLETE	S	1		
066	233072-2	COMPRESSION SPRING 8		1		
067	417236-8	PIN CAP		1	*	
067-1	418067-8	PIN CAP	S	1		
068	266257-5	TAPPING SCREW 4X28		4		
069	961011-9	STOP RING E-4		1		
070	257227-5	RING 6		1		
071	961014-3	STOP RING E-8		1		
072	153685-2	BLADE CASE COMPLETE		1		
C10	816397-5	SCALE LABEL		1		
073	324392-6	SHOULDER SHAFT		1		
074	231655-2	TORSION SPRING 11		1		
075	266040-0	TAPPING SCREW CT 4X25		2		
076	418390-1	DUST COVER		1		
077	850945-0	NAME PLATE SG1250		1		
078	416741-2	ELBOW		1		
079	213423-5	O RING 30		1		
080	183718-9	COVER		1		
D10		INC. 83				

081	922466-3	HEX.SOCKET HEAD BOLT M8X45		1		
082	961006-2	RETAINING RING S-10		1		
083	819064-1	MAKITA MARK		1		
084	317723-6	BASE		1		
085	922487-5	HEX. SOCKET HEAD BOLT M8X65		1		
086	941201-0	FLAT WASHER 8		1		
087	223145-9	CAM		1		
088	417665-5	FRONT GRIP		1		
090	252185-0	SQUARE NUT M6		1		
091	344391-2	BIT HOLDER		1		
092	922251-4	HEX. SOCKET HEAD BOLT M5X30		1		
093	941201-0	FLAT WASHER 8		1		
094	922462-1	HEX. SOCKET HEAD BOLT M8X40		1		
095	345364-8	INDICATOR		1		
096	942151-2	SPRING WASHER 6		1		
097	257731-4	SLEEVE 7		1		
098	251897-2	SCREW M6X33		1		
099	253310-6	THIN WASHER 10		1		
100	267783-7	WAVE WASHER 10		1		
101	253310-6	THIN WASHER 10		1		
A01	A-80438	D.WHEEL 125X22.23		2		
A02	782407-9	LOCK NUT WRENCH 35		1		
A03	783204-6	HEX. WRENCH 6		1		
A04	824709-8	PLASTIC CARRYING CASE		1	*	
C10	417059-4	LATCH		2	*	
C20	819143-5	MAKITA LABEL		1	*	
C30	418889-6	HANDLE		1	*	
A04-1	824709-8	PLASTIC CARRYING CASE	O	1		
C10	163455-1	LATCH		2		
C20	419360-3	HANDLE		1		

Please state Parts No. when your order.

Print Date 23/10/2023