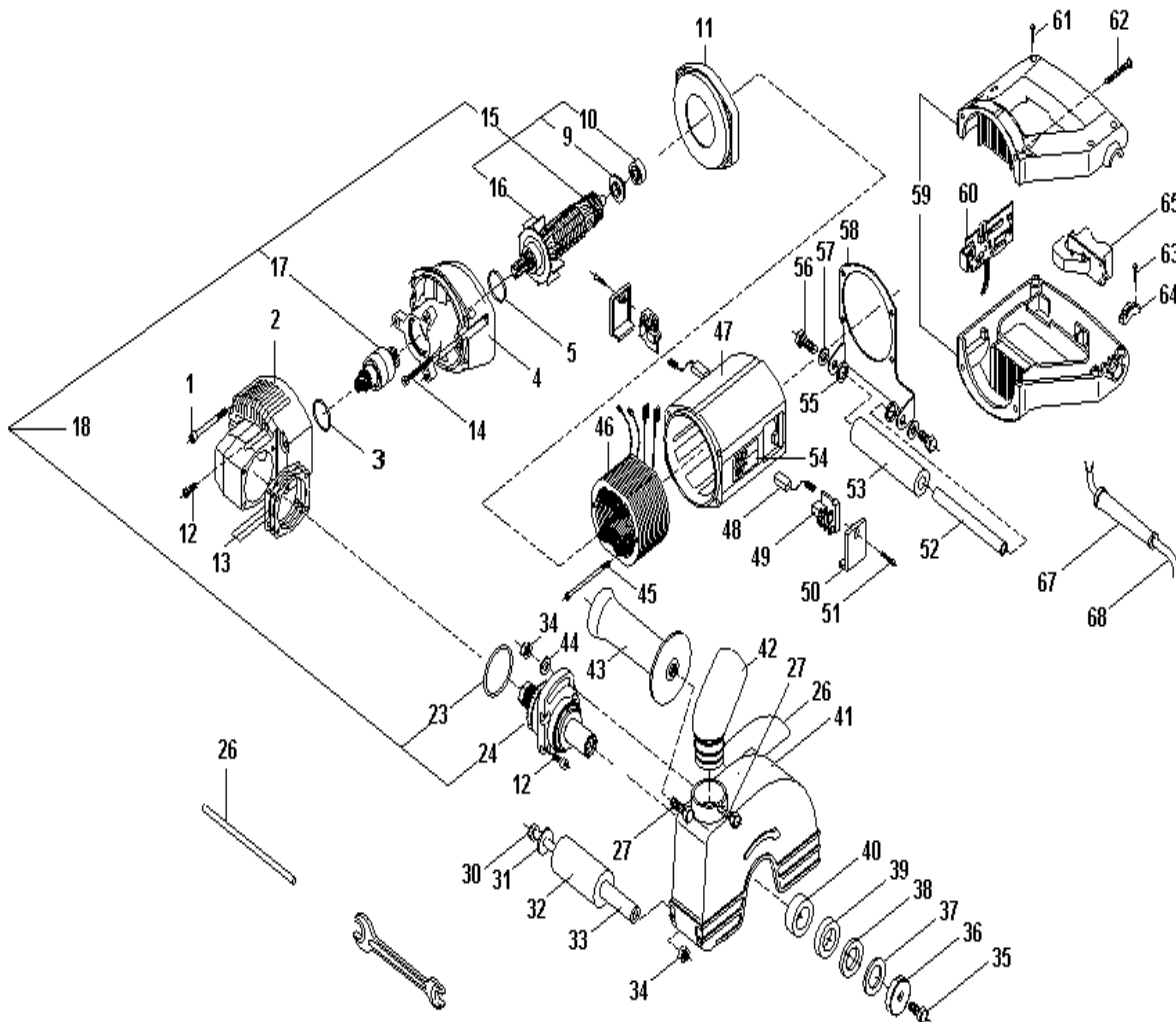




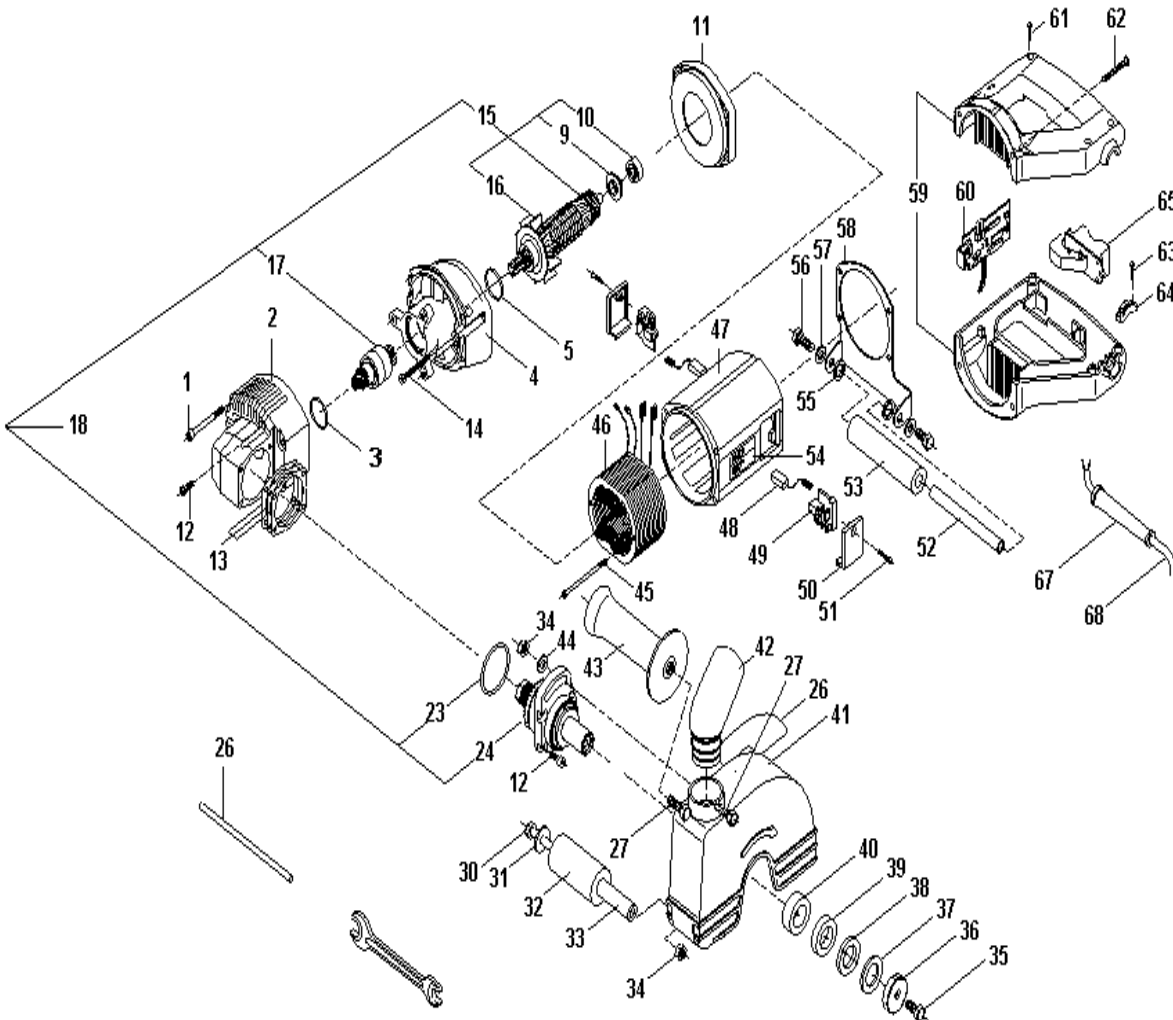
Model SG180
Wallchaser 180 mm



Pos. No.	Item No	Description	Quantity
1	B19471	HEX.BOLT M5X50	4
2	B50815	GEAR HOUSING	1
3	B51003	O-RING 35x2,5	1
4	B06712	MOTOR COVER	1
5	B53488	O-RING 31,42x2,62	1
9	B05116	INSULATION RING	1
10	B22681	BALL BEARING	1
11	B41418	BAFFLE PLATE	1
12	B33415	TAPTITE SCREW M5x20	4
13	B30379	SHIM 0,2	1
13,1	B30387	SHIM 0,3	1
13,2	B30361	SHIM 0,15	1
14	B27854	POLYPLAST SCREW 5,0x45	1
15	B58032	ARMATURE ASS'Y	1
16	B21600	FAN	1
17	B65011	COUNTERSHAFT ASSY	1
18	B06711	ROTOR-GEAR-SET	1
23	B30148	O-RING 46x2	1
24	B64881	MAIN SHAFT ASSY	1
25	B31088	MAKITA LABEL	1
26	B47100	SKALA	1
27	B11528	HEX. BOLT M8X25	1
28	B47720	BOLT	1
30	B11122	HEX. BOLT M8x90	1
31	B11189	WASHER 8,4	1
32	B10777	TENSION ROLLER	1
33	B11247	PIPE	1
34	B18952	HEX.NUT M8	1
35	B10983	HEX.BOLT M8X16	1
36	B29934	OUTER FLANGE	1
37	B30486	RING 3	1
38	B55376	RING 5	1
39	B10678	RING 10	1



Model SG180
Wallchaser 180 mm



Pos. No.	Item No	Description	Quantity
40	B55384	RING 21	1
41	B06343	SAFETY COVER	1
42	B44669	DUST NOZZLE	1
43	B08482	SIDE GRIP	1
44	B21071	WASHER 8	1
45	B36137	SCREW 4X80	2
46	B45856	FIELD 230V	1
47	B58701	MOTOR HOUSING	1
48	B45872	CARBON BRUSH	1
49	B32508	BRUSH HOLDER	2
50	B38299	BRUSH HOLDER COVER	2
51	B21030	PAN HEAD SCREW 3,9X13	1
52	B31096	PIPE	1
53	B09506	TENSION ROLLER	1
54	B06339	NAME PLATE SG180	1
55	B26948	WASHER 13	1
56	B30981	HEX. BOLT M7X12	1
57	B31070	WASHER 7,4	1
58	B10801	HOLDER	1
59	B48611	HANDLE SET	1
60	B35055	CONTROLLER	1
61	B42721	PAN HEAD SCREW 3,9X19	4
62	B44941	PAN HEAD SCREW 4,8X38	4
63	B20990	PAN HEAD SCREW 3,9X16	1
64	B17913	STRAIN RELIEF	1
65	B24265	SWITCH	1
67	B25221	CORD GUARD	1
68	P-12918	POWER SUPPLY CORD 1.50-2-5M	1