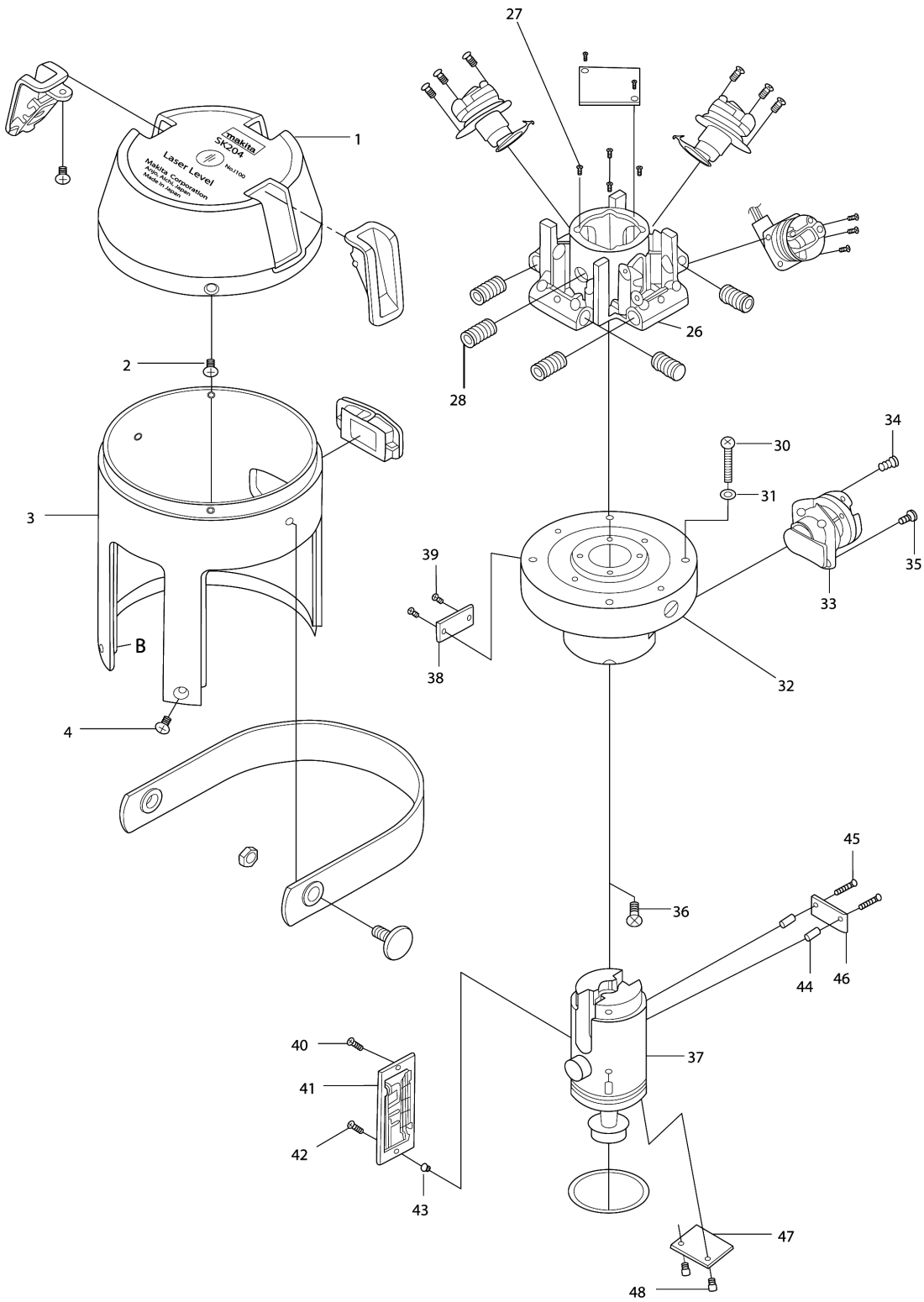
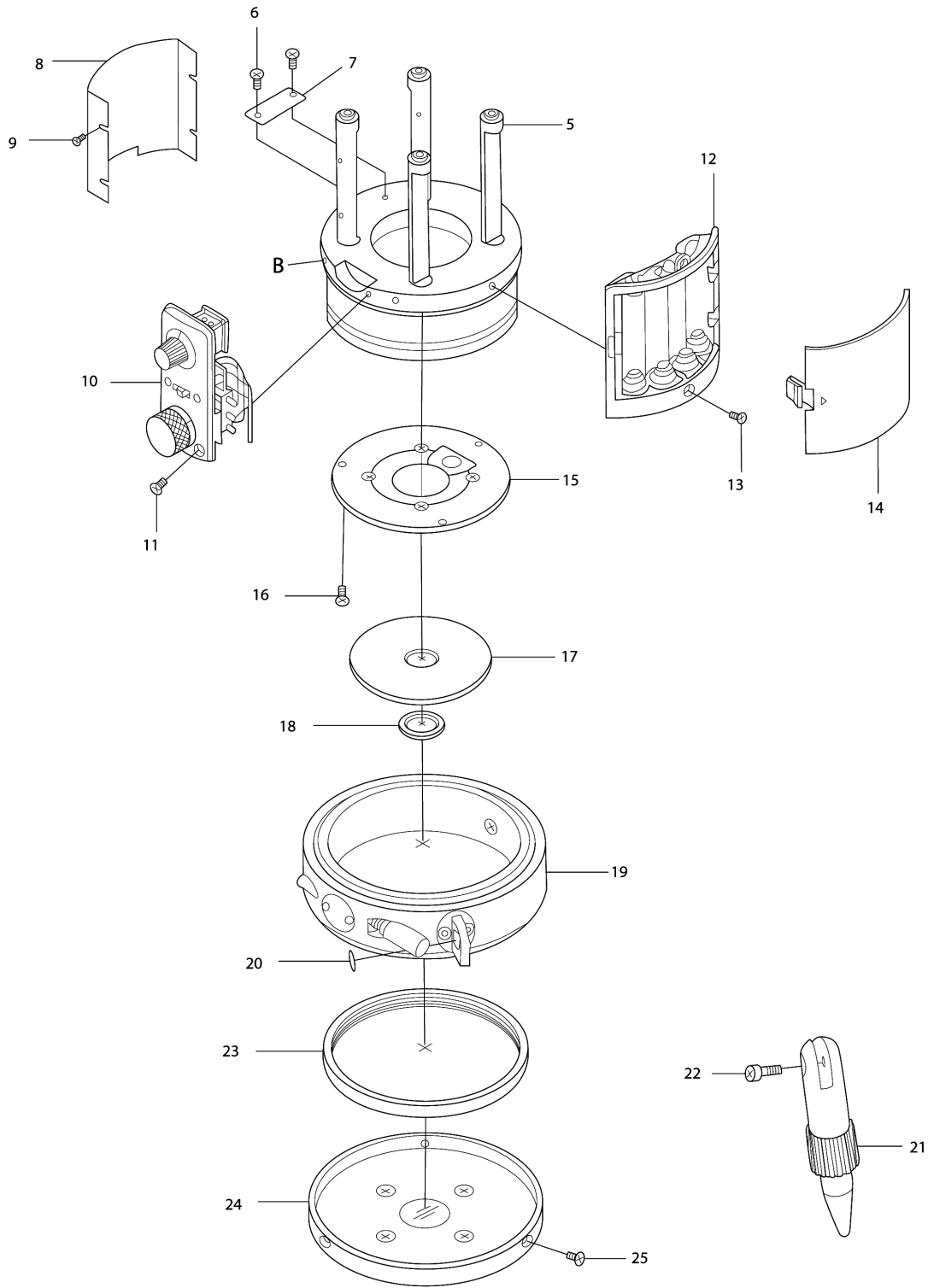


Model No.SK204 CORDLESS LASER LEVEL



Model No.SK204 CORDLESS LASER LEVEL



Model No.SK204 CORDLESS LASER LEVEL

Item	Parts No.	Description	I/C	Qty	New/Old	Opt. 1	Opt. 2	Note
001	TKLV5289EA	TOP CAP ASS'Y(INC.C10-C30)		1				
C10	TKLV5289ES	TOP CAP COMP.		1	*			
C11	TKL5288E2S	TOP CAP COMP.	X	1				
C20	TK0LV5069S	VERTICAL EXIT FRAME COMP.		3				
C30	TK000P2540	PAN HD.SCREW M2.5X4		3	*			
C31	TKP2540SCZ	PAN HD.SCREW M2.5X4	X	3				
002	TK0C3060SS	OVAL COUNTERSUNK HD.SCREW M3X6		4				
003	TKLV5023EA	BODY HOUSING ASS'Y INC.C10-C30		1				
C10	TK0LV5070S	HORIZONTAL EXIT FRAME COMP.		1				
C20	TK0LV5023E	BODY HOUSING		1				
C30	TK0LV4270S	TOOL-STRAP		1				
004	TK0C3060SS	OVAL COUNTERSUNK HD.SCREW M3X6		4				
005	TK0LV5053S	BASE COMP.		1				
006	TK03P2040N	PAN HD.SCREW M2X4		2				
007	TK00LV5019	CIRCUIT BOARD(C)		1				
008	TK00LV5056	WIRE COVER		1				
009	TK03P2030B	PAN HD.SCREW M2X3		4				
010	TKLV5048EA	POWER/MODE PANEL COMP.		1				
011	TK00C3060B	OVAL COUNTERSUNK HD.SCREW M3X6		2	*			
011-1	TKC3060SSB	OVAL COUNTERSUNK HD.SCREW M3X6	X	2				
012	TKLV39702S	BATTERY BOX COMP.		1				
013	TK00C3060B	OVAL COUNTERSUNK HD.SCREW M3X6		1	*			
013-1	TKC3060SSB	OVAL COUNTERSUNK HD.SCREW M3X6	X	1				
014	TK0LV39712	BATTERY BOX COVER		1				
015	TKLV50573S	YOKE COMP.		1				
016	TK0P3060SS	PAN HD.SCREW M3X6		3				
017	TK00LV5059	CONTROL PLATE		1				
018	TK00LV1933	RING NUT		1				
019	TK0LV5061S	OUTER FRAME COMP.		1				
020	TK0000WW40	WAVE WASHER M4		3	*			
020-1	TK00WW40SS	WAVE WASHER M4	X	3				
021	TK0LV5074S	FOOT COMP		3				
022	TK0H4014SS	HEX.SOCKET HD.CAP SCREW M4X14		3				
023	TK00LV5065	RETAINING RING		1				
024	TK0LV5068S	BOTTOM FRAME COMP.		1				
025	TK00C3060B	OVAL COUNTERSUNK HD.SCREW M3X6		3	*			
025-1	TKC3060SSB	OVAL COUNTERSUNK HD.SCREW M3X6	X	3				
026	TK0LV5477A	VERTICAL LASER-UNIT ASS'Y		1				
C10	TK0LV5452S	VERTICAL LASER HEAD COMP.		3				

Please order the parts with part number.

Print Date 23/10/2023

Model No.SK204 CORDLESS LASER LEVEL

Item	Parts No.	Description	I/C	Qty	New/Old	Opt. 1	Opt. 2	Note
C20	TK00LV5575	LASER LINE ADJUSTING SCREW		3				
C30	TK03P2040N	PAN HD.SCREW M2X4		6				
027	TK000F2550	COUNTERSUNK HD.SCREW M2.5X5		4	*			
027-1	TKF2550SCZ	COUNTERSUNK HD.SCREW M2.5X5	X	4				
028	TK00000S80	HEX.SOCKET HD.SCREW M8		1	*			
028-1	TKS8010SS0	HEX.SOCKET HD.SCREW M8X10	X	5				
028A_	TKS8015SS0	HEX.SOCKET HD.SCREW M8X15		5				
028B_	TKS8020SS0	HEX.SOCKET HD.SCREW M8X20		5				
029	TK00000S80	HEX.SOCKET HD.SCREW M8		1	*			
030	TK000P3020	PAN HD.SCREW M3X20		4	*			
030-1	TKP3020SCU	PAN HD.SCREW M3X20	X	4				
031	TK0000SW30	SPRING LOCK WASHER 2 M3		4	*			
031-1	TK0SW30SC2	SPRING LOCK WASHER 2 M3	X	4				
032	TK0LV5040S	GIMBAL COMP.		1				
033	TK0LV5453S	HORIZONTAL LASER HD.COMP.		1				
034	TK00LV5575	LASER LINE ADJUSTING SCREW		1				
035	TK03P2040N	PAN HD.SCREW M2X4		2				
036	TK000F3060	COUNTERSUNK HD.SCREW M3X6		4	*			
036-1	TKF3060SCZ	COUNTERSUNK HD.SCREW M3X6	X	4				
037	TK0LV5483A	GYRO ASS'Y		1				
C10	TK0LV5483S	GYRO COMP.		1				
C20	TK0LV5456S	PLUMB LASER HD.		1				
C30	TK0S3080SS	HEX.SOCKET SCREW M3X8		4	*			
C31	TKS3080SS0	HEX.SOCKET HD.SCREW M3X8	X	4				
C40	TK00LV5075	O RING 29		1				
038	TK00LV5019	CIRCUIT BOARD(C)		1				
039	TK03P2040N	PAN HD.SCREW M2X4		2				
040	TK03P2040N	PAN HD.SCREW M2X4		1				
041	TK00LV5465	CONNECTING CIRCUIT BOARD		1				
042	TK03P2060N	PAN HD.SCREW M2X6		1				
043	TK00ST2025	SPACER 2X2.5		1	*			
043-1	TKST2025SC	SPACER 2X2.5	X	1				
044	TK00ST2090	SPACER 2X9		2	*			
044-1	TKST2090SC	SPACER 2X9	X	2				
045	TK000P2012	PAN HD.SCREW M2X12		2	*			
045-1	TKP2012SCB	PAN HEAD SCREW M2X12	X	2				
046	TK00LV5463	TRANS.CIRCUIT BOARD		1				
047	TK00LV5464	SENSOR CIRCUIT BOARD		1				
048	TK0P2050SS	PAN HD.SCREW M2X5(SUS)		2				
A01	TK02043000	TOOL CARRYING CASE		1	*			
A01-1	TK2040K000	TOOL CARRYING CASE	X	1				

Please order the parts with part number.

Print Date 23/10/2023

Model No.SK204 CORDLESS LASER LEVEL

Item	Parts No.	Description	I/C	Qty	New/Old	Opt. 1	Opt. 2	Note
A02	TK02044000	CARTON		1	*			
A02-1	TK0204ECB1	CARTON	X	1				
A03	TK0LEG2000	LASER ENHANCEMENT GLASSES		1				
A04	TK0LD11001	RECEIVER UNIT		1				
A05	TK00LD1027	RECEIVER UNIT CASE		1				
A06	TK0LD1630A	RECEIVER CLAMP SET		1				

Please order the parts with part number.

Print Date 23/10/2023