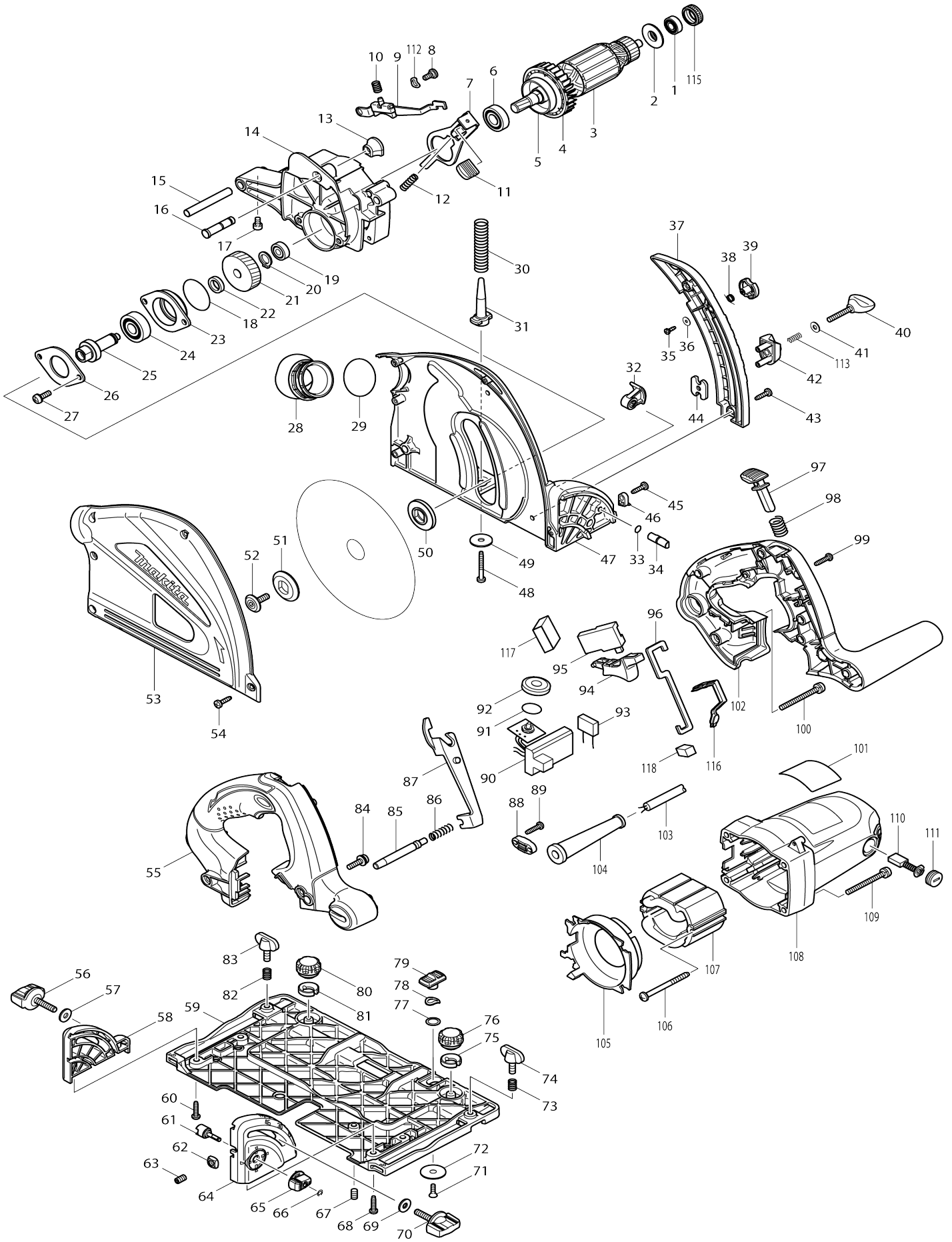


Model No.SP6000 PLUNGE CUT CIRCULAR SAW 165MM



Model No.SP6000 PLUNGE CUT CIRCULAR SAW 165MM

Item No.	Parts No.	Description	Interchangeability	Q'ty	New/Old	Note1	Note2
001	210013-5	BALL BEARING 698VV		1			
002	681634-4	INSULATION WASHER		1			
003	513678-5	ARMATURE ASS'Y 220-240V		1	*		
D10		INC. 1,2,4-6					
003-1	510591-8	ARMATURE ASS'Y 220-240V	>	1			
D10		INC. 1,2,4-6					
004	240091-1	FAN 60		1			
005	345767-6	DRUM		1			
006	211131-2	BALL BEARING 6001DDW		1	*		
006-1	210216-1	BALL BEARING 6001DDW	>	1			
007	345742-2	SHAFT LOCK		1			
008	265011-4	+ BINDING HEAD SCREW M5		1			
009	158096-6	SHOE COMPLETE		1	*		
009-1	345743-0	SHOE HOLDER	S	1			
010	233480-7	COMPRESSION SPRING 7		1			
011	286275-7	CAP		1	*		
011-1	286039-9	CAP	<	1			
012	233084-5	COMPRESSION SPRING 6		1			
013	286278-1	CAP		1	*		
013-1	286040-4	CAP	<	1			
014	158092-4	GEAR HOUSING COMPLETE		1	*		
C10	263002-9	RUBBER PIN 4		1	*		
014-1	144586-5	GEAR HOUSING COMPLETE	O	1			
C10	263002-9	RUBBER PIN 4		1			
015	324716-6	PIN 8		1	*		
015-1	326960-1	PIN 8	S	1	*		
015-2	324716-6	PIN 8	<	1	*		
015-3	327B66-0	PIN 8	O	1			
016	324708-5	STOPPER PIN 8		1			
017	265913-4	HEX. SOCKET HEAD BOLT M5X8		1	*		
017-1	265907-9	HEX. SOCKET HEAD BOLT M5X10	S	1			
018	213512-6	O RING 39		1			
019	211021-9	BALL BEARING 607LLB		1			
020	961052-5	RETAINING RING (EXT) S-12		1			
021	226637-7	HELICAL GEAR 39		1			
022	257010-0	RING 12		1			
023	318088-9	BEARING BOX		1			
024	211129-9	BALL BEARING 6201DDW		1	*		
024-1	210195-3	BALL BEARING 6201DDW	O	1			
025	324707-7	SPINDLE		1			
026	285689-7	BEARING RETAINER 55		1			
027	911221-8	PAN HEAD SCREW M5X16		2			
028	419620-3	DUST NOZZLE		1			
029	213460-9	O RING 35		1			
030	233479-2	COMPRESSION SPRING 11		1			
031	419624-5	SPRING HOLDER		1			
032	158095-8	LEVER 20 COMPLETE		1	*		

C10	263002-9	RUBBER PIN 4		1	*		
032-1	144867-7	LEVER 20 COMPLETE	<	1			
C10	263002-9	RUBBER PIN 4		1			
033	213021-5	O RING 5		1			
034	324710-8	PIN 8		1			
035	266007-8	TAPPING SCREW BIND PT 3X10		1			
036	253821-1	FLAT WASHER 3		1			
037	419625-3	DEPTH GUIDE		1	*		
037-1	457756-0	DEPTH GUIDE	O	1			
038	231665-9	TORSION SPRING 7		1			
039	419630-0	LOCK LEVER		1			
040	251867-1	THUMB SCREW M5X30		1			
041	941101-4	FLAT WASHER 5		1	*		
041-1	253414-4	FLAT WASHER 5	O	1			
042	419623-7	STOPPER BLOCK		1			
043	266034-5	TAPPING SCREW CT 4X16		2			
044	345744-8	NUT PLATE		1			
045	266034-5	TAPPING SCREW CT 4X16		1			
046	419632-6	POSITION PLATE		1			
047	158093-2	BLADE CASE COMPLETE		1	*		
C10	233025-1	COMPRESSION SPRING 2		1	*		
C20	253874-0	FLAT WASHER 4		1	*		
C30	259008-3	PUSH NUT 4		1	*		
C40	286277-3	CAP 14		1	*		
C50	345747-2	SPACER PLATE		1	*		
047-1	158547-9	BLADE CASE COMPLETE	S	1	*		
C10	233025-1	COMPRESSION SPRING 2		2	*		
C20	253874-0	FLAT WASHER 4		2	*		
C30	259008-3	PUSH NUT 4		2	*		
C40	286277-3	CAP 14		2	*		
C50	345747-2	SPACER PLATE		2	*		
047-2	144868-5	BLADE CASE COMPLETE	<	1	*		
C10	233025-1	COMPRESSION SPRING 2		2	*		
C20	253874-0	FLAT WASHER 4		2	*		
C30	259008-3	PUSH NUT 4		2	*		
C40	286277-3	CAP 14		2	*		
C41	286041-2	CAP 14	<	2	*		
C50	345747-2	SPACER PLATE		2	*		
047-3	140D56-6	BLADE CASE COMPLETE	O	1	*		
C10	233025-1	COMPRESSION SPRING 2		2	*		
C20	253874-0	FLAT WASHER 4		2	*		
C21	347392-9	PLATE	O	2	*		
C30	259008-3	PUSH NUT 4		2	*		
C41	286041-2	CAP 14	<	2	*		
C50	345747-2	SPACER PLATE		2	*		
047-4	141U30-9	BLADE CASE COMPLETE	O	1			
C10	233025-1	COMPRESSION SPRING 2		2			
C21	347392-9	PLATE	O	2			
C30	259008-3	PUSH NUT 4		2			
C41	286041-2	CAP 14	<	2			
C50	345747-2	SPACER PLATE		2			
048	266053-1	TAPPING SCREW 4X35		1			

049	253010-8	FLAT WASHER 6		1			
050	224406-0	INNER FLANGE 35		1	*		
050-1	224593-5	INNER FLANGE 35	O	1			
051	224405-2	OUTER FLANGE 35		1	*		
051-1	224409-4	OUTER FLANGE 35	O	1			
052	266403-0	HEX. SOCKET HEAD BOLT M6		1			
053	318084-7	BLADE CASE COVER		1	*		
053-1	319709-6	BLADE CASE COVER	S	1			
054	266034-5	TAPPING SCREW CT 4X16		5			
055	188197-6	HANDLE SET		1			
D10		INC. 102					
056	265776-8	THUMB SCREW M6X26		1			
057	253111-2	FLAT WASHER 6		1			
058	419596-4	REAR ANGULAR GUIDE		1			
059	318085-5	BASE		1	*		
059-1	318179-6	BASE	S	1			
060	265995-6	TAPPING SCREW 4X18		2			
061	324731-0	STOPPER PIN		1			
062	252157-5	SQUARE NUT M6		1			
063	266085-8	H.S.SET SCREW(FLAT POINT)M6X 10		1	*		
063-1	266225-8	H.S.SET SCREW(FLAT POINT)M6X 8	<	1			
064	419595-6	FRONT ANGULAR GUIDE		1	*		
064-1	413A11-6	FRONT ANGULAR GUIDE	<	1			
065	419571-0	DIAL 22		1	*		
065-1	457963-5	DIAL 22	<	1			
066	961017-7	STOP RING E-3		1			
067	266085-8	H.S.SET SCREW(FLAT POINT)M6X 10		1	*		
067-1	266085-8	H.S.SET SCREW(FLAT POINT)M6X 10	S	2	*		
067-2	266225-8	H.S.SET SCREW(FLAT POINT)M6X 8	<	2			
068	265995-6	TAPPING SCREW 4X18		2			
069	253111-2	FLAT WASHER 6		1			
070	265776-8	THUMB SCREW M6X26		1			
071	912112-6	COUNTERSUNK HEAD SCREW M4 X10		1			
072	345748-0	LOCK WASHER		1			
073	231316-4	COMPRESSION SPRING 7		1	*		
073-1	231240-1	COMPRESSION SPRING 7	O	1			
074	265701-9	THUMB SCREW M6X14		1			
075	419627-9	HOLDER		1			
076	265775-0	THUMB SCREW M4X3		1			
077	267070-4	FLAT WASHER 10		1	*		
077-1	345977-5	PLATE	<	1			
078	253932-2	WAVE WASHER 10		1			
079	419621-1	SLIDE LEVER		1	*		
079-1	458092-7	SLIDE LEVER	<	1			
080	265775-0	THUMB SCREW M4X3		1			
081	419627-9	HOLDER		1			
082	231316-4	COMPRESSION SPRING 7		1	*		

082-1	231240-1	COMPRESSION SPRING 7	O	1		
083	265701-9	THUMB SCREW M6X14		1		
084	922232-8	HEX. SOCKET HEAD BOLT M5X20		1		
085	324709-3	LOCK PIN 8		1		
086	233267-7	COMPRESSION SPRING 7		1		
087	419631-8	LOCK PLATE		1		
088	687052-4	STRAIN RELIEF		1		
089	265995-6	TAPPING SCREW 4X18		2		
090	631729-3	CONTROLLER		1		
091	213261-5	O RING 17		1		
092	418905-4	DIAL		1		
093	645185-1	NOISE SUPPRESSOR		1		
094	419622-9	SWITCH LEVER		1		
095	651922-3	SWITCH TG71B		1		
096	345745-6	LINK PLATE		1		
097	419629-5	LOCK OFF BUTTON		1		
098	233089-5	COMPRESSION SPRING 12		1		
099	265995-6	TAPPING SCREW 4X18		6		
100	911273-9	PAN HEAD SCREW M5X50		1		
101	862913-1	SP6000 NAME PLATE		1	*	
101-1	862913-1	SP6000 NAME PLATE	O	1	*	
101-2	862913-1	SP6000 NAME PLATE	O	1	*	
101-3	862913-1	SP6000 NAME PLATE	O	1		
102	188197-6	HANDLE SET		1		
D10		INC. 55				
103	665890-4	POWER SUPPLY CORD 1.0-2-4.0		1		
104	682540-6	CORD GUARD 9.3-90		1		
105	419626-1	BAFFLE PLATE		1		
106	266044-2	TAPPING SCREW 5X60		2		
107	525743-8	FIELD ASS'Y 220-240V		1		
C10	654020-2	RING TERMINAL		2		
C20	654501-6	CONNECTOR P-1.25		2	*	
C21	654485-8	PARALLEL SPLICE	O	2		
108	158094-0	MOTOR HOUSING COMPLETE		1		
C10	643708-9	BRUSH HOLDER 5-11		2		
109	911273-9	PAN HEAD SCREW M5X50		4		
110	191963-2	CARBON BRUSH CB-303		1		
111	643750-0	BRUSH HOLDER CAP 7-11		2		
112	267781-1	WAVE WASHER 7		1		
113	231372-4	COMPRESSION SPRING 5		1		
114	233025-1	COMPRESSION SPRING 2		1	*	
115	421479-6	RUBBER RING 19		1		
116	424047-4	PACKING		1		
117	424050-5	SPONGE		1		
118	443137-4	FELT		1		
119	450118-1	BLOCK		1	*	
120	450119-9	LEVER		1	*	
121	911013-5	PAN HEAD SCREW M3X10		1	*	
122	213045-1	O-RING 6		2	*	
123	422953-7	SHOE	S	1		
A01	B-07353	TCT SAW BLADE 165X20X48T		1		
A02	783203-8	HEX. WRENCH 5		1		

A03	165447-6	SUB BASE		1	*		
F02	194367-7	GUIDE RAIL 3000 SET		1			
C10	413102-7	SEAT 3000		2			
C20	423360-7	POSITION SHEET 3000		1			
C30	423362-3	RUBBER SEAT 3000		2			
C40	819212-2	MAKITA LOGO LABEL		1			
F03	194368-5	GUIDE RAIL 1400 SET		1			
C10	413101-9	SEAT 1400		2			
C20	423359-2	POSITION SHEET 1400		1			
C30	423361-5	RUBBER SEAT 1400		2			
C40	819212-2	MAKITA LOGO LABEL		1			
F04	194418-6	POSITION SHEET 1400 SET		1			
F06	194416-0	SHEET 10000 SET		1			
F07	194417-8	RUBBER SHEET 10000 SET		1			
F09-1	196664-7	BEVEL GUIDE SET	O	1			
F10	194925-9	GUIDE RAIL 1900 SET		1			
C10	423386-9	POSITION SHEET 1900		1			
C20	423390-8	RUBBER SHEET 1900		2			
C30	451330-6	SHEET 1900		2			
C40	819212-2	MAKITA LOGO LABEL		1			
F12	194910-2	POSITION SHEET 1900 SET		1			
F15	198885-7	GUIDE RAIL CONNECTOR SET(EU)		1			
F17	199140-0	GUIDE RAIL 1000 SET		1			
F18	199141-8	GUIDE RAIL 1500 SET		1			
F28	1913K7-3	PARALLEL GUIDE SET(MM)		1			
008-1	256A59-3	+BINDING HEAD SCREW M5	O	1			
A03	824783-6	SYSTAINER		1			
C10	453471-4	HANDLE		1			
C20	453472-2	LATCH		4			
A04	804869-2	SP6000K PLASTIC CASE LABEL		1			
A03	821552-6	CONNECTOR PLASTIC CASE (TYPE4)		1			
C10	453974-8	LATCH		4			
A04	800V02-6	SP6000J INDICATION LABEL		1	*		
A04-1	805K60-1	SP6000J INDICATION LABEL	<	1			
A05	800V03-4	SP6000J PLASTIC CASE LABEL		2			
A07	837804-5	INNER TRAY		1	*		
A07-1	837945-7	INNER TRAY	<	1	*		
A07-2	838390-9	INNER TRAY	<	1			

Please state Parts No. when your order.

Print Date 02/19/2024