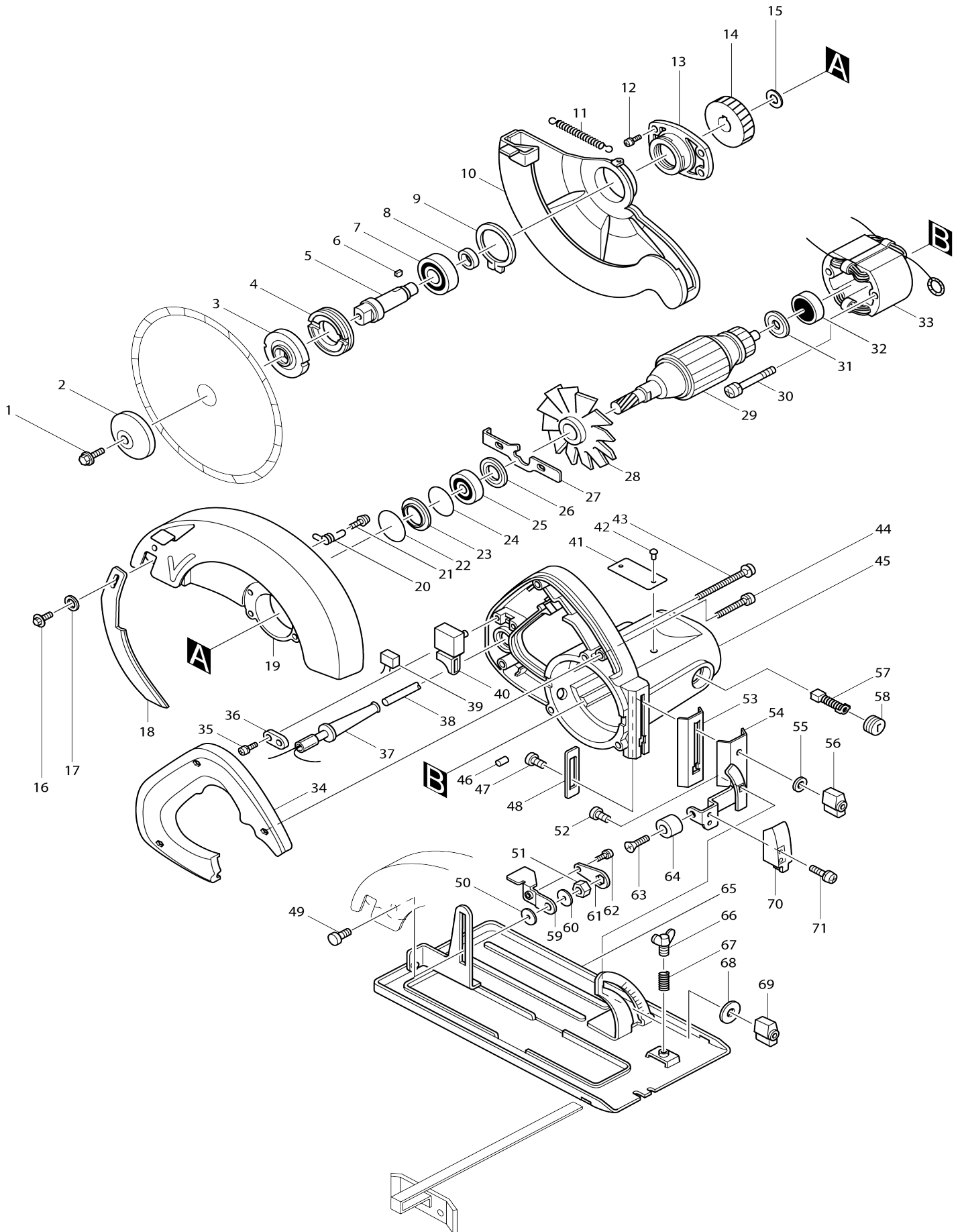


Model No.SR1600 CIRCULAR SAW 165MM



Model No.SR1600 CIRCULAR SAW 165MM

Item No.	Parts No.	Description	Interchangability	Q'ty	New/Old	Note1	Note2
001	251609-3	HEX. FLANGE HEAD BOLT M6X17		1			
002	224011-3	OUTER FLANGE 45		1			
003	224224-6	INNER FLANGE 45		1			
004	285802-7	BEARING RETAINER 19-33		1			
005-2	325239-7	SPINDLE		1			
006	254011-9	WOODRUFF KEY 4		1			
007	211106-1	BALL BEARING 6201LLB		1			
008	257010-0	RING 12		1			
009	961155-5	RETAINING RING S-38		1			
010-1	164885-9	SAFETY COVER		1			
011-1	231730-4	TENSION SPRING 4		1			
012	911126-2	PAN HEAD SCREW M4X16		4			
013	315313-9	BEARING BOX		1			
014	221697-4	HELICAL GEAR 50		1			
015	961016-9	STOP RING E-10		1			
016	265251-4	HEX. BOLT M6X16		1			
017	941151-9	FLAT WASHER 6		1			
018	341779-7	RIVING KNIFE		1			
019-2	154405-7	BLADE CASE COMPLETE		1			
C10	214001-4	PLANE BEARING 8		1			
C20	286001-4	CAP 14		1			
D11		INC. 24					
020	231549-1	TORSION SPRING 6		1			
021	911119-9	PAN HEAD SCREW M4X12		1			
022	213008-7	O RING 22.4		1			
023	343295-5	WASHER 19		1			
024-2	213407-3	O RING 26		1			
025-2	211056-0	BALL BEARING 629LLB		1	*		
025-3	210042-8	BALL BEARING 629LLB	O	1			
026	253768-9	FLAT WASHER 9		1			
027	341778-9	SPINDLE LOCK		1			
028	241102-5	FAN 86		1			
029C_	512753-4	ARMATURE ASS'Y 220V		1			
D11		INC. 25,26,28,31,32					
030-1	911280-2	PAN HEAD SCREW M5X55		2			
031A1	681625-5	INSULATION WASHER		1			
032	211031-6	BALL BEARING 608LLB		1			
033C_	522548-7	FIELD ASS'Y 220V		1			
C10	654019-7	RING TERMINAL		2			
C20	654501-6	CONNECTOR P-1.25		2			
034	411912-6	HANDLE COVER		1			
035-1	911133-5	PAN HEAD SCREW M4X18		2			
036C_	687031-2	STRAIN RELIEF		1			
037K_	665016-8	POWER SUPPLY CORD 1.00-2-2.5		1			
038	682504-0	CORD GUARD 10-85		1			
039G_	645200-1	NOISE SUPPRESSOR		1			
040L_	651252-2	SWITCH SGES215C		1			

041	854440-2	NAME PLATE SR1600		1		
042	953101-2	RIVET 0-3		2		
043	911268-2	PAN HEAD SCREW M5X45		3		
044	911153-9	PAN HEAD SCREW M4X28		3		
045	156820-1	MOTOR HOUSING		1		
C10	812166-2	INDICATION LABEL		1	*	
C20	643603-3	BRUSH HOLDER 6-10		2		
C30	913206-0	SET SCREW M5X8		2		
D11		INC. 46				
046-1	263014-2	RUBBER PIN 4		1		
047	251919-8	CAP SQUARE NECK BOLT M6X20		1		
048-1	343809-0	PLATE		1		
049	251919-8	CAP SQUARE NECK BOLT M6X20		1		
050	253804-1	FLAT WASHER 6		1		
051	931302-2	HEX. NUT M6		1		
052	251919-8	CAP SQUARE NECK BOLT M6X20		1		
053-1	343859-5	DEPTH PLATE		1		
054	164583-5	ANGULAR PLATE		1		
055	257078-6	RING 6		1		
056	252624-0	WING NUT M6		1		
057B_	181030-1	CARBON BRUSH CB-100		1	*	
057B1	194974-6	CARBON BRUSH SET CB-100	O	1		
058	643600-9	BRUSH HOLDER CAP 6-10		2		
059	341717-9	LEVER PLATE		1		
060	253804-1	FLAT WASHER 6		1		
061	341718-7	LOCK PLATE		1		
062	911101-8	PAN HEAD SCREW M4X6		1		
063	251227-7	+ COUNTERSUNK HEAD SCREW M6X22		1		
064	262502-6	RUBBER SLEEVE 6		1		
065-1	168090-0	BASE		1		
066	924316-8	WING BOLT M6X15		1		
067	231316-4	COMPRESSION SPRING 7		1		
068-1	253819-8	FLAT WASHER 6		1		
069	252624-0	WING NUT M6		1		
070	341777-1	FRONT GUARD		1		
071	911106-8	PAN HEAD SCREW M4X8		2		
400C_	792313-0	T.C.T. SAW BLADE 165		1		
401	164095-8	GUIDE RULE		1		
402	782209-3	SOCKET WRENCH 9		1		

Please state Parts No. when your order.

Print Date 23/10/2023