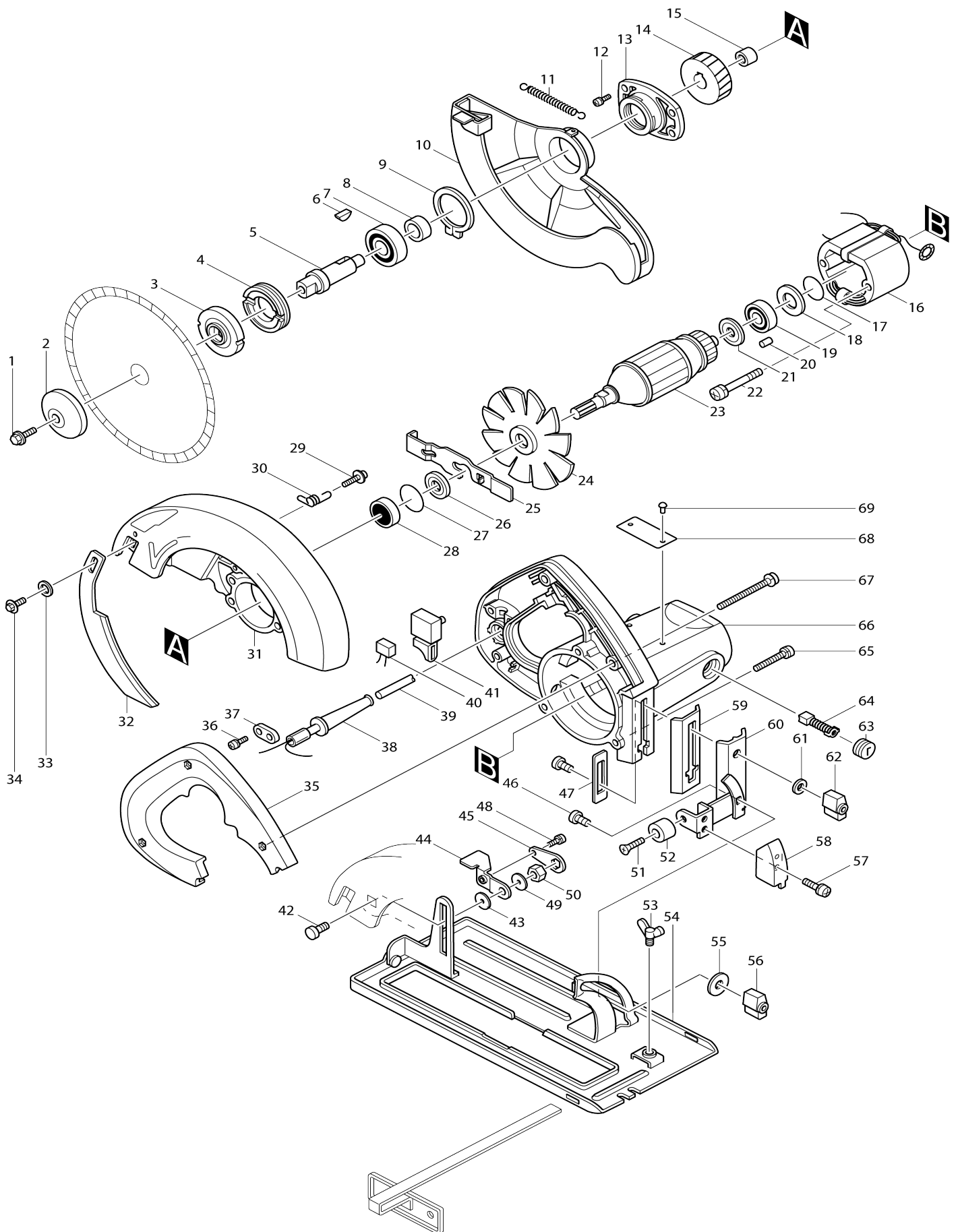


Model No.SR1800 CIRCULAR SAW 185MM



Model No.SR1800 CIRCULAR SAW 185MM

Item No.	Parts No.	Description	Interchangability	Q'ty	New/Old	Note1	Note2
001	251609-3	HEX. FLANGE HEAD BOLT M6X17		1			
002	224011-3	OUTER FLANGE 45		1			
003	224224-6	INNER FLANGE 45		1			
004	285802-7	BEARING RETAINER 19-33		1			
005	325079-3	SPINDLE		1			
006	254001-2	WOODRUFF KEY 4		1			
007	211106-1	BALL BEARING 6201LLB		1			
008	257012-6	RING 12		1			
009	961155-5	RETAINING RING S-38		1			
010-2	164886-7	SAFETY COVER		1			
011	231730-4	TENSION SPRING 4		1			
012	911126-2	PAN HEAD SCREW M4X16		4			
013	315313-9	BEARING BOX		1			
014	221685-1	HELICAL GEAR 51		1			
015	212004-2	NEEDLE BEARING 810		1			
016C_	522523-3	FIELD ASS'Y 220V		1			
C10	654019-7	RING TERMINAL		2			
C20	654502-4	CONNECTOR P-2		2			
017	213255-0	O RING 18		1			
018	253192-6	FLAT WASHER 14		1			
019-1	211033-2	BALL BEARING 608LB		1			
020-1	263014-2	RUBBER PIN 4		1			
021-1	681613-2	INSULATION WASHER		1			
022-1	911285-2	PAN HEAD SCREW M5X60		2			
023C_	512733-0	ARMATURE ASS'Y 220V		1			
D10		INC. 19,21,23,24					
024	241091-4	FAN 86		1			
025	341699-5	SPINDLE LOCK		1			
026	253769-7	FLAT WASHER 10		1			
027	213406-5	O RING 30		1			
028	211066-7	BALL BEARING 6200LLB		1			
029	911124-6	PAN HEAD SCREW M4X14		1			
030	231549-1	TORSION SPRING 6		1			
031-1	154369-5	BLADE CASE COMPLETE		1			
D10		INC. 27					
032	341701-4	RIVING KNIFE		1			
033-1	257078-6	RING 6		1			
034	265251-4	HEX. BOLT M6X16		1			
035	411833-2	HANDLE COVER		1			
036-1	911133-5	PAN HEAD SCREW M4X18		2			
037A_	687001-1	STRAIN RELIEF		1			
038	682504-0	CORD GUARD 10-85		1			
039M_	665516-8	POWER SUPPLY CORD 1.00-2-2.5		1			
040B_	645200-1	NOISE SUPPRESSOR		1			
041K_	651252-2	SWITCH SGES215C		1			
042	251919-8	CAP SQUARE NECK BOLT M6X20		1			
043-1	253819-8	FLAT WASHER 6		1			

044	341717-9	LEVER PLATE		1		
045	341718-7	LOCK PLATE		1		
046	251919-8	CAP SQUARE NECK BOLT M6X20		2		
047-1	343809-0	PLATE		1		
048	911101-8	PAN HEAD SCREW M4X6		1		
049	253804-1	FLAT WASHER 6		1		
050	931302-2	HEX. NUT M6		1		
051	251288-7	+ COUNTERSUNK HEAD SCREW M5X20		1		
052	262502-6	RUBBER SLEEVE 6		1		
053	924201-5	WING BOLT M5X8		1		
054	168083-7	BASE		1		
055-1	253804-1	FLAT WASHER 6		1		
056	252624-0	WING NUT M6		1		
057	911106-8	PAN HEAD SCREW M4X8		2		
058	341702-2	FRONT GUARD		1		
059-1	343861-8	SLIDE PLATE		1		
060	164560-7	ANGULAR PLATE		1		
061	257078-6	RING 6		1		
062	252624-0	WING NUT M6		1		
063	643600-9	BRUSH HOLDER CAP 6-10		2		
064B_	181030-1	CARBON BRUSH CB-100		1	*	
064B1	194974-6	CARBON BRUSH SET CB-100	O	1		
065	911268-2	PAN HEAD SCREW M5X45		3		
066	156778-4	MOTOR HOUSING		1		
C10	812166-2	INDICATION LABEL		1	*	
C20	643603-3	BRUSH HOLDER 6-10		2		
C30	913206-0	SET SCREW M5X8		2		
D10		INC. 20				
067	911153-9	PAN HEAD SCREW M4X28		3		
068	854251-5	NAME PLATE SR1800		1		
069	953101-2	RIVET 0-3		2		
400B_	792314-8	T.C.T. SAW BLADE 185		1	*	
401	164095-8	GUIDE RULE		1		
402	782209-3	SOCKET WRENCH 9		1		
901	414194-9	JOINT		1		
902	911118-1	PAN HEAD SCREW M4X12		1		

Please state Parts No. when your order.

Print Date 23/10/2023