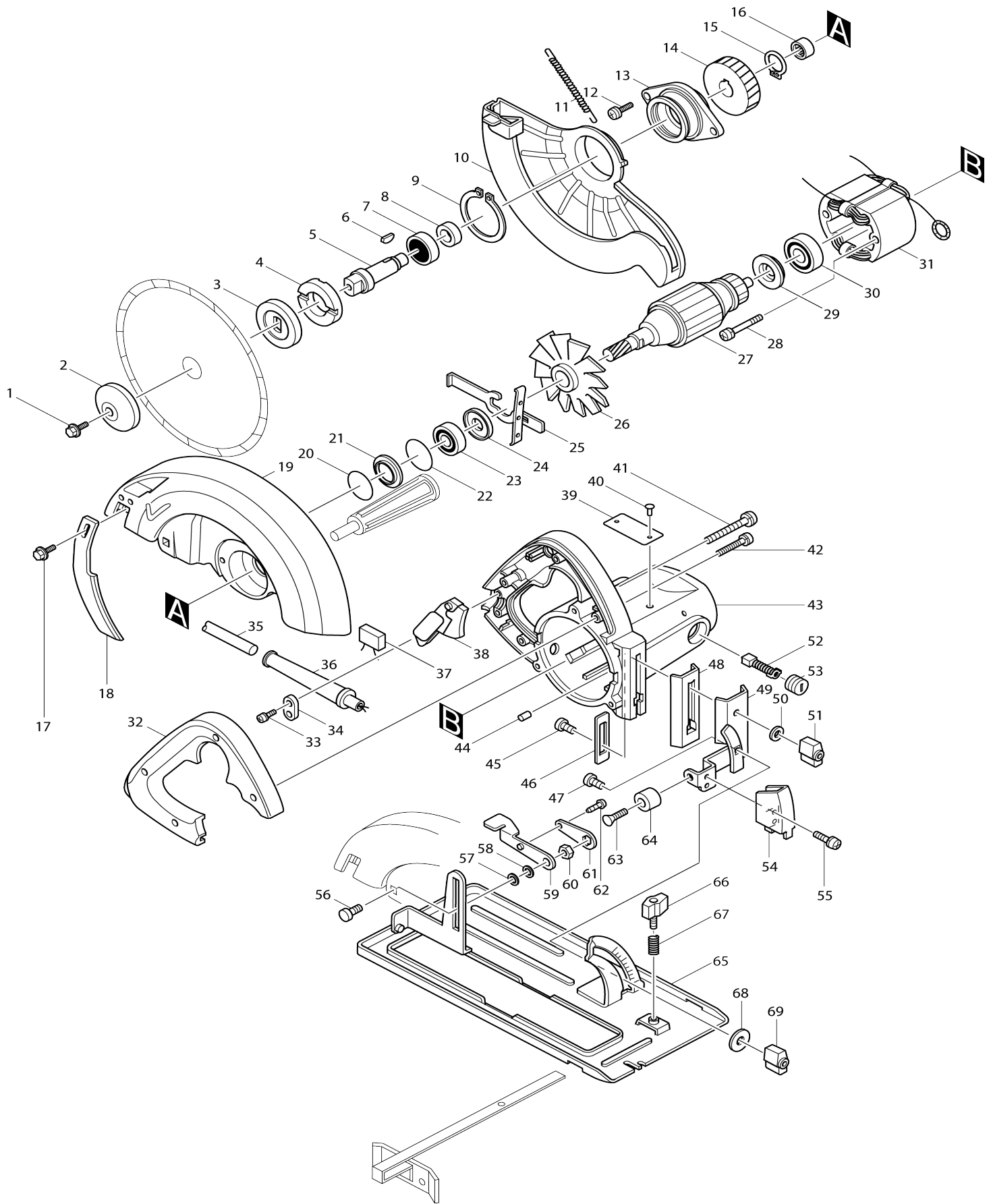


Model No.SR2100 CIRCULAR SAW 210MM



Model No.SR2100 CIRCULAR SAW 210MM

Item No.	Parts No.	Description	Interchangability	Q'ty	New/Old	Note1	Note2
001	251644-1	HEX. FLANGE HEAD BOLT M8X20		1			
002-1	224275-9	OUTER FLANGE 40		1			
003-2	224223-8	INNER FLANGE 40		1	*		
003-3	224360-8	INNER FLANGE 40	X	1			
004	285807-7	BEARING RETAINER 22-36		1			
005	321060-2	SPINDLE		1	*		
005-1	323789-6	SPINDLE	X	1			
006	254032-1	WOODRUFF KEY 5		1			
007	211206-7	BALL BEARING 6202LLB		1			
008	257064-7	RING 15		1			
009	961201-4	RETAINING RING S-42		1			
010-1	164884-1	SAFETY COVER		1			
011	231753-2	TENSION SPRING 5		1	*		
011-1	231838-4	TENSION SPRING 4	O	1			
012	911231-5	PAN HEAD SCREW M5X20		2			
013	315379-9	BEARING BOX		1			
014	221687-7	HELICAL GEAR 43		1			
015	961055-9	RETAINING RING S-15		1			
016	212052-1	NEEDLE BEARING 1010		1			
017-1	251644-1	HEX. FLANGE HEAD BOLT M8X20		1			
018	341782-8	RIVING KNIFE		1			
019-2	154370-0	BLADE CASE COMPLETE		1			
020	213412-0	O RING 29		1			
021	341736-5	WASHER 25		1			
022	213459-4	O RING 32		1			
023	211106-1	BALL BEARING 6201LLB		1			
024	213102-5	DUST SEAL 12		1			
025	163113-9	SPINDLE LOCK		1			
026-1	241513-4	FAN 92		1			
027C1	514858-6	ARMATURE ASS'Y 220V		1			
D10		INC. 23,24,26,29,30					
028-1	911280-2	PAN HEAD SCREW M5X55		2			
029-2	681625-5	INSULATION WASHER		1			
030	211033-2	BALL BEARING 608LB		1			
031C_	524538-6	FIELD ASS'Y 220V		1			
C10	654020-2	RING TERMINAL		2			
C20	654502-4	CONNECTOR P-2		2			
032	411914-2	HANDLE COVER		1			
033-1	911133-5	PAN HEAD SCREW M4X18		2			
034A_	687001-1	STRAIN RELIEF		1			
035J_	665516-8	POWER SUPPLY CORD 1.00-2-2.5		1			
036	682505-8	CORD GUARD 10-90		1			
037-1	645105-5	NOISE SUPPRESSOR		1			
038F_	651034-2	SWITCH HPAHC-2-25S		1			
039	854464-8	NAME PLATE SR2100		1			
040	953106-2	RIVET 0-5		2			
041	911273-9	PAN HEAD SCREW M5X50		3			

042	911148-2	PAN HEAD SCREW M4X25		4		
043	156827-7	MOTOR HOUSING		1		
C10	812166-2	INDICATION LABEL		1	*	
C20	643653-8	BRUSH HOLDER 6.5-13.5		2		
C30	913206-0	SET SCREW M5X8		2		
044-2	263014-2	RUBBER PIN 4		1		
045	251919-8	CAP SQUARE NECK BOLT M6X20		1		
046-1	343809-0	PLATE		1		
047	251919-8	CAP SQUARE NECK BOLT M6X20		1		
048-1	343860-0	DEPTH PLATE		1		
049	164585-1	ANGULAR PLATE		1		
050	941151-9	FLAT WASHER 6		1		
051	252624-0	WING NUT M6		1		
052B2	181048-2	A.C. CARBON BRUSH CB-155		1	*	
052B3	194987-7	CARBON BRUSH SET CB-155	O	1		
053	643650-4	BRUSH HOLDER CAP 6.5-13.5		1	*	
053-1	643650-4	BRUSH HOLDER CAP 6.5-13.5	O	1		
054	341781-0	FRONT GUARD		1		
055	911106-8	PAN HEAD SCREW M4X8		2		
056	251918-0	CAP SQUARE NECK BOLT M8X24		1		
057	941201-0	FLAT WASHER 8		1		
058	941201-0	FLAT WASHER 8		1		
059	341416-3	LEVER PLATE		1		
060	931402-8	HEX. NUT M8		1		
061	341415-5	LOCK PLATE		1		
062	911106-8	PAN HEAD SCREW M4X8		1		
063	251227-7	+ COUNTERSUNK HEAD SCREW M6X22		1		
064	262502-6	RUBBER SLEEVE 6		1		
065	168091-8	BASE		1		
066	251858-2	DIAL SCREW M6X15		1		
067	231316-4	COMPRESSION SPRING 7		1		
068-1	253819-8	FLAT WASHER 6		1		
069	252624-0	WING NUT M6		1		
400A_	792315-6	T.C.T. SAW BLADE 210		1		
401	164095-8	GUIDE RULE		1		
402	782212-4	SOCKET WRENCH 13		1		
403	273466-9	GRIP 37		1		

Please state Parts No. when your order.

Print Date 23/10/2023