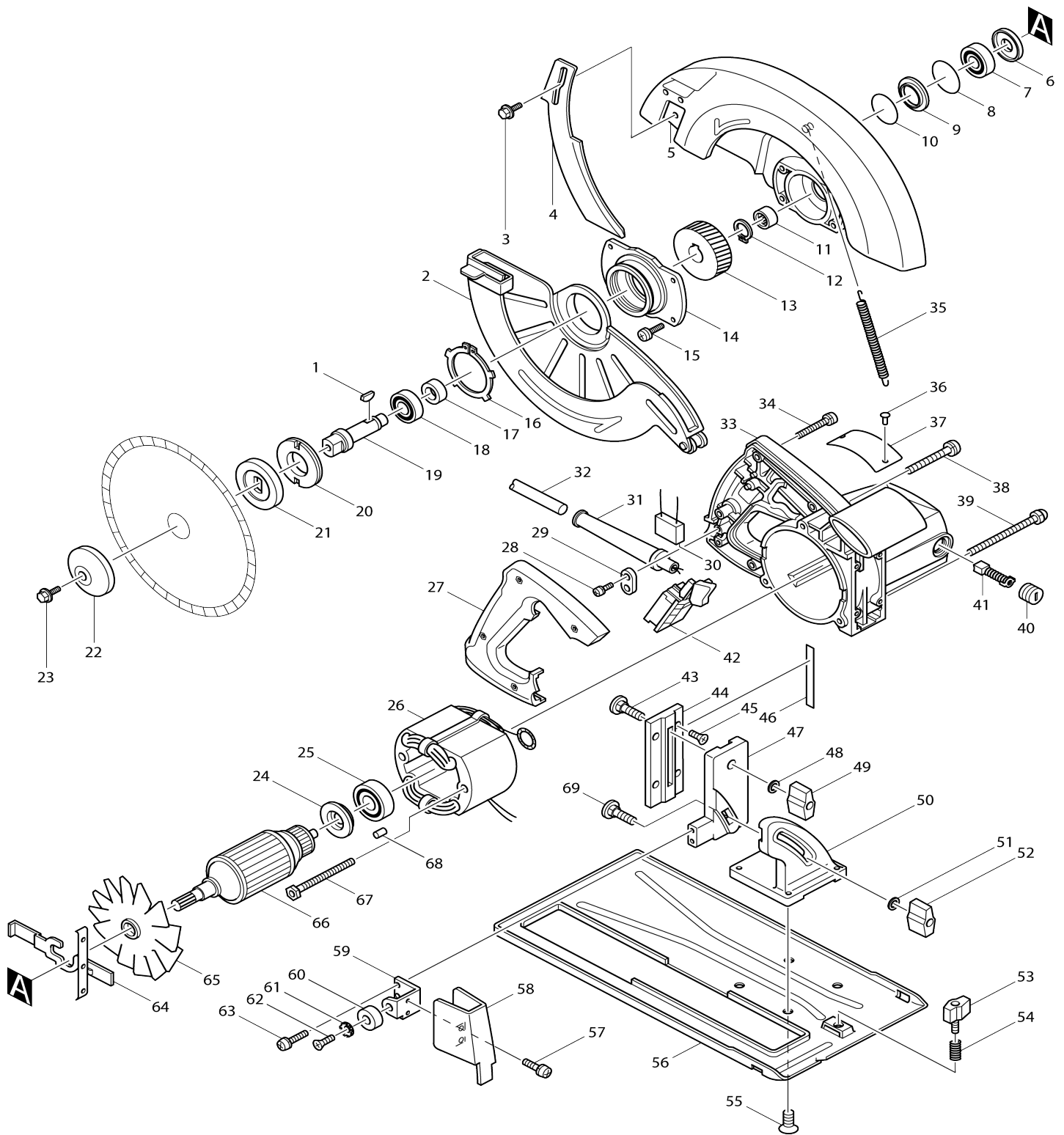


Model No.SR2600 CIRCULAR SAW 266MM



Model No.SR2600 CIRCULAR SAW 266MM

Item No.	Parts No.	Description	Interchangability	Q'ty	New/Old	Note1	Note2
001	254032-1	WOODRUFF KEY 5		1			
002	168123-1	SAFETY COVER		1			
003-1	251644-1	HEX. FLANGE HEAD BOLT M8X20		2			
004	342740-7	RIVING KNIFE		1			
005	154313-2	BLADE CASE COMPLETE		1			
D10		INC. 8					
006	213102-5	DUST SEAL 12		1			
007	211106-1	BALL BEARING 6201LLB		1			
008	213459-4	O RING 32		1			
009	341736-5	WASHER 25		1			
010	213412-0	O RING 29		1			
011	212052-1	NEEDLE BEARING 1010		1			
012	961057-5	RETAINING RING S-17		1			
013	221698-2	HELICAL GEAR 50		1			
014-2	315380-4	BEARING BOX		1			
015	911231-5	PAN HEAD SCREW M5X20		4			
016-1	257920-1	TOOTH RING GT-48		1			
017	257084-1	RING 17		1			
018	211256-2	BALL BEARING 6203LLB		1			
019	321402-0	SPINDLE		1			
020	285821-3	BEARING RETAINER 22-41		1			
021-1	224223-8	INNER FLANGE 40		1	*		
021-2	224360-8	INNER FLANGE 40	O	1			
022-1	224275-9	OUTER FLANGE 40		1			
023	251644-1	HEX. FLANGE HEAD BOLT M8X20		1			
024-1	681625-5	INSULATION WASHER		1			
025	211033-2	BALL BEARING 608LB		1			
026C_	524748-5	FIELD ASS'Y 220V		1			
C10	654020-2	RING TERMINAL		2			
C20	654502-4	CONNECTOR P-2		2			
027	410233-3	HANDLE COVER		1			
028-1	911133-5	PAN HEAD SCREW M4X18		2			
029A_	687001-1	STRAIN RELIEF		1			
030F_	645200-1	NOISE SUPPRESSOR		1			
031	682505-8	CORD GUARD 10-90		1			
032M_	665516-8	POWER SUPPLY CORD 1.00-2-2.5		1			
033C_	157539-5	MOTOR HOUSING		1			
034	911153-9	PAN HEAD SCREW M4X28		4			
035-1	231781-7	TENSION SPRING 5		1			
036	953106-2	RIVET 0-5		2			
037	854938-9	NAME PLATE SR2600		1			
038	911273-9	PAN HEAD SCREW M5X50		2			
039	911288-6	PAN HEAD SCREW M5X65		1			
040	643650-4	BRUSH HOLDER CAP 6.5-13.5		2	*		
040-1	643650-4	BRUSH HOLDER CAP 6.5-13.5	O	2			
041B2	181048-2	A.C. CARBON BRUSH CB-155		1	*		
041B3	194987-7	CARBON BRUSH SET CB-155	O	1			

042D_	651142-9	SWITCH C3D-15CS		1		
043	265845-5	CAP SQUARE NECK BOLT M8X30		1		
044	315628-4	SLIDE PLATE		1		
045	912217-2	COUNTERSUNK HEAD SCREW M5 X14		4		
046	816166-4	SCALE LABEL		1		
047-1	315629-2	ANGULAR PLATE		1		
048	941201-0	FLAT WASHER 8		1		
049	252626-6	WING NUT		1		
050	315630-7	ANGULAR GUIDE		1		
051	941201-0	FLAT WASHER 8		1		
052	252626-6	WING NUT		1		
053	251858-2	DIAL SCREW M6X15		1		
054	231316-4	COMPRESSION SPRING 7		1		
055	912212-2	COUNTERSUNK HEAD SCREW M5 X12		4		
056	342649-3	BASE		1		
057	911106-8	PAN HEAD SCREW M4X8		2		
058	342742-3	FRONT GUARD		1		
059-1	342741-5	GUARD HOLDER		1		
060-1	262042-4	RUBBER RING 8		1		
061	943202-4	TOOTHED LOCK WASHER 8		1	*	
062	251256-0	+ COUNTERSUNK HEAD SCREW M8X20		1		
063-1	911221-8	PAN HEAD SCREW M5X16		2		
064	163207-0	SHAFT LOCK		1		
065	241317-4	FAN 100		1		
066C1	514828-5	ARMATURE ASS'Y 220V		1		
D10		INC. 24,25,65				
067-1	911300-2	PAN HEAD SCREW M5X75		2		
068	263014-2	RUBBER PIN 4		1		
069	265845-5	CAP SQUARE NECK BOLT M8X30		1		
400	792204-5	T.C.T. SAW BLADE 266		1		
401	164021-7	GUIDE RULE		1		
402	782212-4	SOCKET WRENCH 13		1		

Please state Parts No. when your order.

Print Date 23/10/2023