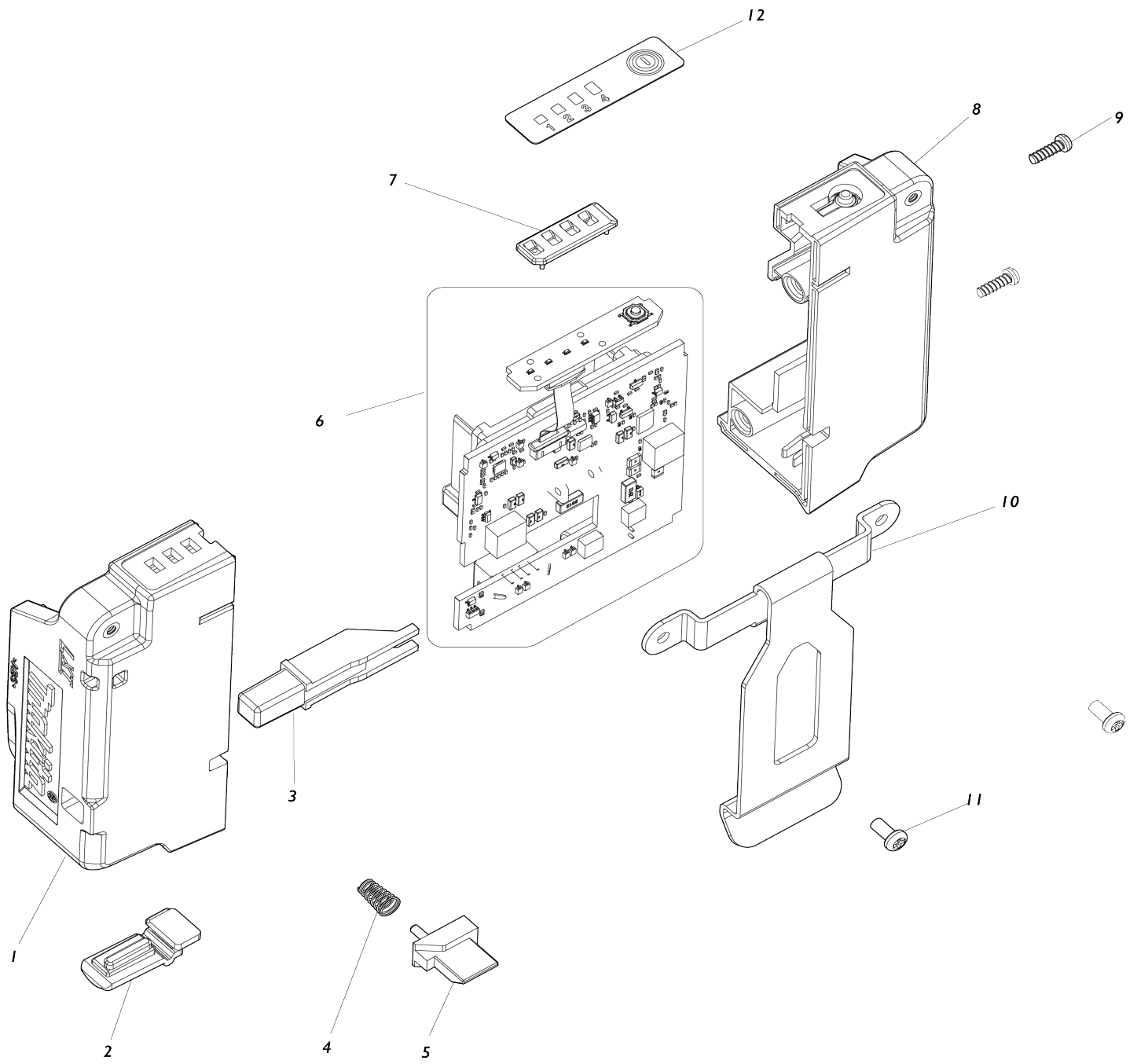


Model No.TD00000111 BATTERY HOLDER LXT



Model No.TD00000111 BATTERY HOLDER LXT

Item No.	Parts No.	Description	Interchangability	Q'ty	New/Old	Note1	Note2
001	TD00000131	HOUSING SET		1			
D10		INC. 8					
002	TD00000113	USB COVER		1			
003	TD00000124	PUSH BUTTON		1			
004	TD00000125	SPRING		1			
005	TD00000126	LATCH		1			
006	TD00000127	PCBA		1			
007	TD00000128	BRACKET		1			
008	TD00000131	HOUSING SET		1			
D10		INC. 1					
009	TD00000119	SCREW PB2.6X10		2			
010	TD00000129	BELT CLIP		1			
011	TD00000121	SCREW PM3.0X5		2			
012	TD00000130	KEY		1			

Please state Parts No. when your order.

Print Date 27/10/2023