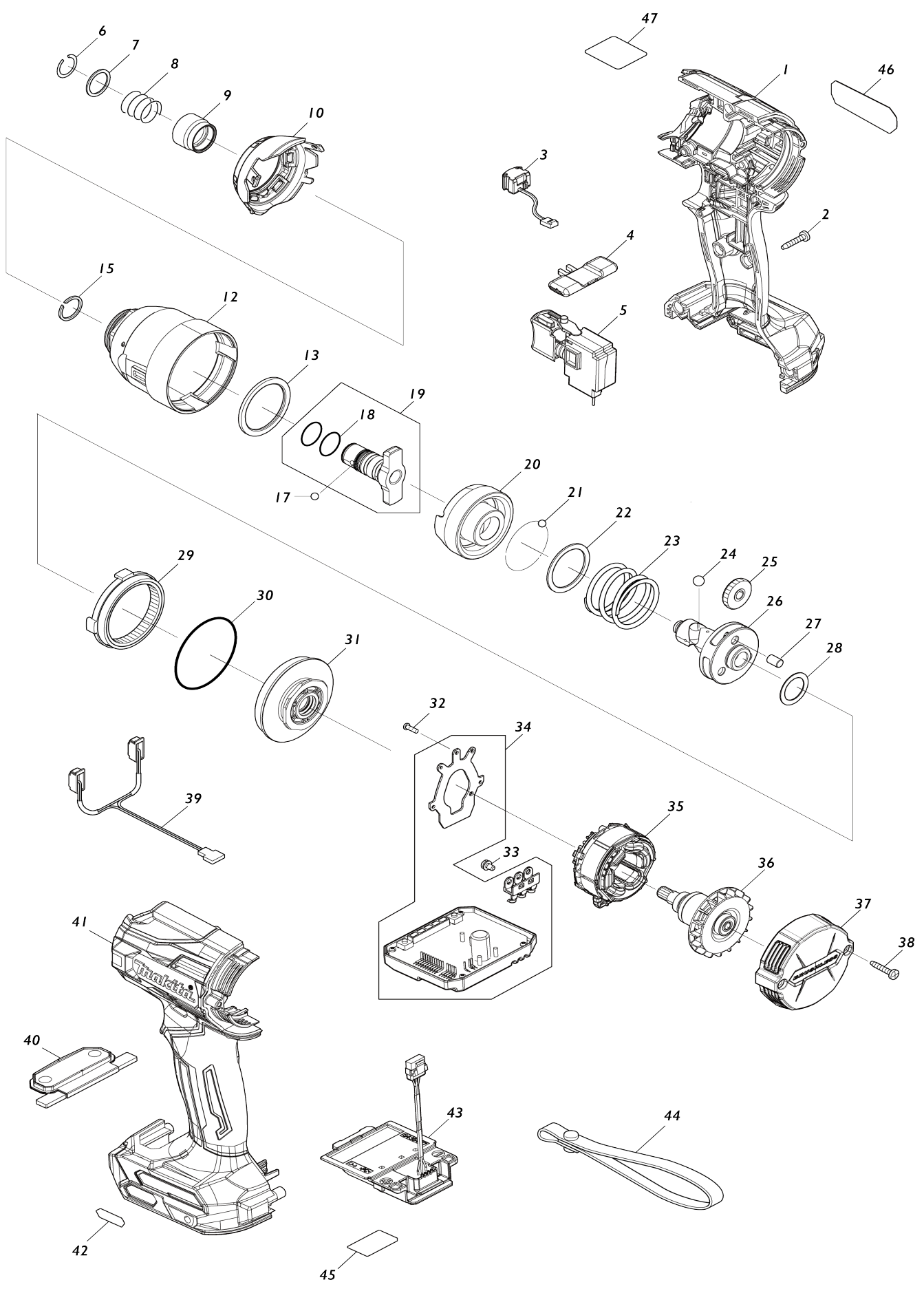


Model No.TD001G CORDLESS IMPACT DRIVER



Model No.TD001G CORDLESS IMPACT DRIVER

Item No.	Parts No.	Description	Interchangeability	Q'ty	New/Old	Note1	Note2
001	183P56-5	HOUSING SET		1	*		
C10	263005-3	RUBBER PIN 6		2	*		
C20	252126-6	HEX. LOCK NUT M4-7		2	*		
C30	422616-5	SPONGE SHEET		1	*		
D10		INC. 41					
001-1	183P56-5	HOUSING SET	O	1			
C10	263005-3	RUBBER PIN 6		2			
C20	252126-6	HEX. LOCK NUT M4-7		2			
D10		INC. 41					
002	266130-9	TAPPING SCREW BIND PT 3X16		8			
003	632L84-8	SWITCH UNIT		1			
004	455053-8	F/R CHANGE LEVER		1			
005	651442-7	SWITCH C3JR-1A-1		1			
006	231952-6	RING SPRING 12		1			
007	267101-9	FLAT WASHER 14		1			
008	232592-3	COMPRESSION SPRING 14		1			
009	327531-7	BIT SLEEVE		1	*		
009-1	327960-4	BIT SLEEVE	O	1			
010	136171-8	HAMMER CASE COVER ASSY		1			
C10	422269-0	BUMPER		1			
012	140R47-1	HAMMER CASE COMPLETE		1			
C10	210177-5	BALL BEARING 68/14LLU		2			
C20	267063-1	FLAT WASHER 18		1			
C30	962113-4	RETAINING RING R-24		1			
013	261160-5	NYLON WASHER 30		1			
015	259075-8	RETAINING RING(EXT) WR-14		1			
017	216001-0	STEEL BALL 3.5		2			
018	213118-0	O RING 12		2			
019	136205-7	ANVIL M ASS'Y		1			
D10		INC. 18					
020	327525-2	HAMMER		1			
021	216001-0	STEEL BALL 3.5		25			
022	267342-7	FLAT WASHER 26		1			
023	232591-5	COMPRESSION SPRING 25		1			
024	216013-3	STEEL BALL 6		2			
025	226960-0	SPUR GEAR 24		3	*		
025-1	227915-8	SPUR GEAR 24	<	3	*		
025-2	227926-3	SPUR GEAR 24	<	3			
026	327524-4	SPINDLE		1			
027	268311-1	PIN 5		3			
028	267194-6	FLAT WASHER 15		1			
029	226961-8	INTERNAL GEAR 56		1			
030	213892-0	O-RING 43		1			
031	140R48-9	BEARING BOX COMPLETE		1			
032	266490-9	TAPPING SCREW PT 2X6		3			
033	652069-6	FLAT HEAD SCREW M3X6		3			
034	620B96-3	CONTROLLER		1			

035	629464-5	STATOR		1		
036	619605-1	ROTOR		1		
037	412339-3	REAR COVER		1		
038	266130-9	TAPPING SCREW BIND PT 3X16		2		
039	620B97-1	LED CIRCUIT		1		
040	140R54-4	SWITCH PLATE COMPLETE		1		
C10	8011F4-1	SWITCH LABEL		1		
041	183P56-5	HOUSING SET		1	*	
C10	263005-3	RUBBER PIN 6		2	*	
C20	252126-6	HEX. LOCK NUT M4-7		2	*	
C30	422616-5	SPONGE SHEET		1	*	
D10		INC. 1				
041-1	183P56-5	HOUSING SET	O	1		
C10	263005-3	RUBBER PIN 6		2		
C20	252126-6	HEX. LOCK NUT M4-7		2		
D10		INC. 1				
042	8007R2-2	XGT LOGO LABEL		1		
043	632P49-4	TERMINAL UNIT		1		
045	856V15-5	TD001G SERIAL NO. LABEL		1		
046	856V08-2	TD001G NAME PLATE		1		
A01	266622-8	+ TRUSS HEAD SCREW M4X12		1		
A02	346317-0	HOOK		1		
A12	784044-5	+BIT2-50		1		
F04-1	191F58-7	TOOL HANGER SET	O	1		
A04	412393-7	BATTERY COVER		1		
A05	191B36-3	BATTERY BL4025 SET		2		
A06	***DC40RA	DC40RA FAST CHARGER		1		
D10		COMPO-PARTS				
A07	821550-0	CONNECTOR PLASTIC CASE (TYP E2)		1		
C10	453974-8	LATCH		4		
A08	8011K5-4	TD001GD201 PLASTIC CASE LABEL		2		
A09	8011K4-6	TD001GD201 INDICATION LABEL		1		
A10	835F94-0	INNER TRAY		1		
A05	191B26-6	BATTERY BL4040 SET		2		
A08	8011L2-7	TD001GM201 PLASTIC CASE LABEL		2		
A09	8011L1-9	TD001GM201 INDICATION LABEL		1		

Please state Parts No. when your order.

Print Date 23/10/2023