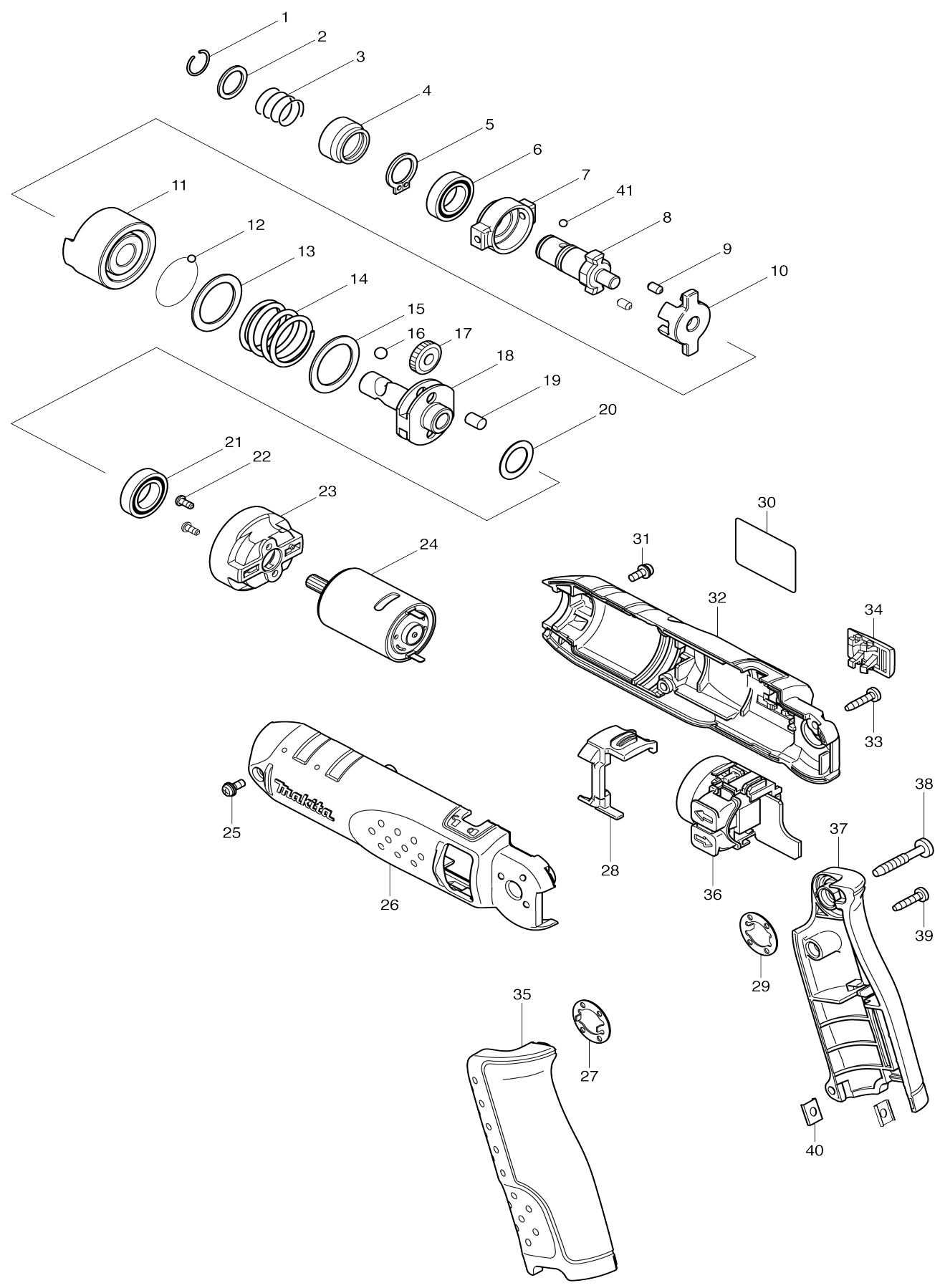


Model No.TD020D CORDLESS IMPACT DRIVER



Model No.TD020D CORDLESS IMPACT DRIVER

Item No.	Parts No.	Description	Interchangability	Q'ty	New/Old	Note1	Note2
001	231965-7	RING SPRING 10		1			
002	267143-3	FLAT WASHER 11		1			
003	233005-7	COMPRESSION SPRING 13		1			
004	324711-6	BIT SLEEVE		1			
005	961072-9	RETAINING RING S-12		1			
006	210108-4	BALL BEARING 6801LLU		1			
007	313136-9	LOCK RING		1			
008	324717-4	SPINDLE M		1			
009	268160-6	PIN 3.5		2			
010	324713-2	ANVIL		1			
011	324714-0	HAMMER		1			
012	216019-1	STEEL BALL 3		23			
013	267335-4	FLAT WASHER 20		1			
014	233481-5	COMPRESSION SPRING 20		1			
015	267335-4	FLAT WASHER 20		1			
016	216002-8	STEEL BALL 4.8		2			
017	227173-6	SPUR GEAR 27		2			
018	324715-8	SPINDLE		1			
019	268161-4	PIN 5		2			
020	253052-2	FLAT WASHER 12		1			
021	210108-4	BALL BEARING 6801LLU		1			
022	265172-0	+PAN HEAD SCREW M2.6X6		2			
023	419639-2	INTERNAL GEAR CASE		1			
024	629842-9	DC MOTOR		1			
025	265173-8	PAN HEAD SCREW M3X8		1			
026	188200-3	MOTOR HOUSING SET		1			
D10		INC. 32					
027	267803-7	LOCK WASHER		1			
028	419637-6	CHANGE LEVER		1			
029	267803-7	LOCK WASHER		1			
030	862714-7	TD020D NAME PLATE		1	*		
030-1	863818-8	TD020D NAME PLATE	<	1			
031	265173-8	PAN HEAD SCREW M3X8		1			
032	188200-3	MOTOR HOUSING SET		1			
D10		INC. 26					
033	266404-8	TAPPING SCREW BIND 3X14		3			
034	419638-4	LIGHT COVER		1			
035	188198-4	HANDLE SET		1			
D10		INC. 37					
036	638470-9	SWITCH UNIT		1			
037	188198-4	HANDLE SET		1			
D10		INC. 35					
038	265999-8	TAPPING SCREW 4X25		1	*		
038-1	266374-1	TAPPING SCREW 4X25	O	1			
039	266404-8	TAPPING SCREW BIND 3X14		2			
040	345749-8	SET PLATE		2			
041	216019-1	STEEL BALL 3		2			

A01	***DC07SA	DC07SA BATTERY CHARGER		1		
A02	194355-4	BATTERY BL7010 SET		2	*	
A02-1	194355-4	BATTERY BL7010 SET	<	2	*	
A02-2	198000-3	BATTERY BL0715 SET	<	2		
A03	168435-2	HOLSTOR		1	*	
A04	831272-4	SOFT CASE		1	*	
A04-1	831277-4	TOOL BAG	O	1	*	
A04-2	823295-6	ALUMINUM CASE	X	1		
C10	819237-6	MAKITA LOGO LABEL		1		
C20	835745-9	PARTITION 305		1		
C30	835746-7	PARTITION 120		1		
A05	711318-1	BRAD POINT DRILL 3		1	*	
A05-1	194376-6	DRILL SET	<	1	*	
A06	419730-6	HOLDER		1	*	
A07	784025-9	- BIT 6-50		1	*	
A08	784244-7	+ BIT 2-50		1	*	
A09	784245-5	+ BIT 1-50		1	*	
A10	824781-0	PLASTIC CASE		1		
026	188205-3	MOTOR HOUSING SET		1		
032	188205-3	MOTOR HOUSING SET		1		
035	188199-2	HANDLE SET (WHITE)		1		
037	188199-2	HANDLE SET (WHITE)		1		

Please state Parts No. when your order.

Print Date 23/10/2023