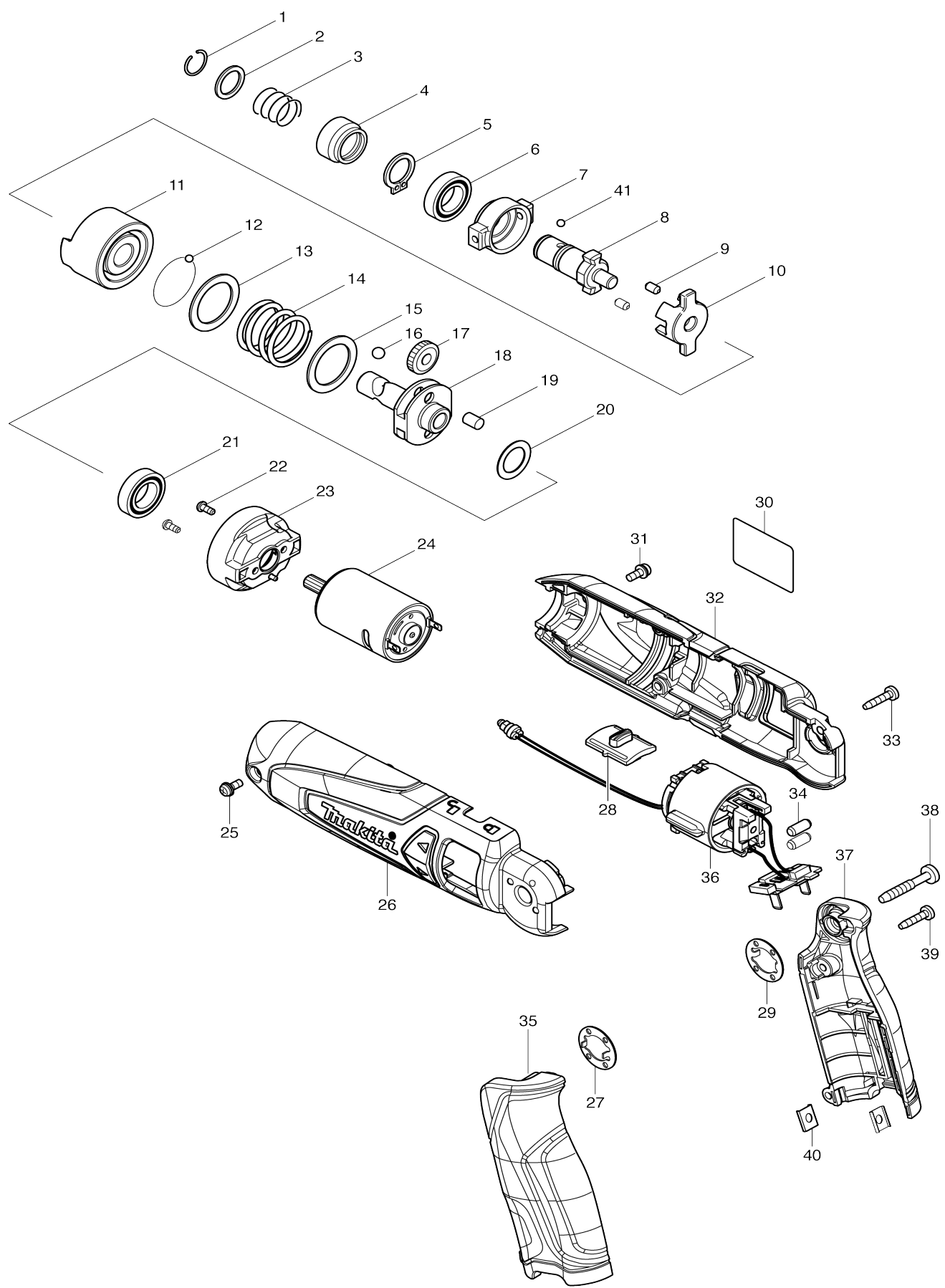


# Model No.TD021D CORDLESS IMPACT DRIVER



Model No.TD021D CORDLESS IMPACT DRIVER

Item No.	Parts No.	Description	Interc hang eabilit y	Q'ty	New/ Old	Note1	Note2
001	231965-7	RING SPRING 10		1			
002	267143-3	FLAT WASHER 11		1			
003	233005-7	COMPRESSION SPRING 13		1			
004	324711-6	BIT SLEEVE		1			
005	961072-9	RETAINING RING S-12		1			
006	210112-3	BALL BEARING 6801LLB		1	*		
006-1	210108-4	BALL BEARING 6801LLU	O	1			
007	313136-9	LOCK RING		1			
008	324717-4	SPINDLE M		1			
009	268160-6	PIN 3.5		2			
010	324713-2	ANVIL		1			
011	324714-0	HAMMER		1			
012	216019-1	STEEL BALL 3		23			
013	267335-4	FLAT WASHER 20		1			
014	233481-5	COMPRESSION SPRING 20		1			
015	267335-4	FLAT WASHER 20		1			
016	216002-8	STEEL BALL 4.8		2			
017	227173-6	SPUR GEAR 27		2			
018	324715-8	SPINDLE		1			
019	268161-4	PIN 5		2			
020	253052-2	FLAT WASHER 12		1			
021	210112-3	BALL BEARING 6801LLB		1	*		
021-1	210108-4	BALL BEARING 6801LLU	O	1			
022	265172-0	+PAN HEAD SCREW M2.6X6		2			
023	451522-7	INTERNAL GEAR CASE		1			
024	629842-9	DC MOTOR		1			
025	265173-8	PAN HEAD SCREW M3X8		1			
026	188749-3	MOTOR HOUSING SET		1			
D10		INC. 32					
027	267803-7	LOCK WASHER		1			
028	451523-5	LOCK LEVER		1			
029	267803-7	LOCK WASHER		1			
030	867332-6	TD021D NAME PLATE		1			
031	265173-8	PAN HEAD SCREW M3X8		1			
032	188749-3	MOTOR HOUSING SET		1			
D10		INC. 26					
033	266404-8	TAPPING SCREW BIND 3X14		3			
034	263027-3	RUBBER PIN 4		2			
035	188509-3	HANDLE SET		1			
D10		INC. 37					
036	650624-8	SWITCH C3YY		1			
037	188509-3	HANDLE SET		1			
D10		INC. 35					
038	266374-1	TAPPING SCREW 4X25		1			
039	266404-8	TAPPING SCREW BIND 3X14		2			
040	345749-8	SET PLATE		2			
041	216019-1	STEEL BALL 3		2			

A01	***DC07SA	DC07SA BATTERY CHARGER		1	*		
A01-1	***DC10WA	DC10WA BATTERY CHARGER	<	1			
A02	194355-4	BATTERY BL7010 SET		2	*		
A02-1	194355-4	BATTERY BL7010 SET	<	2	*		
A02-2	198000-3	BATTERY BL0715 SET	<	2			
A03	168435-2	HOLSTOR		1			
A04	831277-4	TOOL BAG		1			
F01-1	194355-4	BATTERY BL7010 SET	<	1			
F04	194731-2	REBAR BINDING ATTACHMENT S ET		1			
F06	198000-3	BATTERY BL0715 SET		1			
A10	821549-5	CONNECTOR PLASTIC CASE (TYP E1)		1			
C10	453974-8	LATCH		4			
A11	802X12-1	TD021DSJ INDICATION LABEL		1			
A12	802X13-9	TD021DSJ PLASTIC CASE LABEL		2			
A13	837871-0	INNER TRAY		1			

Please state Parts No. when your order.

Print Date 23/10/2023