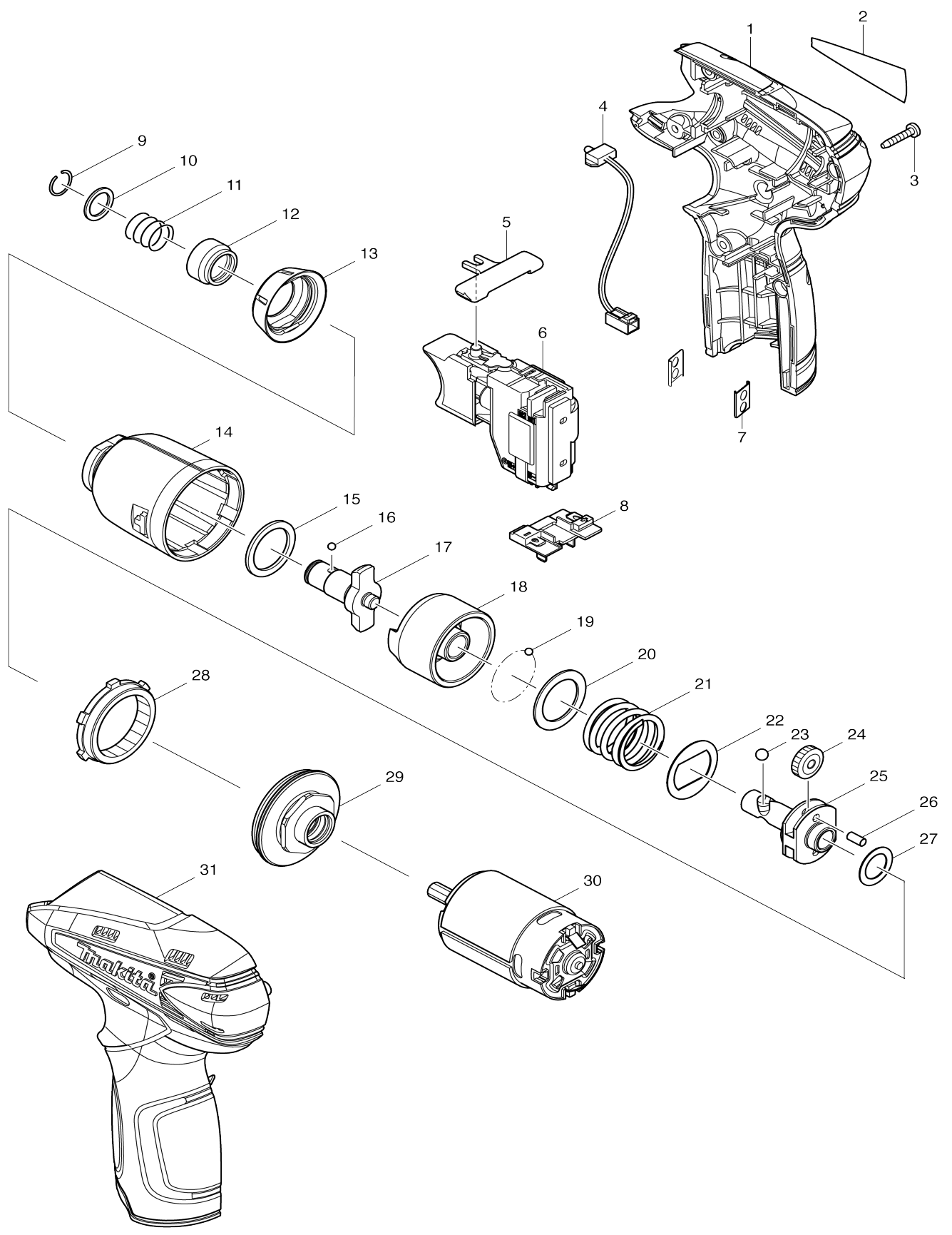


Model No.TD090D CORDLESS IMPACT DRIVER



Model No.TD090D CORDLESS IMPACT DRIVER

Item No.	Parts No.	Description	Interchangeability	Q'ty	New/Old	Note1	Note2
001	188497-4	HOUSING SET		1	*		
D10		INC. 31					
001-1	187160-6	HOUSING SET	X	1			
D10		INC. 31					
002	865121-3	TD090D NAME PLATE		1			
003	266130-9	TAPPING SCREW BIND PT 3X16		6			
004	631813-4	LED CIRCUIT		1	*		
005	450504-6	F/R CHANGE LEVER		1			
006	650599-1	SWITCH C3HY-1A-LM		1	*		
006-1	650645-0	SWITCH C3HY-1A-LF1M	<	1	*		
006-2	650699-7	SWITCH C3HW-3A-LF1M	X	1			
007	345998-7	SET PLATE		2			
008	643830-2	TERMINAL		1			
009	231965-7	RING SPRING 10		1			
010	267143-3	FLAT WASHER 11		1			
011	233005-7	COMPRESSION SPRING 13		1			
012	324711-6	BIT SLEEVE		1			
013	424109-8	BUMPER		1			
014	158670-0	HAMMER CASE COMPLETE		1			
015	261140-1	NYLON WASHER 20		1			
016	216019-1	STEEL BALL 3		2			
017	324895-0	ANVIL M		1			
018	324894-2	HAMMER		1			
019	216019-1	STEEL BALL 3		24			
020	267380-9	FLAT WASHER 20		1			
021	234064-4	COMPRESSION SPRING 21		1			
022	267813-4	WASHER 21		1			
023	216002-8	STEEL BALL 4.8		2			
024	227213-0	SPUR GEAR 17		2			
025	324897-6	SPINDLE		1			
026	268217-3	PIN 3.5		2			
027	253052-2	FLAT WASHER 12		1			
028	227215-6	INTERNAL GEAR 43		1			
029	158671-8	BEARING BOX COMPLETE		1			
C10	210112-3	BALL BEARING 6801LLB		1	*		
C11	210242-0	BALL BEARING 6801LLB	O	1			
C20	213188-9	O-RING 13		1			
030	629851-8	DC MOTOR		1			
031	188497-4	HOUSING SET		1	*		
D10		INC. 1					
031-1	187160-6	HOUSING SET	X	1			
D10		INC. 1					
032	533020-4	LEAD ASS'Y		1	*		
032-1	533031-9	LEAD ASS'Y	O	1			
033	533019-9	LEAD ASS'Y		1	*		
033-1	533030-1	LEAD ASS'Y	O	1			
A01	168467-9	HOLSTER		1			

A02	***DC10WA	DC10WA BATTERY CHARGER		1			
A03	194550-6	BATTERY BL1013 SET		2	*		
A03-1	196066-7	BATTERY BL1013 SET	O	2			
A04	784244-7	+ BIT 2-50		1			
A05	824781-0	PLASTIC CASE		1			
A06	824842-6	PLASTIC CARRYING CASE		1	*		
C10	417724-5	LATCH		2	*		
A06-1	141104-0	PLASTIC CARRYING CASE COMPLETE	<	1			
C10	417724-5	LATCH		2			
E01	638929-6	LINE FILTER UNIT		1			
C10	654086-2	RECEPTACLE		2			
F01-1	196066-7	BATTERY BL1013 SET	O	1			
A06	821549-5	CONNECTOR PLASTIC CASE (TYPE1)		1	*		
C10	453974-8	LATCH		4	*		
A06-1	821549-5	CONNECTOR PLASTIC CASE (TYPE1)	<	1			
C10	453974-8	LATCH		4			
A07	837663-7	INNER TRAY		1	*		
A07-1	837866-3	INNER TRAY	<	1			
A08	800Y80-4	TD090DWJ INDICATION LABEL		1			
A09	800Y81-2	TD090DWJ PLASTIC CASE LABEL		2			

Please state Parts No. when your order.

Print Date 23/10/2023