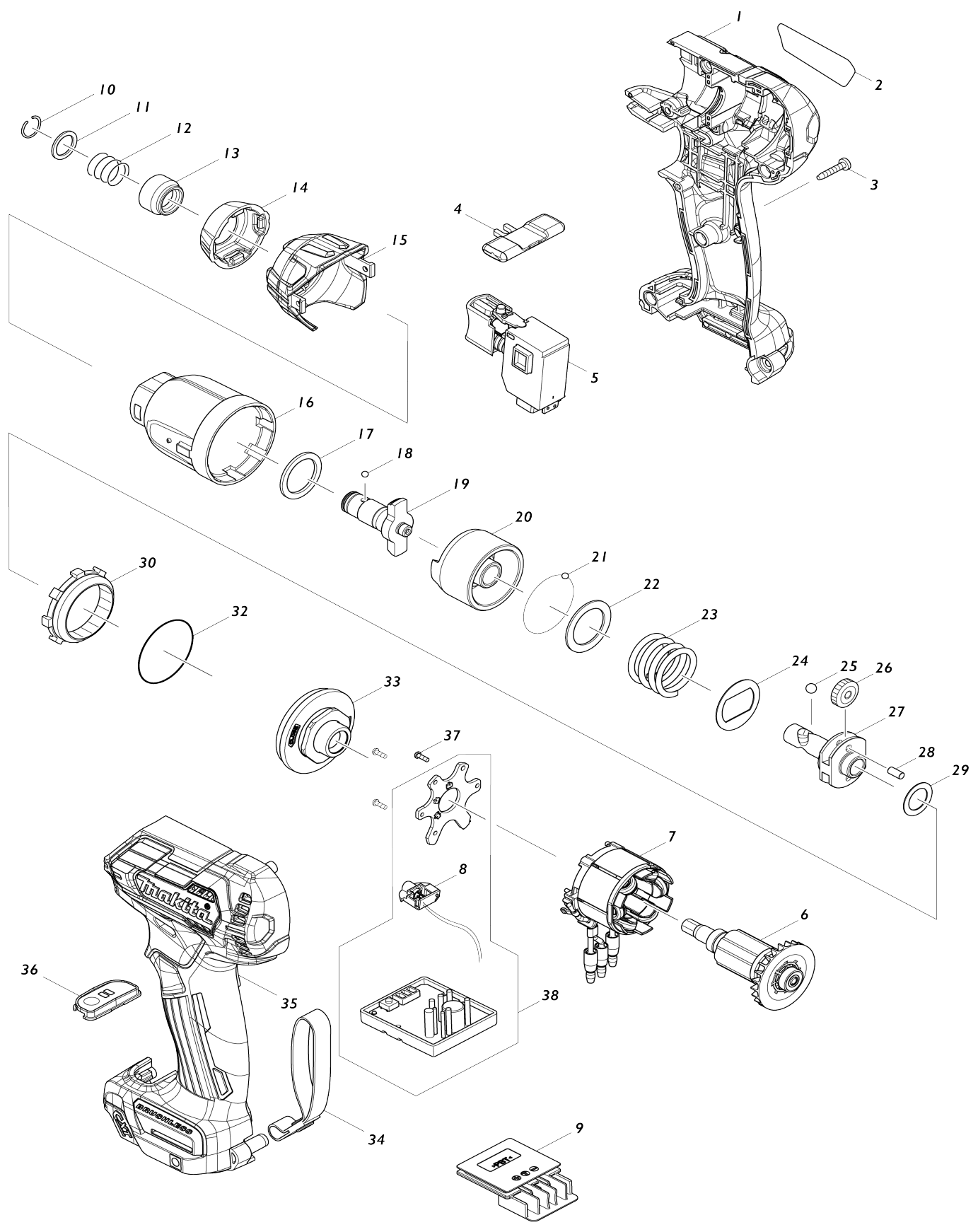


Model No.TD111D CORDLESS IMPACT DRIVER



Model No.TD111D CORDLESS IMPACT DRIVER

| Item No. | Parts No. | Description | Interchangability | Q'ty | New/Old | Note1 | Note2 |
|----------|-----------|--------------------------|-------------------|------|---------|-------|-------|
| 001 | 183E65-8 | HOUSING SET | | 1 | | | |
| C10 | 252126-6 | HEX. LOCK NUT M4-7 | | 2 | | | |
| D10 | | INC. 35 | | | | | |
| 002 | 852P37-7 | TD111D NAME PLATE | | 1 | * | | |
| 002-1 | 852P36-9 | TD111D NAME PLATE | < | 1 | | | |
| 003 | 266429-2 | TAPPING SCREW 3X16 | | 9 | | | |
| 004 | 455053-8 | F/R CHANGE LEVER | | 1 | | | |
| 005 | 650689-0 | SWITCH C3JW-2B | | 1 | | | |
| 006 | 619415-6 | ROTOR | | 1 | * | | |
| 006-1 | 619415-6 | ROTOR | O | 1 | | | |
| 007 | 629232-6 | STATOR | | 1 | | | |
| 008 | 620553-9 | LED CIRCUIT | | 1 | | | |
| 009 | 644813-5 | TERMINAL | | 1 | | | |
| 010 | 231965-7 | RING SPRING 10 | | 1 | | | |
| 011 | 267143-3 | FLAT WASHER 11 | | 1 | | | |
| 012 | 233005-7 | COMPRESSION SPRING 13 | | 1 | | | |
| 013 | 326803-7 | BIT SLEEVE | | 1 | | | |
| 014 | 424907-0 | BUMPER | | 1 | | | |
| 015 | 457062-3 | HAMMER CASE COVER | | 1 | | | |
| 016 | 144058-0 | HAMMER CASE COMPLETE | | 1 | | | |
| 017 | 261159-0 | NYLON WASHER 19 | | 1 | | | |
| 018 | 216019-1 | STEEL BALL 3 | | 2 | | | |
| 019 | 326630-2 | ANVIL M | | 1 | | | |
| 020 | 324894-2 | HAMMER | | 1 | | | |
| 021 | 216019-1 | STEEL BALL 3 | | 24 | | | |
| 022 | 267380-9 | FLAT WASHER 20 | | 1 | | | |
| 023 | 232326-4 | COMPRESSION SPRING 21 | | 1 | | | |
| 024 | 267813-4 | WASHER 21 | | 1 | | | |
| 025 | 216002-8 | STEEL BALL 4.8 | | 2 | | | |
| 026 | 221437-0 | SPUR GEAR 17 | | 2 | | | |
| 027 | 324897-6 | SPINDLE | | 1 | | | |
| 028 | 268217-3 | PIN 3.5 | | 2 | | | |
| 029 | 253052-2 | FLAT WASHER 12 | | 1 | | | |
| 030 | 227316-0 | INTERNAL GEAR 43 | | 1 | | | |
| 032 | 213479-8 | O RING 33 | | 1 | | | |
| 033 | 141893-7 | BEARING BOX COMPLETE | | 1 | | | |
| 035 | 183E65-8 | HOUSING SET | | 1 | | | |
| C10 | 252126-6 | HEX. LOCK NUT M4-7 | | 2 | | | |
| D10 | | INC. 1 | | | | | |
| 036 | 144060-3 | SWITCH PLATE COMPLETE | | 1 | | | |
| 037 | 266490-9 | TAPPING SCREW PT 2X6 | | 3 | | | |
| 038 | 620552-1 | CONTROLLER | | 1 | | | |
| D10 | | INC. 8 | | | | | |
| A01 | 266622-8 | + TRUSS HEAD SCREW M4X12 | | 1 | | | |
| A02 | 346909-5 | HOOK | | 1 | | | |
| A03 | 784244-7 | + BIT 2-50 | | 1 | | | |
| F05 | 194281-7 | STOPPER SET (W/BITS) | | 1 | | | |

| | | | | | | |
|-------|-----------|---------------------------------|---|---|---|--|
| F34 | 198968-3 | BATTERY BL1016 SET | | 1 | | |
| F35 | 198969-1 | BATTERY BL1016 SET (2PIECES) | | 1 | | |
| F36-1 | 198970-6 | BATTERY BL1021B SET (2PIECES) | O | 1 | | |
| F37-1 | 199002-2 | BATTERY BL1041B SET (2PIECES) | O | 1 | | |
| A04 | 456128-6 | BATTERY COVER | | 1 | | |
| A05 | ***DC10SA | DC10SA BATTERY CHARGER | | 1 | * | |
| D10 | | COMPO-PARTS | | | | |
| A05-1 | ***DC10SB | DC10SB BATTERY CHARGER | < | 1 | | |
| D10 | | COMPO-PARTS | | | | |
| A06 | 197394-3 | BATTERY BL1020B SET | | 2 | * | |
| A06-1 | 197396-9 | BATTERY BL1021B SET | < | 2 | * | |
| A06-2 | 197396-9 | BATTERY BL1021B SET | O | 2 | | |
| A07 | 784244-7 | + BIT 2-50 | | 1 | | |
| A08 | 821549-5 | CONNECTOR PLASTIC CASE (TYP E1) | | 1 | | |
| C10 | 453974-8 | LATCH | | 4 | | |
| A09 | 838312-9 | INNER TRAY | | 1 | | |
| A10 | 810L45-0 | TD111DSAJ INDICATION LABEL | | 1 | * | |
| A10-1 | 810L44-2 | TD111DSAJ INDICATION LABEL | < | 1 | | |
| A11 | 810L47-6 | TD111DSAJ PLASTIC CASE LABEL | | 2 | | |
| A06 | 197402-0 | BATTERY BL1040B SET | | 2 | * | |
| A06-1 | 197406-2 | BATTERY BL1041B SET | < | 2 | * | |
| A06-2 | 197406-2 | BATTERY BL1041B SET | O | 2 | | |
| A10 | 810L49-2 | TD111DSMJ INDICATION LABEL | | 1 | * | |
| A10-1 | 810L48-4 | TD111DSMJ INDICATION LABEL | < | 1 | | |
| A11 | 810L51-5 | TD111DSMJ PLASTIC CASE LABEL | | 2 | | |

Please state Parts No. when your order.

Print Date 23/10/2023