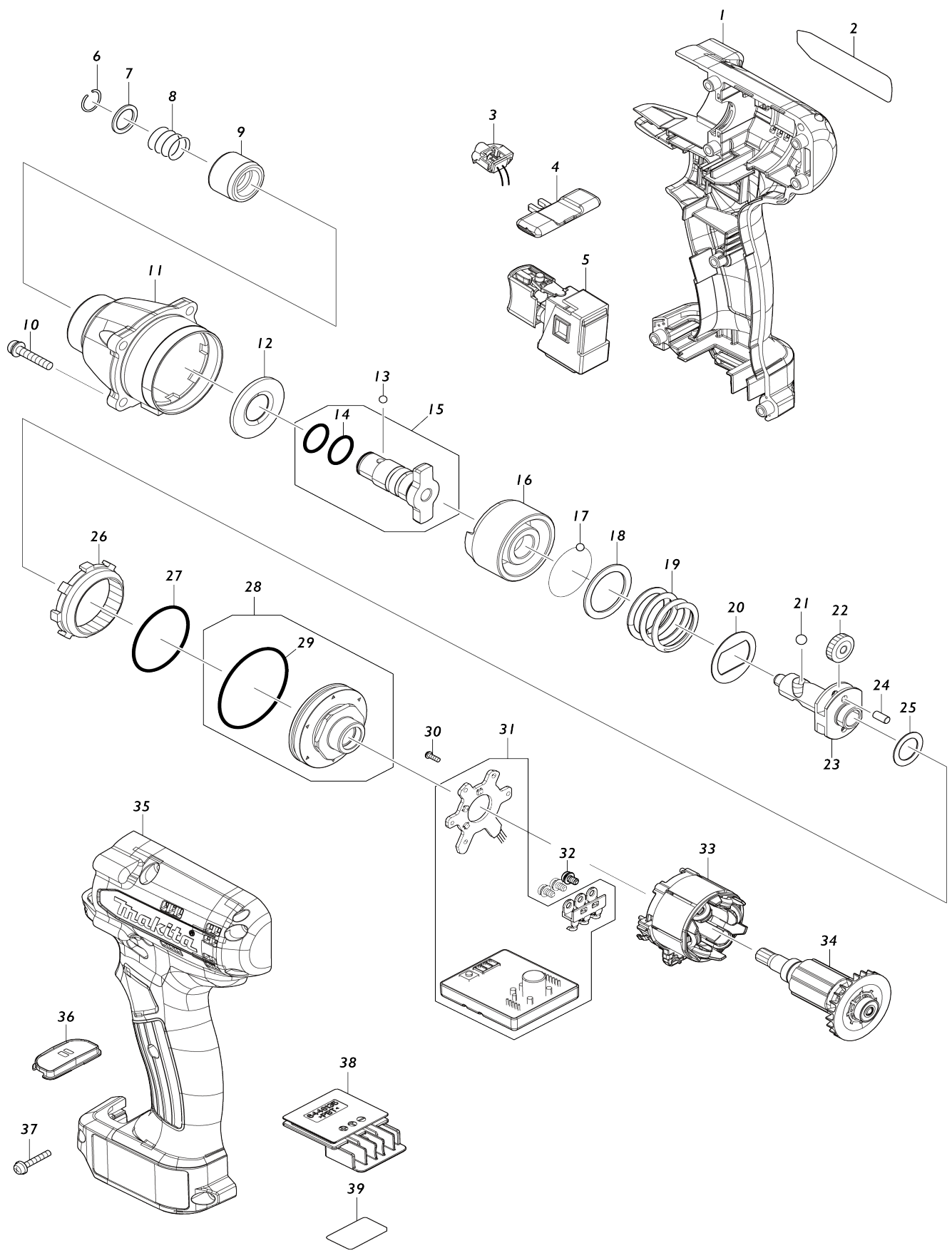


Model No.TD112D CORDLESS IMPACT DRIVER



Model No.TD112D CORDLESS IMPACT DRIVER

Item No.	Parts No.	Description	Interchangability	Q'ty	New/Old	Note1	Note2
001	183T35-7	HOUSING SET		1	*		
C10	931002-4	HEX. NUT M3		7	*		
D10		INC. 35					
001-1	183T35-7	HOUSING SET	<	1			
C10	931002-4	HEX. NUT M3		7			
D10		INC. 35					
002	811U28-7	TD112D NAME PLATE		1			
003	620999-9	LED CIRCUIT		1			
004	455053-8	F/R CHANGE LEVER		1			
005	140L08-5	SWITCH COMPLETE		1			
C10	422465-0	SWITCH COVER		1			
006	231951-8	RING SPRING 11		1			
007	267085-1	FLAT WASHER 12		1			
008	233005-7	COMPRESSION SPRING 13		1			
009	162257-2	SLEEVE		1			
010	265145-3	+ PAN HEAD SCREW M4X22		4			
011	141C02-6	HAMMER CASE COMPLETE		1			
012	261170-2	NYLON WASHER 14		1			
013	216001-0	STEEL BALL 3.5		2			
014	213118-0	O RING 12		2			
015	136500-5	ANVIL M ASSY		1			
D10		INC. 14					
016	327821-8	HAMMER		1			
017	216019-1	STEEL BALL 3		25			
018	267352-4	FLAT WASHER 22		1			
019	232701-4	COMPRESSION SPRING 21		1			
020	267813-4	WASHER 21		1			
021	216002-8	STEEL BALL 4.8		2			
022	221437-0	SPUR GEAR 17		2			
023	327818-7	SPINDLE		1			
024	268217-3	PIN 3.5		2			
025	253052-2	FLAT WASHER 12		1			
026	227316-0	INTERNAL GEAR 43		1			
027	213479-8	O RING 33		1			
028	136499-4	BEARING BOX ASS'Y		1			
D10		INC. 29					
029	213533-8	O-RING 39		1			
030	266490-9	TAPPING SCREW PT 2X6		3			
031	620F09-8	CONTROLLER		1			
032	652069-6	FLAT HEAD SCREW M3X6		3			
033	629A80-9	STATOR		1			
034	619415-6	ROTOR		1			
035	183T35-7	HOUSING SET		1	*		
C10	931002-4	HEX. NUT M3		7	*		
D10		INC. 1					
035-1	183T35-7	HOUSING SET	<	1			
C10	931002-4	HEX. NUT M3		7			

D10		INC. 1				
036	141C03-4	SWITCH PLATE COMPLETE		1		
C10	8037R1-3	SWITCH LABEL		1		
037	265095-2	PAN HEAD SCREW M3X20		7		
038	644813-5	TERMINAL		1		
039	811U35-0	TD112D SERIAL NO. LABEL		1		

Please state Parts No. when your order.

Print Date 27/10/2023