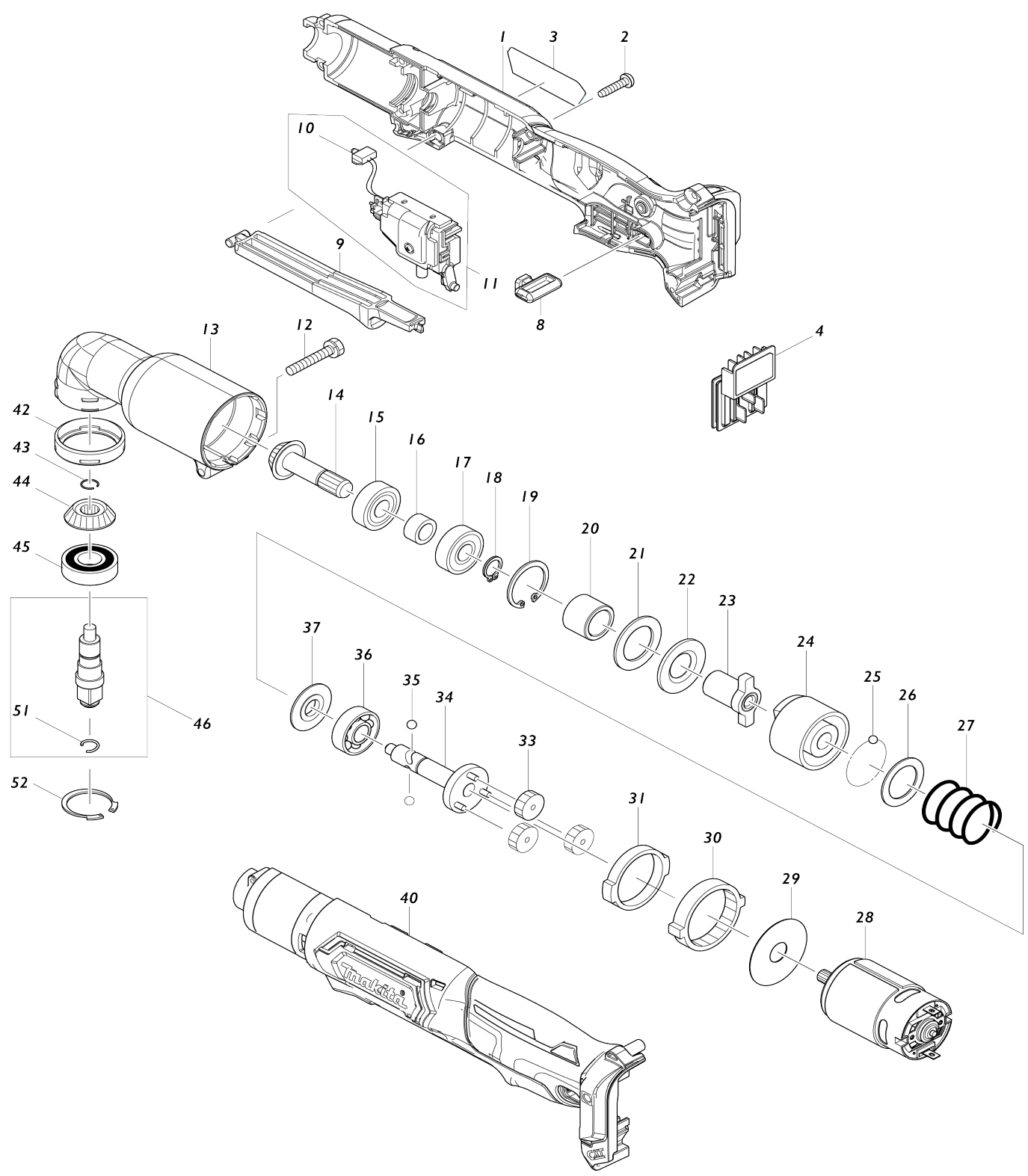


Model No.TL065D CORDLESS ANGLE IMPACT WRENCH



Model No.TL065D CORDLESS ANGLE IMPACT WRENCH

Item No.	Parts No.	Description	Interchangability	Q'ty	New/Old	Note1	Note2
001	183G43-0	HOUSING SET		1			
C10	252126-6	HEX. LOCK NUT M4-7		2			
D10		INC. 40					
002	266130-9	TAPPING SCREW BIND PT 3X16		8			
003	853H05-5	TL065D NAME PLATE		1			
004	644813-5	TERMINAL		1			
008	450126-2	FR CHANGE LEVER		1			
009	450125-4	SWITCH LEVER		1			
010	620690-9	LED CIRCUIT		1			
011	632K57-5	SWITCH UNIT		1			
D10		INC. 10					
012	265409-5	+ HEX. BOLT M5X30		1			
013	152461-1	ANGLE HEAD COMPLETE		1			
014	226720-0	ZEROL BEVEL GEAR 13		1	*		
014-1	227A73-6	ZEROL BEVEL GEAR 13	S	1			
015	210067-2	BALL BEARING 6000ZZ		1			
016	257428-5	SLEEVE 10		1			
017	210067-2	BALL BEARING 6000ZZ		1			
018	961006-2	RETAINING RING S-10		1			
019	962105-3	RETAINING RING R-26		1			
020	257429-3	SLEEVE 15		1			
021	261095-0	RUBBER WASHER 21		1			
022	267120-5	FLAT WASHER 15		1			
023	322689-7	ANVIL		1	*		
023-1	327000-8	ANVIL	O	1			
024	322688-9	HAMMER		1	*		
024-1	326999-4	HAMMER	O	1			
025	216001-0	STEEL BALL 3.5		22			
026	267121-3	FLAT WASHER 20		1			
027	233107-9	COMPRESSION SPRING 22		1			
028	629273-2	DC MOTOR		1			
029	267053-4	FLAT WASHER 12		1			
030	226280-2	INTERNAL GEAR 69		1			
031	257187-1	RING 32		1			
033	226279-7	SPUR GEAR 29		3			
034	154416-2	SPINDLE COMPLETE		1	*		
034-1	140K00-5	SPINDLE COMPLETE	O	1			
035	216002-8	STEEL BALL 4.8		2			
036	211472-6	BALL BEARING 6000		1			
037	322719-4	WASHER 10		1			
040	183G43-0	HOUSING SET		1			
C10	252126-6	HEX. LOCK NUT M4-7		2			
D10		INC. 1					
042	424044-0	RUBBER RING 32		1			
043	231990-8	RING SPRING 9		1			
044	226721-8	ZEROL BEVEL GEAR 13		1	*		
044-1	227A74-4	ZEROL BEVEL GEAR 13	S	1			

045	211131-2	BALL BEARING 6001DDW		1		
046	135899-5	SPINDLE ASS'Y		1		
D10		INC. 51				
051	231964-9	RING SPRING 7		1		
052	962116-8	RETAINING RING R-28		1		
A01	266622-8	+ TRUSS HEAD SCREW M4X12		1		
A02	346909-5	HOOK		1		
F01	192439-2	RATCHET ATTACHMENT SET		1		
F03	192486-3	STRAIGHT HEAD		1		
F16	198968-3	BATTERY BL1016 SET		1	*	
F17	198969-1	BATTERY BL1016 SET (2PIECES)		1	*	
F18-1	198970-6	BATTERY BL1021B SET (2PIECES)	O	1	*	
F19-1	199002-2	BATTERY BL1041B SET (2PIECES)	O	1	*	
A03	456128-6	BATTERY COVER		1		
A04	***DC10SA	DC10SA BATTERY CHARGER		1	*	
A04-1	***DC10SB	DC10SB BATTERY CHARGER	<	1		
A05	197394-3	BATTERY BL1020B SET		2	*	
A05-1	197396-9	BATTERY BL1021B SET	<	2	*	
A05-2	197396-9	BATTERY BL1021B SET	O	2		
A06	821549-5	CONNECTOR PLASTIC CASE (TYP E1)		1		
C10	453974-8	LATCH		4		
A07	812Y60-8	TL065DSAJ INDICATION LABEL		1		
A08	812Y61-6	TL065DSAJ PLASTIC CASE LABEL		2		
A09	839287-5	INNER TRAY		1		

Please state Parts No. when your order.

Print Date 11/20/2023