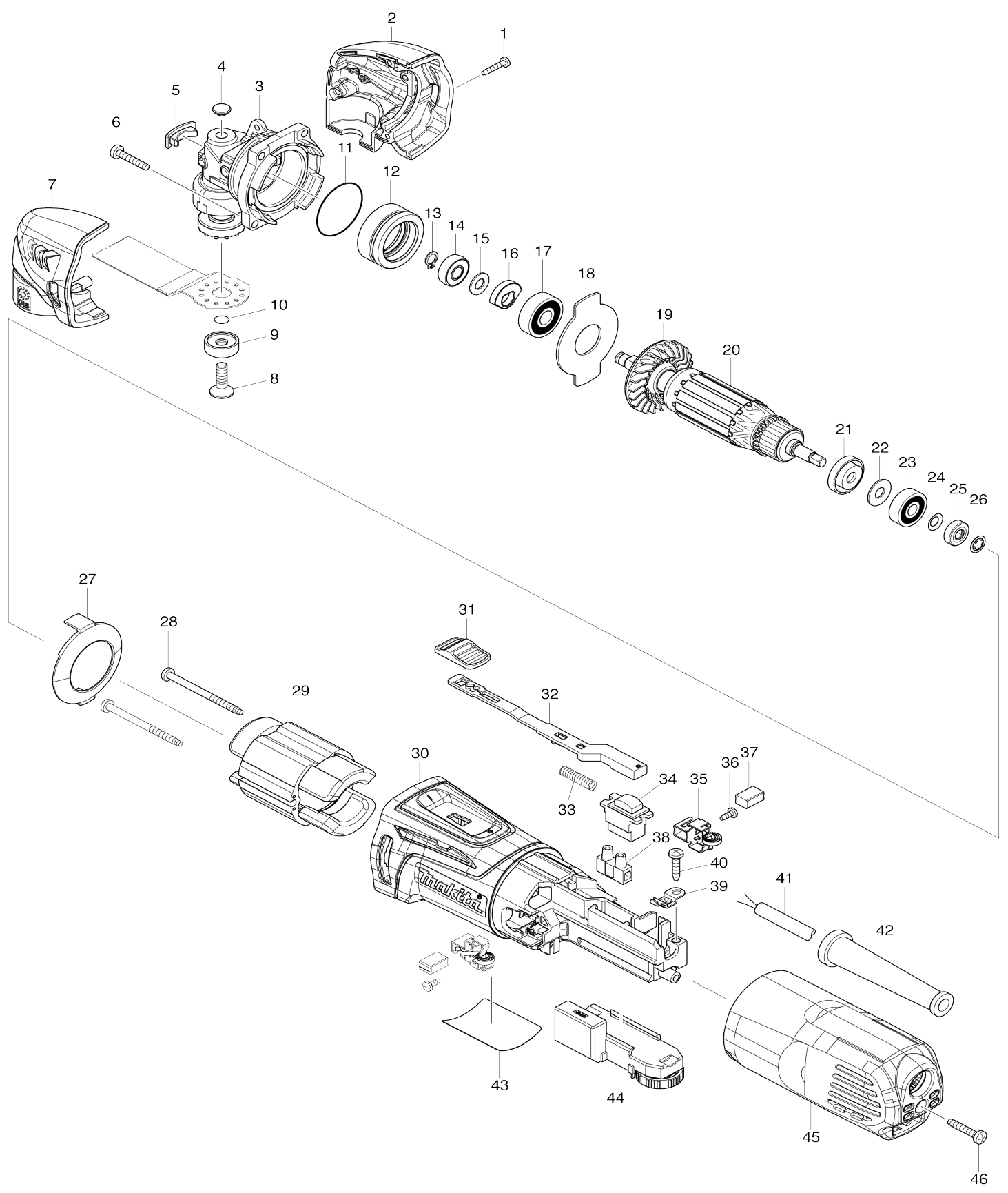


Model No.TM3000C MULTI TOOL



Model No.TM3000C MULTI TOOL

Item No.	Parts No.	Description	Interchangability	Q'ty	New/Old	Note1	Note2
001	266429-2	TAPPING SCREW 3X16		3			
002	187373-9	HEAD COVER SET		1			
D10		INC. 7					
003	141640-6	CRANK HOUSING COMPLETE		1	*		
003-1	142075-4	CRANK HOUSING COMPLETE	<	1	*		
003-2	142399-8	CRANK HOUSING COMPLETE	<	1			
004	424511-5	CRANK HOUSING CAP B		1			
005	424510-7	CRANK HOUSING CAP A		1			
006	266424-2	TAPPING SCREW 4X20		4			
007	187373-9	HEAD COVER SET		1			
D10		INC. 2					
008	266783-4	HEX.SOCKET C.S.H.SCREW M6X20		1	*		
008-1	265674-6	HEX. SOKCET HEAD BOLT M6X14	S	1			
009	224455-7	OUTER FLANGE 22		1	*		
010	213021-5	O RING 5		1	*		
011	213479-8	O RING 33		1			
012	326199-6	BEARING BOX		1			
013	961003-8	RETAINING RING S-7		1			
014	211392-4	SPHERE BEARING 706		1			
015	253133-2	FLAT WASHER 7		1			
016	313245-4	BALANCER		1			
017	211092-6	BALL BEARING 629DDW		1	*		
017-1	210194-5	BALL BEARING 629DDW	O	1			
018	285857-2	BEARING RETAINNER		1			
019	240140-4	FAN 46		1			
020	517683-4	ARMATURE ASSEMBLY 220-240V		1	*		
D10		INC. 19,21-26					
020-1	510480-7	ARMATURE ASSY 220-240V	O	1			
D10		INC. 19,21-26					
021	681636-0	INSULATION WASHER		1			
022	267426-1	FLAT WASHER 7		1			
023	210023-2	BALL BEARING 627DDW		1	*		
023-1	210193-7	BALL BEARING 627DDW	O	1			
024	267756-0	WAVE WASHER 6		1			
025	688174-3	MAGNET SLEEVE		1	*		
025-1	688117-5	MAGNET SLEEVE	O	1			
026	259039-2	SELF LOCK 6		1			
027	453828-9	BAFFLE PLATE		1			
028	266415-3	TAPPING SCREW 4X55		2			
029	623558-8	FIELD 220-240V		1			
030	453823-9	MOTOR HOUSING		1			
031	453761-5	SWITCH KNOB		1			
032	453825-5	SWITCH LEVER		1			
033	234263-8	COMPRESSION SPRING 5		1			
034	651609-7	SWITCH SS106A-7-1		1			
035	643839-4	BRUSH HOLDER 6X9		2			
036	266492-5	TAPPING SCREW 3X8		2			

037	194722-3	CARBON BRUSH CB-459		1			
038	654532-5	TERMINAL BLOCK 1P		1			
039	687681-3	STRAIN RELIEF		1			
040	266326-2	TAPPING SCREW 4X18		1			
041	665399-6	POWER SUPPLY CORD 1.0-2-5.0		1			
042	682569-2	CORD GUARD 8-85		1			
043	897303-9	TM3000C NAME PLATE		1			
044	620149-6	CONTROLLER		1			
045	453824-7	REAR COVER		1			
046	266424-2	TAPPING SCREW 4X20		1			
A01	410047-0	WRENCH HOLDER 5.6		1			
A02	783203-8	HEX. WRENCH 5		1			
A03	196055-2	TOOL SET K		1	*		
A04	821537-2	PLASTIC CARRYING CASE		1	*		
C10	162315-4	LATCH		2	*		
C20	452137-3	HANDLE		1	*		
A04-1	821596-6	PLASTIC CARRYING CASE	<	1			
C10	162315-4	LATCH		2			
C20	452137-3	HANDLE		1			
A05	800F11-9	TM3000CX1 PLASTIC CASE LABEL		2			
A06	196022-7	DUST ATTACHMENT SET		1	*		
C10	443177-2	FELT RING 37		1	*		
C20	453829-7	DUST ATTACHMENT		1	*		
C30	453832-8	JOINT		1	*		
C40	453834-4	DUST NOZZLE A		1	*		
C50	453835-2	NOZZLE BAND A		1	*		
A06-1	199618-3	DUST ATTACHMENT SET	<	1			
C10	443177-2	FELT RING 37		1			
C20	453829-7	DUST ATTACHMENT		1			
C30	453832-8	JOINT		1			
C40	453834-4	DUST NOZZLE A		1			
C50	453835-2	NOZZLE BAND A		1			
C60	422362-0	FELT RING 47		1			
C70	459362-7	SPACER		1			
A07	196272-4	ADAPTER A SET		1	*		
A07-1	196271-6	ADAPTER A SET	<	1	*		
A08	B-21325	SEGMENT SAW BLADE 85 TMA006		1	*		
A08-1	B-21325	SEGMENT SAW BLADE 85 TMA006	O	1	*		
A08-2	B-64799	STARLOCK SEGMENTSAW 85 TM A045	O	1			
A09	B-21353	PLUNGE CUT SAW BLADE 28 TM A009		1	*		
A09-1	B-21353	PLUNGE CUT SAW BLADE 28 TM A009	O	1	*		
A09-2	B-64814	STARLOCK CUTSAW 32 TMA047 BIM	O	1			
A10	B-21537	SANDING PAD		1	*		
A10-1	B-46202	SANDING PAD	<	1	*		
A10-2	B-65115	STARLOCK SANDING PAD 93 TM A078	O	1	*		
A10-3	B-46202	SANDING PAD	O	1	*		

A10-4	B-65115	STARLOCK SANDING PAD 93 TM A078	O	1			
A11	821538-0	TOOL BOX		1			
A03	196144-3	TOOL SET R		1	*		
A05	800F14-3	TM3000CX3 PLASTIC CASE LABEL		2			
A09	B-21331	SEGMENT SAW BLADE 85 TMA007		1	*		
A09-1	B-21331	SEGMENT SAW BLADE 85 TMA007	O	1	*		
A09-2	B-64836	STARLOCK SEGMENTSAW 85 TM A049	O	1			
A10	B-21353	PLUNGE CUT SAW BLADE 28 TM A009		1	*		
A10-1	B-21353	PLUNGE CUT SAW BLADE 28 TM A009	O	1	*		
A10-2	B-64814	STARLOCK CUTSAW 32 TMA047 BIM	O	1			
A11	B-21369	PLUNGE CUT SAW BLADE 32 TM A010		1	*		
A11-1	B-21369	PLUNGE CUT SAW BLADE 32 TM A010	O	1	*		
A11-2	B-64870	STARLOCK CUTSAW 32 TMA053 BIM	O	1			
A12	B-21381	PLUNGE CUT SAW BLADE 32 TM A012		1	*		
A12-1	B-21381	PLUNGE CUT SAW BLADE 32 TM A012	O	1	*		
A12-2	B-64858	STARLOCK CUTSAW 32 TMA051 HCS	O	1			
A13	B-21428	PLUNGE CUT SAW BLADE 20 TM A016		1	*		
A13-1	B-21428	PLUNGE CUT SAW BLADE 20 TM A016	O	1	*		
A13-2	B-64923	STARLOCK CUTSAW 20 TMA058 BIM	O	1	*		
A13-3	B-64923	STARLOCK CUTSAW 20 TMA058 BIM	O	1			
A14	B-21434	PLUNGE CUT SAW BLADE 10 TM A017		1	*		
A14-1	B-21434	PLUNGE CUT SAW BLADE 10 TM A017	O	1	*		
A14-2	B-64917	STARLOCK CUTSAW 10 TMA057 BIM	O	1	*		
A14-3	B-64917	STARLOCK CUTSAW 10 TMA057 BIM	O	1			
A15	B-21456	SCRAPER 52 FLEXIBLE TMA019		1	*		
A15-1	B-21456	SCRAPER 52 FLEXIBLE TMA019	O	1	*		
A15-2	B-64995	STARLOCK SCRAPERFLEXIBLE TM A66	O	1			
A16	B-21490	HM SEG SAW BLADE 85 TMA023		1	*		
A16-1	B-21490	HM SEG SAW BLADE 85 TMA023	O	1	*		
A16-2	B-65028	STARLOCK SEGMENTSAW 85 TM A069	O	1			
A17	B-21509	HM SEG SAW BLADE 65 TMA024		1	*		
A17-1	B-21509	HM SEG SAW BLADE 65 TMA024	O	1	*		
A17-2	B-65040	STARLOCK SEGMENTSAW 70 TM A071	O	1			
A18	B-21624	ABRASIVEPAPER DELTA RED 60		1			
A19	B-21630	ABRASIVEPAPER DELTA RED 80		1			

A20	B-22947	ABRASIVEPAPER DELTA RED 100		1			
A21	B-22953	ABRASIVEPAPER DELTA RED 150		1			
A22	B-21668	ABRASIVEPAPER DELTA RED 240		1			
A23	B-21537	SANDING PAD		1	*		
A23-1	B-46202	SANDING PAD	<	1	*		
A23-2	B-65115	STARLOCK SANDING PAD 93 TM A078	O	1	*		
A23-3	B-46202	SANDING PAD	O	1	*		
A23-4	B-65115	STARLOCK SANDING PAD 93 TM A078	O	1			
A24	821538-0	TOOL BOX		1			
A03	454247-2	PIN 4		4	*		
A04	821538-0	TOOL BOX		1			
A05	821550-0	CONNECTOR PLASTIC CASE (TYP E2)		1	*		
C10	453974-8	LATCH		4	*		
A05-1	821550-0	CONNECTOR PLASTIC CASE (TYP E2)	<	1			
C10	453974-8	LATCH		4			
A06	837673-4	INNER TRAY		1			
A07	800551-5	TM3000CJ INDICATION LABEL		1			
A08	800552-3	TM3000CJ PLASTIC CASE LABEL		2			
A04	821550-0	CONNECTOR PLASTIC CASE (TYP E2)		1	*		
C10	453974-8	LATCH		4	*		
A04-1	821550-0	CONNECTOR PLASTIC CASE (TYP E2)	<	1			
C10	453974-8	LATCH		4			
A05	837673-4	INNER TRAY		1			
A12	800553-1	TM3000CX1J INDICATION LABEL		1			
A13	800554-9	TM3000CX1J PLASTIC CASE LABEL		2			
A25	800557-3	TM3000CX3J INDICATION LABEL		1			
A26	800558-1	TM3000CX3J PLASTIC CASE LABEL		2			

Please state Parts No. when your order.

Print Date 02/16/2024