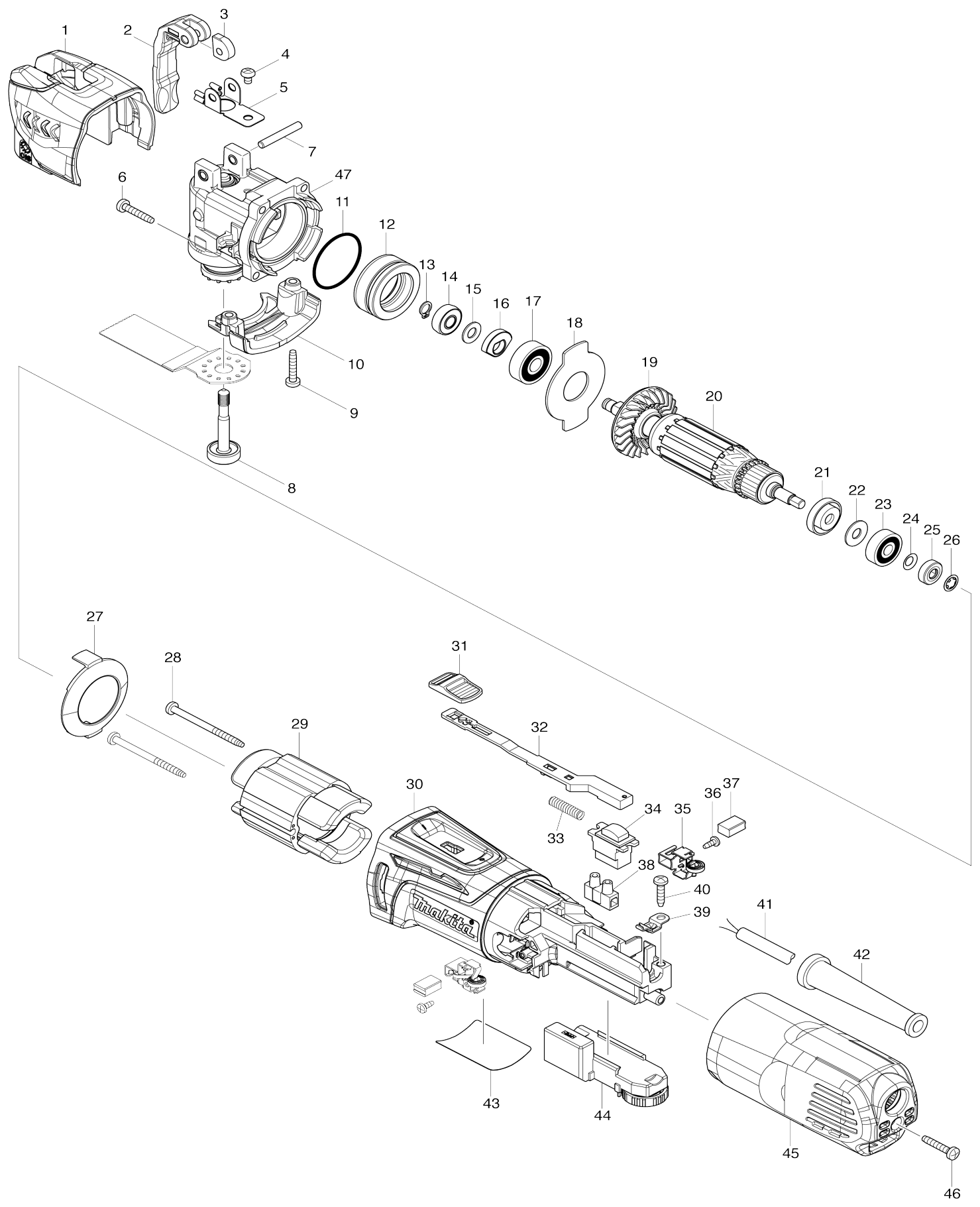


# Model No.TM3010C MULTI TOOL



Model No.TM3010C MULTI TOOL

Item No.	Parts No.	Description	Interchangability	Q'ty	New/Old	Note1	Note2
001	454634-5	UPPER HEAD COVER		1	*		
001-1	455272-6	UPPER HEAD COVER	O	1			
002	319059-9	LEVER		1			
003	313268-2	TURN BLOCK		1			
004	911102-6	PAN HEAD SCREW M4X6		1			
005	232282-8	LEAF SPRING		1			
006	266424-2	TAPPING SCREW 4X20		4			
007	268306-4	PIN 5		1			
008	326346-9	HOLDER BOLT		1	*		
008-1	327176-1	HOLDER BOLT	<	1			
009	266424-2	TAPPING SCREW 4X20		2			
010	454635-3	LOWER HEAD COVER		1			
011	213343-3	O RING 35		1			
012	326347-7	BEARING BOX		1			
013	961003-8	RETAINING RING S-7		1			
014	211392-4	SPHERE BEARING 706		1	*		
014-1	210164-4	SPHERE BEARING 706	O	1			
015	253133-2	FLAT WASHER 7		1			
016	313245-4	BALANCER		1			
017	211092-6	BALL BEARING 629DDW		1			
018	285857-2	BEARING RETAINNER		1			
019	240140-4	FAN 46		1			
020	517683-4	ARMATURE ASSEMBLY 220-240V		1			
D10		INC. 19,21-26					
021	681636-0	INSULATION WASHER		1			
022	267426-1	FLAT WASHER 7		1			
023	210023-2	BALL BEARING 627DDW		1			
024	267756-0	WAVE WASHER 6		1			
025	688174-3	MAGNET SLEEVE		1	*		
025-1	688117-5	MAGNET SLEEVE	O	1			
026	259039-2	SELF LOCK 6		1			
027	453828-9	BAFFLE PLATE		1			
028	266415-3	TAPPING SCREW 4X55		2			
029	623558-8	FIELD 220-240V		1			
030	453823-9	MOTOR HOUSING		1			
031	453761-5	SWITCH KNOB		1			
032	453825-5	SWITCH LEVER		1			
033	234263-8	COMPRESSION SPRING 5		1			
034	651609-7	SWITCH SS106A-7-1		1			
035	643839-4	BRUSH HOLDER 6X9		2			
036	266492-5	TAPPING SCREW 3X8		2			
037	194722-3	CARBON BRUSH CB-459		1			
038	654532-5	TERMINAL BLOCK 1P		1			
039	687681-3	STRAIN RELIEF		1			
040	266326-2	TAPPING SCREW 4X18		1			
041	665399-6	POWER SUPPLY CORD 1.0-2-5.0		1			
042	682569-2	CORD GUARD 8-85		1			

043	814T82-4	TM3010C NAME PLATE		1			
044	620234-5	CONTROLLER		1			
045	453824-7	REAR COVER		1			
046	266424-2	TAPPING SCREW 4X20		1			
047	142208-1	CRANK HOUSING COMPLETE		1	*		
047-1	143249-0	CRANK HOUSING COMPLETE	<	1			
A01	142257-8	TOOL BOX COMPLETE		1	*		
C10	454652-3	LATCH		1	*		
A01-1	143308-0	TOOL BOX COMPLETE WITH LABEL	O	1			
C10	454652-3	LATCH		1			
A02	454247-2	PIN 4		4	*		
A03	821550-0	CONNECTOR PLASTIC CASE (TYPE2)		1	*		
C10	453974-8	LATCH		4	*		
A03-1	821550-0	CONNECTOR PLASTIC CASE (TYPE2)	<	1			
C10	453974-8	LATCH		4			
A04	837773-0	INNER TRAY		1			
A05	802B42-0	TM3010CJ INDICATION LABEL		1			
A06	802B43-8	TM3010CJ PLASTIC CASE LABEL		2			
006-1	265D38-8	TAPPING SCREW 4X20	O	4			
009-1	265D38-8	TAPPING SCREW 4X20	O	2			
011-1	213A08-3	O RING 35	O	1			
028-1	265D37-0	TAPPING SCREW 4X55	O	2			
036-1	265D33-8	TAPPING SCREW 3X8	O	2			
040-1	265B67-9	TAPPING SCREW 4X18	O	1			
046-1	265D38-8	TAPPING SCREW 4X20	O	1			
A05	802B46-2	TM3010CX2J INDICATION LABEL		1			
A06	802B47-0	TM3010CX2J PLASTIC CASE LABEL		2			
A07	196550-2	DUST ATTACHMENT SET		1	*		
C10	443177-2	FELT RING 37		1	*		
C20	453832-8	JOINT		1	*		
C30	453835-2	NOZZLE BAND A		1	*		
C40	454636-1	DUST ATTACHMENT		1	*		
C50	454637-9	DUST NOZZLE D		1	*		
A07-1	199624-8	DUST ATTACHMENT SET	<	1			
C10	443177-2	FELT RING 37		1			
C20	453832-8	JOINT		1			
C30	453835-2	NOZZLE BAND A		1			
C40	454636-1	DUST ATTACHMENT		1			
C50	454637-9	DUST NOZZLE D		1			
C60	422362-0	FELT RING 47		1			
C70	459362-7	SPACER		1			
A08	196272-4	ADAPTER A SET		1	*		
A08-1	196271-6	ADAPTER A SET	<	1	*		
A09	B-21325	SEGMENT SAW BLADE 85 TMA006		1	*		
A09-1	B-64799	STARLOCK SEGMENTSAW 85 TMA045	O	1			
A10	B-21331	SEGMENT SAW BLADE 85 TMA007		1	*		
A10-1	B-64836	STARLOCK SEGMENTSAW 85 TM	O	1	*		

		A049					
A10-2	B-64842	STARLOCK CUTSAW 24 TMA050 HCS	O	1			
A11	B-21353	PLUNGE CUT SAW BLADE 28 TM A009		1	*		
A11-1	B-64814	STARLOCK CUTSAW 32 TMA047 BIM	O	1			
A12	B-21369	PLUNGE CUT SAW BLADE 32 TM A010		1	*		
A12-1	B-64870	STARLOCK CUTSAW 32 TMA053 BIM	O	1			
A13	B-21381	PLUNGE CUT SAW BLADE 32 TM A012		1	*		
A13-1	B-64858	STARLOCK CUTSAW 32 TMA051 HCS	O	1			
A14	B-21428	PLUNGE CUT SAW BLADE 20 TM A016		1	*		
A14-1	B-64923	STARLOCK CUTSAW 20 TMA058 BIM	O	1	*		
A14-2	B-64923	STARLOCK CUTSAW 20 TMA058 BIM	O	1			
A15	B-21434	PLUNGE CUT SAW BLADE 10 TM A017		1	*		
A15-1	B-64917	STARLOCK CUTSAW 10 TMA057 BIM	O	1	*		
A15-2	B-64917	STARLOCK CUTSAW 10 TMA057 BIM	O	1			
A16	B-21456	SCRAPER 52 FLEXIBLE TMA019		1	*		
A16-1	B-64995	STARLOCK SCRAPERFLEXIBLE TM A66	O	1			
A17	B-21490	HM SEG SAW BLADE 85 TMA023		1	*		
A17-1	B-65028	STARLOCK SEGMENTSAW 85 TM A069	O	1			
A18	B-21509	HM SEG SAW BLADE 65 TMA024		1	*		
A18-1	B-65040	STARLOCK SEGMENTSAW 70 TM A071	O	1			
A19	B-21537	SANDING PAD		1	*		
A19-1	B-46202	SANDING PAD	<	1	*		
A19-2	B-65115	STARLOCK SANDING PAD 93 TM A078	O	1	*		
A19-3	B-46202	SANDING PAD	O	1	*		
A19-4	B-65115	STARLOCK SANDING PAD 93 TM A078	O	1			
A20	B-21624	ABRASIVEPAPER DELTA RED 60		1			
A21	B-21668	ABRASIVEPAPER DELTA RED 240		1			
A22	B-21630	ABRASIVEPAPER DELTA RED 80		1			
A23	B-22947	ABRASIVEPAPER DELTA RED 100		1			
A24	B-22953	ABRASIVEPAPER DELTA RED 150		1			
A25	821591-6	TOOL BOX		2			
C10	454652-3	LATCH		2			
A05	802B52-7	TM3010CX5J INDICATION LABEL		1			
A06	8007F7-8	TM3010CX5J PLASTIC CASE LABEL		2			
A11-1	B-64842	STARLOCK CUTSAW 24 TMA050 HCS		1			

Please state Parts No. when your order.

Print Date 02/16/2024