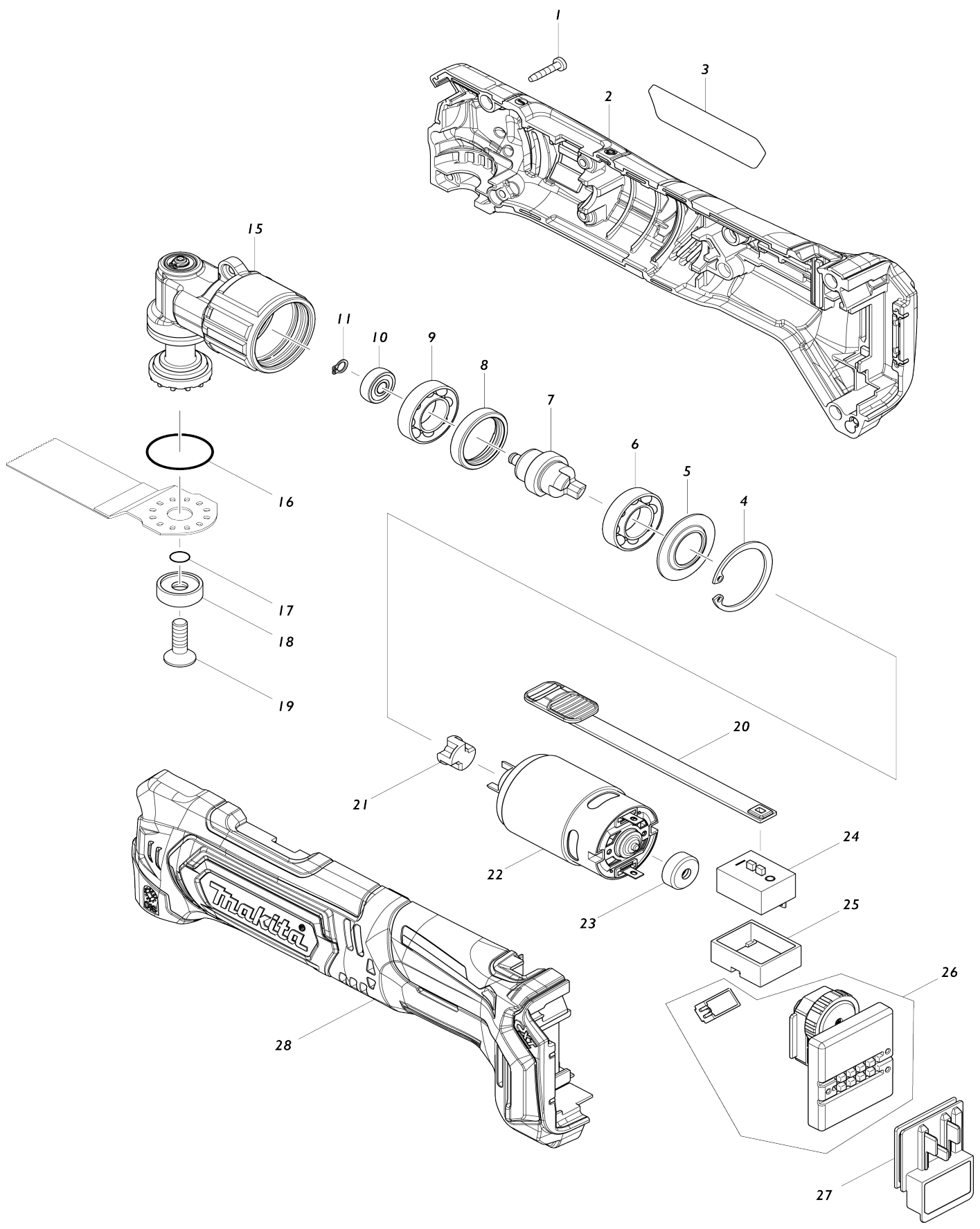


Model No.TM30D CORDLESS MULTI TOOL



Model No.TM30D CORDLESS MULTI TOOL

Item No.	Parts No.	Description	Interchangability	Q'ty	New/Old	Note1	Note2
001	266429-2	TAPPING SCREW 3X16		12			
002	183E32-3	MOTOR HOUSING SET		1			
C10	263039-6	RUBBER PIN 4		3			
C20	424859-5	CUSHION		2			
D10		INC. 28					
003	852E52-5	TM30D NAME PLATE		1	*		
003-1	852E51-7	TM30D NAME PLATE	<	1			
004	962151-6	RETAINING RING R-32		1			
005	253368-5	WASHER 16		1			
006	210147-4	BALL BEARING 6902		1			
007	326719-6	CRANK SHAFT		1			
008	456788-4	SPACER 21		1			
009	210147-4	BALL BEARING 6902		1			
010	210144-0	SPHERE BEARING 505		1			
011	961008-8	RETAINING RING S-5		1			
015	144085-7	CRANK HOUSING COMPLETE		1			
016	213987-9	O-RING 25		1			
017	213021-5	O RING 5		1	*		
018	224455-7	OUTER FLANGE 22		1	*		
019	266783-4	HEX.SOCKET C.S.H.SCREW M6X20		1	*		
019-1	265674-6	HEX. SOKCET HEAD BOLT M6X14	S	1			
020	456791-5	SWITCH KNOB		1			
021	424833-3	SPACER		1			
022	629221-1	DC MOTOR		1			
023	424467-2	CAP		1			
024	651610-2	SWITCH		1			
025	424860-0	SWITCH COVER		1			
026	620522-0	CONTROLLER		1			
C10	620543-2	LED CIRCUIT		1			
027	644813-5	TERMINAL		1			
028	183E32-3	MOTOR HOUSING SET		1			
C10	263039-6	RUBBER PIN 4		3			
C20	424859-5	CUSHION		2			
D10		INC. 2					
A01	783233-9	HEX. WRENCH 5		1			
F08	198968-3	BATTERY BL1016 SET		1	*		
F09	198969-1	BATTERY BL1016 SET (2PIECES)		1	*		
F10-1	198970-6	BATTERY BL1021B SET (2PIECES)	O	1	*		
F11-1	199002-2	BATTERY BL1041B SET (2PIECES)	O	1	*		

Please state Parts No. when your order.

Print Date 12/11/2023