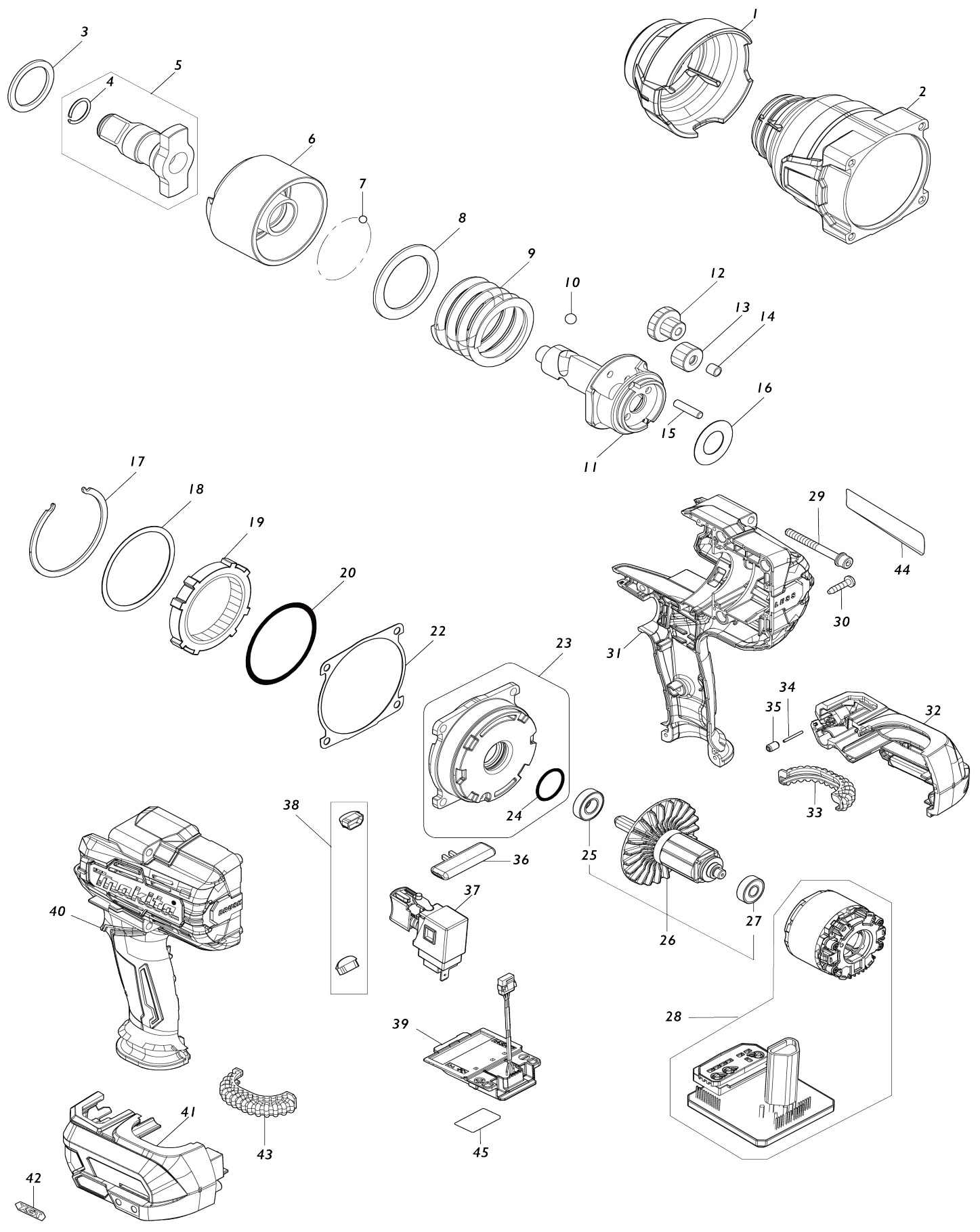


Model No.TW001G CORDLESS IMPACT WRENCH



Model No.TW001G CORDLESS IMPACT WRENCH

Item No.	Parts No.	Description	Interchangability	Q'ty	New/Old	Note1	Note2
001	422594-9	BUMPER		1			
002	140T99-4	HAMMER CASE COMPLETE		1			
003	267250-2	FLAT WASHER 30		1			
004	232334-5	RING SPRING 16		1			
005	136249-7	ANVIL E ASS'Y		1			
D10		INC. 4					
006	327595-1	HAMMER		1			
007	216002-8	STEEL BALL 4.8		30			
008	253478-8	FLAT WASHER 41		1			
009	232623-8	COMPRESSION SPRING 41		1			
010	216009-4	STEEL BALL 7.1		2			
011	327594-3	SPINDLE		1			
012	226990-1	SPUR GEAR 11-22		2			
013	226989-6	SPUR GEAR 15		2	*		
013-1	227935-2	SPUR GEAR 15	S	2			
014	257539-6	SLEEVE 5		2	*		
015	268238-5	PIN 5		4			
016	267235-8	FLAT WASHER 18		1			
017	346947-7	RETAINER		1			
018	253479-6	FLAT WASHER 57		1			
019	226991-9	INTERNAL SPUR GEAR 50		1			
020	213663-5	O RING 55		1			
022	422595-7	GASKET		1			
023	136279-8	INTERNAL GEAR CASE ASS'Y		1			
D10		INC. 24					
024	213961-7	O RING 22		1			
025	210069-8	BALL BEARING 6900DDW		1			
026	519630-1	ROTOR ASSY		1			
D10		INC. 25,27					
027	211022-7	BALL BEARING 607ZZ		1			
028	629A16-8	STATOR UNIT		1			
C10	8012S9-8	SWITCH LABEL		1			
029	265B38-6	H. S. HEAD BOLT M5X50 WITH WRM		4			
030	266326-2	TAPPING SCREW 4X18		9	*		
030-1	265995-6	TAPPING SCREW 4X18	O	9			
031	183P61-2	HOUSING SET		1	*		
D10		INC. 40					
031-1	183V83-8	HOUSING SET	<	1	*		
D10		INC. 40					
031-2	1830R8-6	HOUSING SET	<	1			
D10		INC. 40					
032	183P62-0	BATTERY HOUSING SET		1	*		
C10	263005-3	RUBBER PIN 6		2	*		
C20	252126-6	HEX. LOCK NUT M4-7		4	*		
D10		INC. 41					
032-1	183S33-5	BATTERY HOUSING SET	S	1			
C10	263005-3	RUBBER PIN 6		2			

C20	252126-6	HEX. LOCK NUT M4-7		4			
D10		INC. 41					
033	424773-5	CUSHION RUBBER		1	*		
033-1	422810-9	CUSHION RUBBER	<	1	*		
033-2	422A55-5	CUSHION RUBBER	<	1			
034	268284-8	PIN 1.5		1	*		
035	263036-2	RUBBER PIN 5		1	*		
036	456268-0	F/R CHANGE LEVER		1			
037	140U03-9	SWITCH COMPLETE		1			
C10	424774-3	SWITCH COVER		1			
038	620D09-6	LED CIRCUIT		1			
039	632P49-4	TERMINAL UNIT		1			
040	183P61-2	HOUSING SET		1	*		
D10		INC. 31					
040-1	183V83-8	HOUSING SET	<	1	*		
D10		INC. 31					
040-2	1830R8-6	HOUSING SET	<	1			
D10		INC. 31					
041	183P62-0	BATTERY HOUSING SET		1	*		
C10	263005-3	RUBBER PIN 6		2	*		
C20	252126-6	HEX. LOCK NUT M4-7		4	*		
D10		INC. 32					
041-1	183S33-5	BATTERY HOUSING SET	S	1			
C10	263005-3	RUBBER PIN 6		2			
C20	252126-6	HEX. LOCK NUT M4-7		4			
D10		INC. 32					
042	8005T5-8	XGT LOGO LABEL		1	*		
043	424773-5	CUSHION RUBBER		1	*		
043-1	422810-9	CUSHION RUBBER	<	1	*		
043-2	422A55-5	CUSHION RUBBER	<	1			
044	857G20-5	TW001G NAME PLATE		1			
045	857G27-1	TW001G SERIAL NO. LABEL		1			
A01	251314-2	+ SCREW M4X12		2			
A02	346949-3	HOOK		1			
A03	412393-7	BATTERY COVER		2			
A04	***DC40RA	DC40RA FAST CHARGER		1			
D10		COMPO-PARTS					
A05	191B26-6	BATTERY BL4040 SET		2			
A06	821551-8	CONNECTOR PLASTIC CASE (TYP E3)		1			
C10	453974-8	LATCH		4			
A07	835K85-1	INNER TRAY		1			

Please state Parts No. when your order.

Print Date 02/19/2024