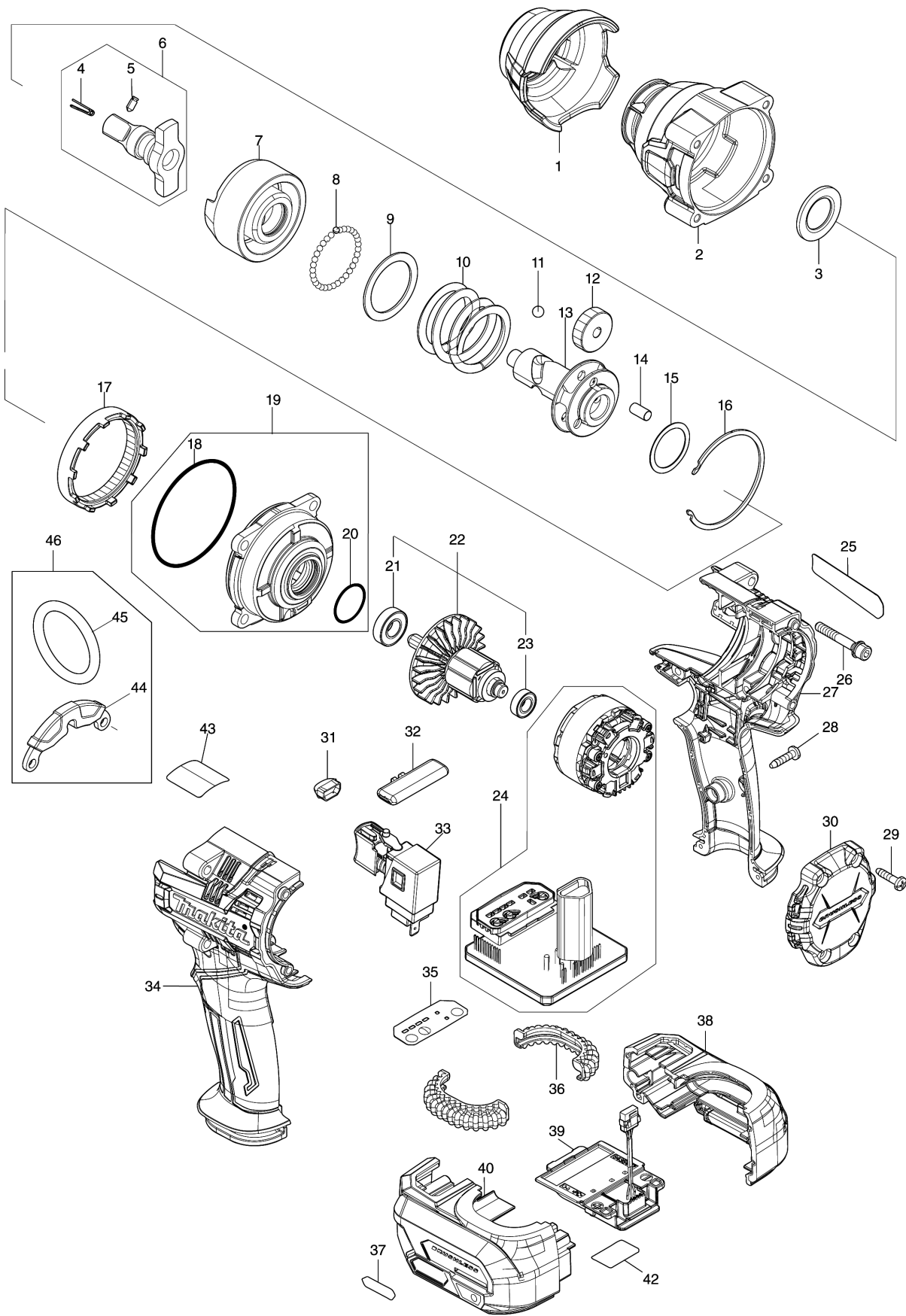


Model No.TW008G CORDLESS IMPACT WRENCH



Model No.TW008G CORDLESS IMPACT WRENCH

Item	Parts No.	Description	I/C	Qty	New/Old	Opt. 1	Opt. 2	Note
001	422709-8	BUMPER		1				
002	141A99-3	HAMMER CASE COMPLETE		1	*			
002-1	141U36-7	HAMMER CASE COMPLETE	<	1				
003	253481-9	FLAT WASHER 20		1				
004	322045-1	CLIP		1				
005	323675-1	PIN 4		1				
006	136411-4	ANVIL A ASSY		1				
D10		INC. 4,5						
007	327804-8	HAMMER		1				
008	216001-0	STEEL BALL 3.5		33				
009	267340-1	FLAT WASHER 32		1				
010	232708-0	COMPRESSION SPRING 34		1				
011	216007-8	STEEL BALL 6.4		2				
012	227891-6	SPUR GEAR 28		3				
013	327805-6	SPINDLE		1				
014	256211-7	PIN 6		3				
015	267494-4	FLAT WASHER 25		1	*			
015-1	267127-1	FLAT WASHER 26	O	1				
016	347832-7	RETAINER		1				
017	227892-4	INTERNAL SPUR GEAR 65		1				
018	213709-7	O RING 63		1				
019	136420-3	INTERNAL GEAR CASE ASSY		1				
D10		INC. 18,20						
020	213961-7	O RING 22		1				
021	210069-8	BALL BEARING 6900DDW		1				
022	519691-1	ROTOR ASSY		1				
D10		INC. 21,23						
023	210261-6	BALL BEARING 688LLB		1				
024	629A72-8	STATOR COMPLETE		1				
025	811F67-7	TW008G NAME PLATE		1				
026	251476-6	H.S.H.BOLT M5X35 WITH WR		4	*			
026-1	265D13-4	H.S.H.BOLT M5X35 WITH WRM	<	4				
027	183S74-1	HOUSING SET		1				
D10		INC. 34						
028	266326-2	TAPPING SCREW 4X18		7				
029	266326-2	TAPPING SCREW 4X18		4				
030	413602-7	REAR COVER		1				
031	620F48-8	LED CIRCUIT		1				
032	413603-5	F/R CHANGE LEVER		1				
033	140U03-9	SWITCH COMPLETE		1				
C10	424774-3	SWITCH COVER		1				
034	183S74-1	HOUSING SET		1				
D10		INC. 27						
035	8012S9-8	SWITCH LABEL		1				
036	424773-5	CUSHION RUBBER		2	*			

Please order the parts with part number.

Print Date 27/10/2023

Model No.TW008G CORDLESS IMPACT WRENCH

Item	Parts No.	Description	I/C	Qty	New/Old	Opt. 1	Opt. 2	Note
036-1	422A56-3	CUSHION RUBBER	<	2				
037	8005T5-8	XGT LOGO LABEL		1				
038	183S77-5	BATTERY HOUSING SET		1				
C10	263005-3	RUBBER PIN 6		2				
C20	252126-6	HEX. LOCK NUT M4-7		2				
D10		INC. 40						
039	632R99-1	TERMINAL UNIT		1				
040	183S77-5	BATTERY HOUSING SET		1				
C10	263005-3	RUBBER PIN 6		2				
C20	252126-6	HEX. LOCK NUT M4-7		2				
D10		INC. 38						
042	811F72-4	TW008G SERIAL NO. LABEL		1				
A01	251314-2	+ SCREW M4X12		1				
A02	346949-3	HOOK		1				
A03B	821551-8	CONNECTOR PLASTIC CASE (TYPE3)		1				
C10	453974-8	LATCH		4				
A03C	821551-8	CONNECTOR PLASTIC CASE (TYPE3)		1				
C10	453974-8	LATCH		4				
A04B	835K85-1	INNER TRAY		1				
A04C	835K85-1	INNER TRAY		1				
A05B	8033G9-6	TW008GD201 INDICATION LABEL		1				
A06B	8033H0-1	TW008GD201 PLASTIC CASE LABEL		2				
A07B	412393-7	BATTERY COVER		1				
A07C	412393-7	BATTERY COVER		2	*			
A07-1C	412393-7	BATTERY COVER	<	1				
A08B	***DC40RA	DC40RA FAST CHARGER		1				
D10		COMPO-PARTS						
A08C	***DC40RA	DC40RA FAST CHARGER		1				
D10		COMPO-PARTS						
A09B	191B36-3	BATTERY BL4025 SET		2				
A09C	191B26-6	BATTERY BL4040 SET		2				
F01	191G67-2	EXTENSION HANDLE SET		1				

Please order the parts with part number.

Print Date 27/10/2023