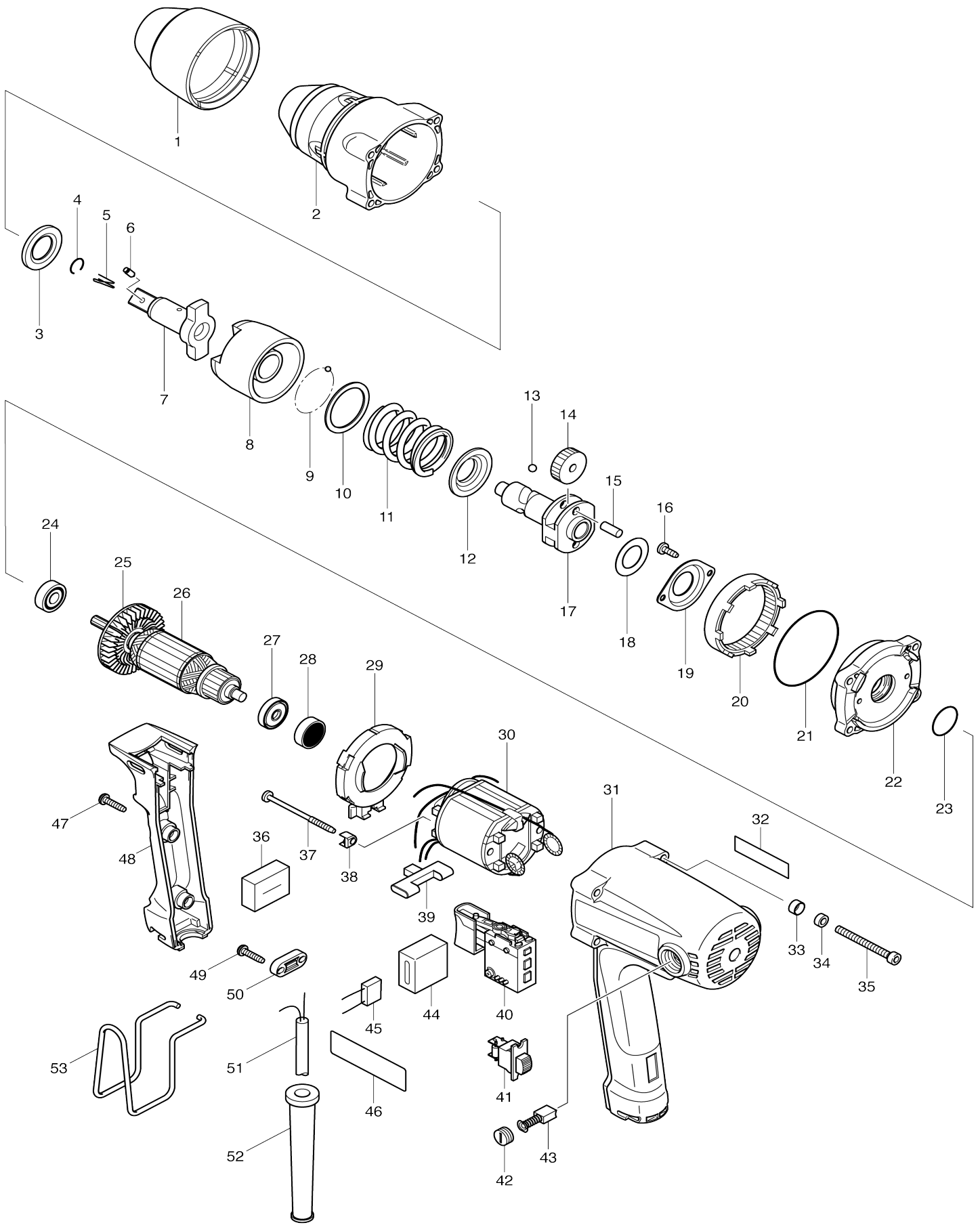


Model No.TW0200 IMPACT WRENCH



Model No.TW0200 IMPACT WRENCH

Item No.	Parts No.	Description	Interchangability	Q'ty	New/Old	Note1	Note2
001	421839-2	BUMPER		1			
002	153581-4	HAMMER CASE COMPLETE		1			
C10	213257-6	OIL SEAL 18		1			
C20	321119-5	SLEEVE 18		1			
003	267268-3	FLAT WASHER 19		1			
004	231907-1	RING SPRING 10		1			
007	324344-7	ANVIL		1			
008	324341-3	HAMMER		1			
009	216001-0	STEEL BALL 3.5		31			
010	267269-1	FLAT WASHER 32		1			
011	233377-0	COMPRESSION SPRING 30		1			
012	267777-2	CUP WASHER 19		1			
013	216007-8	STEEL BALL 6.4		2			
014	227092-6	SPUR GEAR 32		2			
015	256002-6	PIN 6		2			
016	266026-4	TAPPING SCREW BIND CT 4X12		2			
017	324339-0	SPINDLE		1			
018	253794-8	FLAT WASHER 18		1			
019	285709-7	BEARING RETAINER 44		1			
020	227093-4	INTERNAL GEAR 71		1			
021	213670-8	O RING 58		1			
022	153583-0	INTERNAL GEAR COVER COMPLETE		1			
023	213373-4	O RING 22		1			
024	210005-4	BALL BEARING 608DDW		1			
025	241881-5	FAN 52		1			
026	517448-4	ARMATURE ASS'Y 220-240V		1			
D10		INC. 24,25,27,28					
027	681652-2	INSULATION WASHER		1			
028	211021-9	BALL BEARING 607LLB		1			
029	418187-8	BAFFLE PLATE		1			
030	599354-5	FIELD ASS'Y 220-240V		1			
C10	654100-4	RING TERMINAL		2			
C20	654501-6	CONNECTOR P-1.25		2			
031	183612-5	MOTOR HOUSING		1	*		
C10	643455-2	BRUSH HOLDER 6X9		2	*		
D10		INC. 32					
031-1	140021-1	MOTOR HOUSING COMPLETE	O	1			
C10	643455-2	BRUSH HOLDER 6X9		2			
032	819063-3	MAKITA LABEL		1	*		
033	253929-1	CUP WASHER 5		4			
034	262001-8	URETHANE RING 5		4			
035	266331-9	HEX. SOCKET HEAD BOLT M5X50		4			
036	685700-9	SPONGE SHEET		1			
037	266091-3	TAPPING SCREW 4X50		2			
038	417237-6	INSULATION COVER		2			
039	418186-0	F/L CHANGE LEVER		1			
040	650523-4	SWITCH C3MA-DB		1			

042	643550-8	BRUSH HOLDER CAP 5-8		2			
043	191940-4	CARBON BRUSH CB-411		1			
045	645253-0	NOISE SUPPRESSOR		1			
046	850444-2	NAME PLATE TW0200		1			
047	265995-6	TAPPING SCREW 4X18		3			
048	418189-4	HANDLE COVER		1			
049	265995-6	TAPPING SCREW 4X18		2			
050	687052-4	STRAIN RELIEF		1			
051	665865-3	POWER SUPPLY CORD 1.0-2-2.5		1			
052	682566-8	CORD GUARD 10		1			
053	324284-9	HOOK		1			
A01	134841-3	SOCKET 24-45 ASS'Y		1	*		
C10	213399-6	O-RING 25		1	*		
C20	268057-9	PIN 4		1	*		
A01-1	137071-5	SOCKET 24-38 ASS'Y		1			
C10	422B61-6	RUBBER RING23		1	*		
C11	B-54570	ORING 3PC SET 1/2" SQ 20-32M M	O	1			
C20	256A76-3	PIN 4		1	*		
C21	B-54617	PIN 3PC SET 1/2" SQ 20-32MM	O	1			
A02	824703-0	PLASTIC CARRYING CASE		1			
C10	186347-7	SLIDE LATCH SET		1			
F38	191B20-8	BIT ADAPTER SET		1			
A03	821549-5	CONNECTOR PLASTIC CASE (TYP E1)		1			
C10	453974-8	LATCH		4			
A04	802U82-2	TW0200J INDICATION LABEL		1			
A05	802U83-0	TW0200J PLASTIC CASE LABEL		2			
A06	837869-7	INNER TRAY		1			

Please state Parts No. when your order.

Print Date 01/29/2024