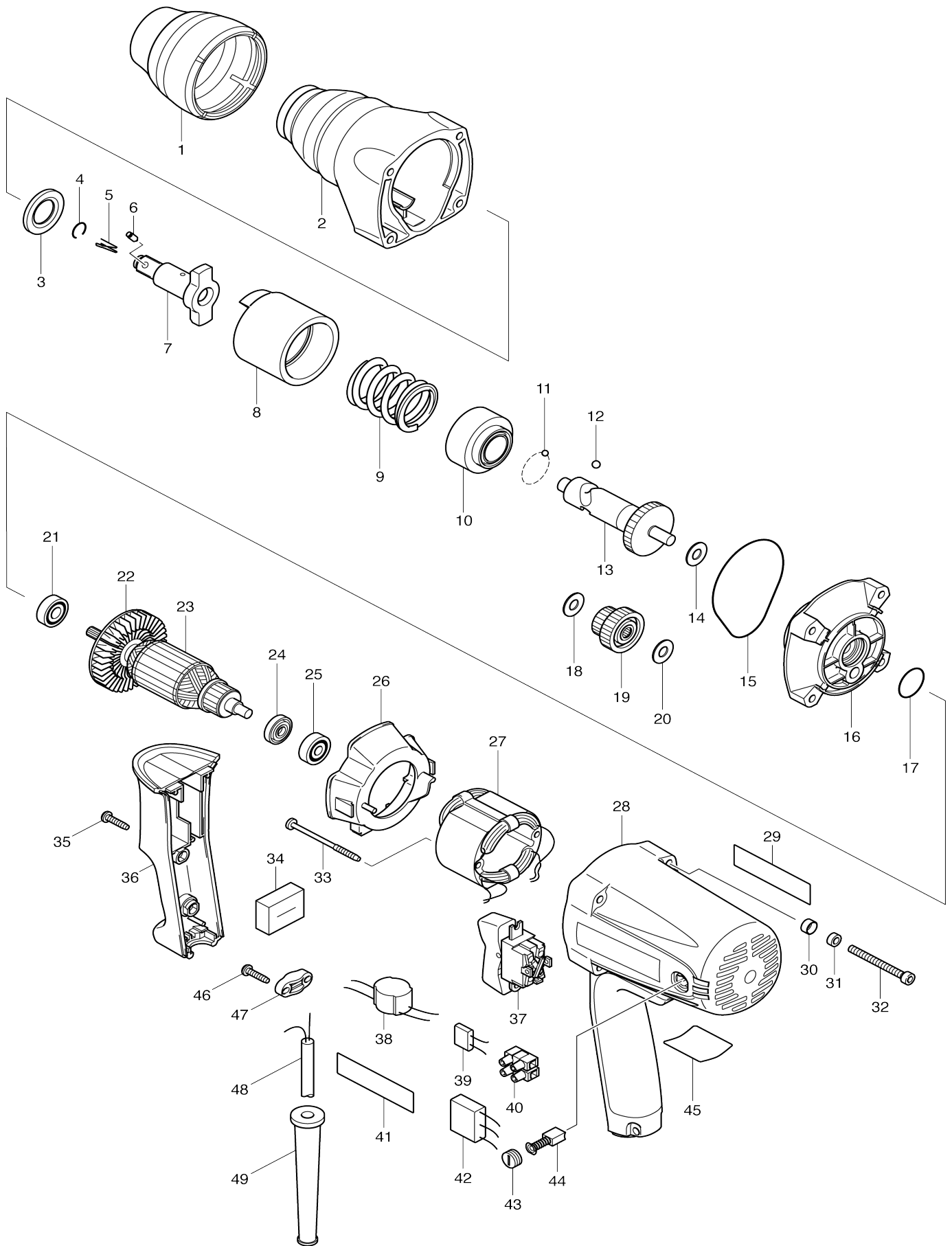


# Model No.TW0350 IMPACT WRENCH



Model No.TW0350 IMPACT WRENCH

Item No.	Parts No.	Description	Interchangeability	Q'ty	New/Old	Note1	Note2
F01	199140-0	GUIDE RAIL 1000 SET		1			
F02	199141-8	GUIDE RAIL 1500 SET		1			
F03	194368-5	GUIDE RAIL 1400 SET		1			
F04	194925-9	GUIDE RAIL 1900 SET		1			
F05	194367-7	GUIDE RAIL 3000 SET		1			
F06	194416-0	SHEET 10000 SET		1			
F07	194417-8	RUBBER SHEET 10000 SET		1			
F08	194418-6	POSITION SHEET 1400 SET		1			
F09	194910-2	POSITION SHEET 1900 SET		1			
001	421837-6	BUMPER		1			
002	153623-4	HAMMER CASE COMPLETE		1			
C10	213257-6	OIL SEAL 18		1			
C20	321119-5	SLEEVE 18		1			
003	267268-3	FLAT WASHER 19		1			
004	231907-1	RING SPRING 10		1			
007	324406-1	ANVIL		1	*		
007-1	326983-9	ANVIL	<	1			
008	324336-6	HAMMER		1			
009	233383-5	COMPRESSION SPRING 28		1			
010	313115-7	SPRING HOLDER		1			
011	216008-6	STEEL BALL 4		19			
012	216007-8	STEEL BALL 6.4		2			
013	324338-2	SPINDLE		1			
014	253139-0	FLAT WASHER 8		1			
015	421838-4	SEAL RING		1			
016	153624-2	HAMMER CASE COVER COMPLETE		1			
017	213373-4	O RING 22		1			
018	253139-0	FLAT WASHER 8		1			
019	153626-8	SPUR GEAR 19-41 COMPLETE		1			
020	253139-0	FLAT WASHER 8		1			
021	210024-0	BALL BEARING 608LLU		1			
022	241884-9	FAN 60		1			
023	515263-0	ARMATURE ASS'Y 220-240V		1			
D10		INC. 21,22,24,25					
024	681614-0	INSULATION WASHER		1			
025	210025-8	BALL BEARING 627LLB		1			
026	418180-2	BAFFLE PLATE		1			
027	528179-0	FIELD ASS'Y 220-240V		1			
C10	654100-4	RING TERMINAL		2			
C20	654501-6	CONNECTOR P-1.25		2			
028	183604-4	MOTOR HOUSING		1	*		
C10	643455-2	BRUSH HOLDER 6X9		2	*		
D10		INC. 29,41					
028-1	153625-0	MOTOR HOUSING	O	1			
C10	643455-2	BRUSH HOLDER 6X9		2			
029	819064-1	MAKITA MARK		1	*		
030	253929-1	CUP WASHER 5		4			

031	262001-8	URETHANE RING 5		4		
032	266331-9	HEX. SOCKET HEAD BOLT M5X50		4		
033	266091-3	TAPPING SCREW 4X50		2		
034	685700-9	SPONGE SHEET		1		
035	265995-6	TAPPING SCREW 4X18		2		
036	418179-7	HANDLE COVER		1		
037	651572-4	SWITCH SL220SD-19		1	*	
037-1	651572-4	SWITCH SL220SD-19	O	1		
038	646325-4	LINE COIL		1	*	
038-1	646358-9	LINE COIL	O	1	*	
038-2	646358-9	LINE COIL	O	1		
039	646755-9	RESISTOR		1	*	
039-1	646755-9	RESISTOR	O	1		
040	654531-7	TERMINAL BLOCK 2P		1	*	
040-1	654741-6	TERMINAL BLOCK	O	1		
041	819064-1	MAKITA MARK		1	*	
042	645253-0	NOISE SUPPRESSOR		1		
043	643550-8	BRUSH HOLDER CAP 5-8		2		
044	191940-4	CARBON BRUSH CB-411		1		
045	850644-4	NAME PLATE TW0350		1		
046	265995-6	TAPPING SCREW 4X18		2		
047	687052-4	STRAIN RELIEF		1		
048	665865-3	POWER SUPPLY CORD 1.0-2-2.5		1		
049	682566-8	CORD GUARD 10		1		
A01	824702-2	PLASTIC CARRYING CASE		1		
C10	186347-7	SLIDE LATCH SET		1		
A02	134841-3	SOCKET 24-45 ASS'Y		1	*	
C10	213399-6	O-RING 25		1	*	
C20	268057-9	PIN 4		1	*	
A02-1	137071-5	SOCKET 24-38 ASS'Y		1		
C10	422B61-6	RUBBER RING23		1	*	
C11	B-54570	ORING 3PC SET 1/2" SQ 20-32M M	O	1		
C20	256A76-3	PIN 4		1	*	
C21	B-54617	PIN 3PC SET 1/2" SQ 20-32MM	O	1		
F28	195870-1	DRILL BIT REMOVER SET		1		
A03	821550-0	CONNECTOR PLASTIC CASE (TYP E2)		1		
C10	453974-8	LATCH		4		
A04	802U84-8	TW0350J INDICATION LABEL		1		
A05	802U85-6	TW0350J PLASTIC CASE LABEL		2		
A06	837870-2	INNER TRAY		1		

Please state Parts No. when your order.

Print Date 03/01/2024