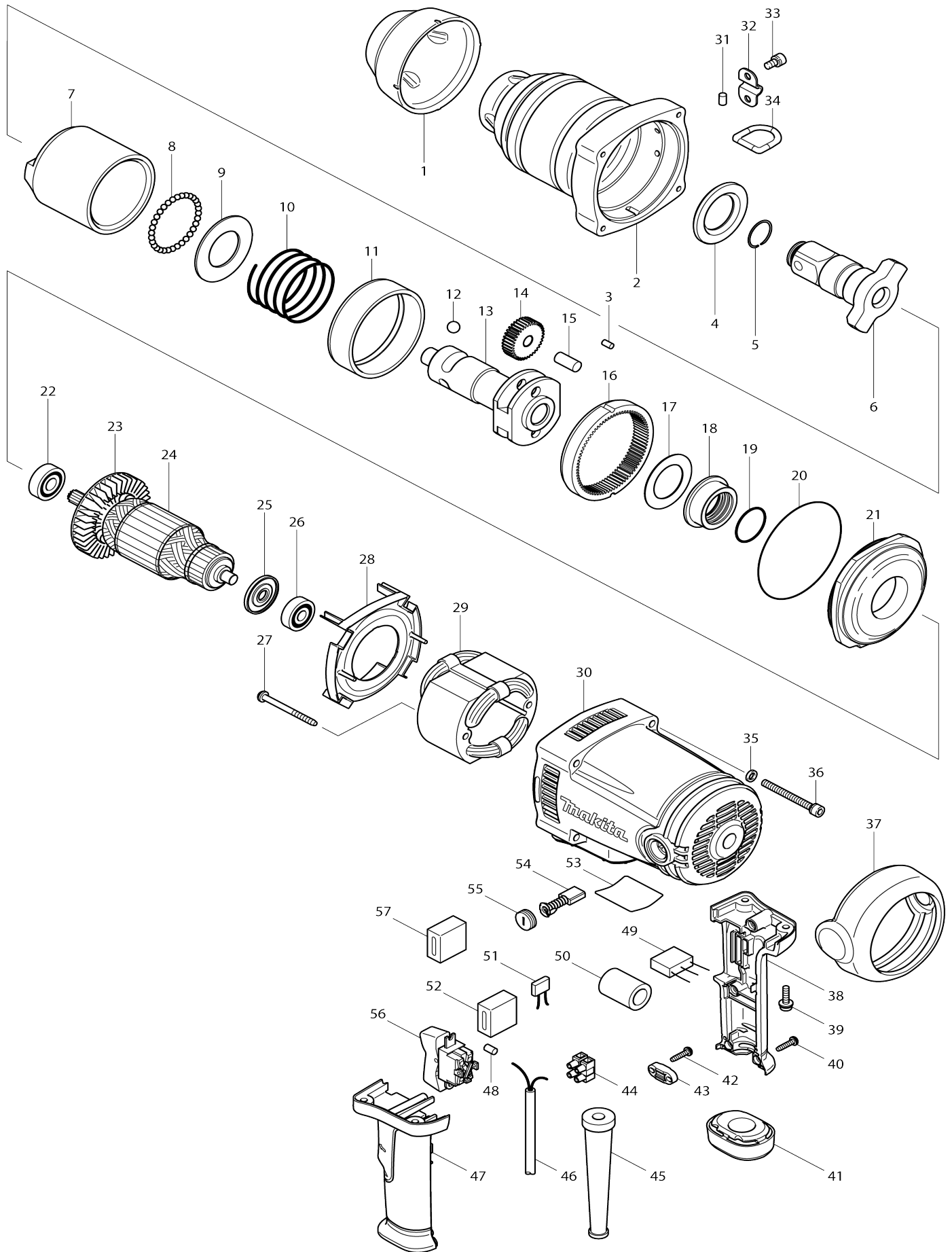


Model No.TW1000 IMPACT WRENCH



Model No.TW1000 IMPACT WRENCH

Item No.	Parts No.	Description	Interchangability	Q'ty	New/Old	Note1	Note2
F01	199140-0	GUIDE RAIL 1000 SET		1			
F02	199141-8	GUIDE RAIL 1500 SET		1			
F03	194368-5	GUIDE RAIL 1400 SET		1			
F04	194925-9	GUIDE RAIL 1900 SET		1			
F05	194367-7	GUIDE RAIL 3000 SET		1			
F06	194416-0	SHEET 10000 SET		1			
F07	194417-8	RUBBER SHEET 10000 SET		1			
F08	194418-6	POSITION SHEET 1400 SET		1			
F09	194910-2	POSITION SHEET 1900 SET		1			
001	421895-2	FRONT BUMPER		1			
002	154555-8	HAMMER CASE COMPLETE		1			
003	256253-1	PIN 5		2			
004	253909-7	FLAT WASHER 35		1			
005	231921-7	RING SPRING 22		1			
006	325587-4	ANVIL		1			
007	325415-3	HAMMER		1			
008	216002-8	STEEL BALL 4.8		32			
009	253712-6	FLAT WASHER 36		1			
010	233428-9	COMPRESSION SPRING 45		1	*		
010-1	231211-8	COMPRESSION SPRING 36	S	1			
011	333112-7	RING 79		1			
012	216010-9	STEEL BALL 10.3		2			
013	324501-7	SPINDLE		1	*		
013-1	324666-5	SPINDLE	S	1			
014	227149-3	SPUR GEAR 37		2			
015	256051-3	PIN 10		2			
016	221815-4	INTERNAL GEAR 82		1			
017	267170-0	FLAT WASHER 34		1			
018	310154-8	BEARING BOX		1			
019	213459-4	O RING 32		1			
020	213855-6	O RING 95		1			
021	317841-0	HAMMER CASE COVER		1			
022	211137-0	BALL BEARING 6201LLU		1			
023	240003-4	FAN 80		1			
024	516919-8	ARMATURE ASS'Y 240V		1			
D10		INC. 22,23,25,26					
025	681665-3	INSULATION WASHER		1			
026	211066-7	BALL BEARING 6200LLB		1			
027	265345-5	+ HEX. BOLT M5X60		2			
028	418814-7	BAFFLE PLATE		1			
029	528940-5	FIELD ASS'Y 240V		1			
C10	654020-2	RING TERMINAL		2			
C20	654502-4	CONNECTOR P-2		2			
030	154556-6	MOTOR HOUSING COMPLETE		1			
C10	643653-8	BRUSH HOLDER 6.5-13.5		2			
031	263005-3	RUBBER PIN 6		1			
032	345517-9	PLATE		1			

033	266157-9	HEX. SOCKET HEAD BOLT M6X12		2	*		
033-1	922311-2	HEX. SOCKET HEAD BOLT M6X12	S	2			
034	282018-5	D-RING		1			
035	941151-9	FLAT WASHER 6		4			
036	265538-4	HEX.SOCKET HEAD BOLT M6X60		4	*		
036-1	265538-4	HEX.SOCKET HEAD BOLT M6X60	<	4			
037	421896-0	REAR BUMPER		1			
038	183935-1	HANDLE SET		1			
D10		INC. 47					
039	911233-1	PAN HEAD SCREW M5X20		4			
040	265995-6	TAPPING SCREW 4X18		4			
041	421897-8	BUMPER		1			
042	265995-6	TAPPING SCREW 4X18		2			
043	687052-4	STRAIN RELIEF		1			
044	654531-7	TERMINAL BLOCK 2P		1	*		
044-1	654741-6	TERMINAL BLOCK	O	1			
045	682564-2	CORD GUARD		1			
046	665865-3	POWER SUPPLY CORD 1.0-2-2.5		1			
047	183935-1	HANDLE SET		1			
D10		INC. 38					
048	263005-3	RUBBER PIN 6		1			
049	645253-0	NOISE SUPPRESSOR		1			
050	685722-9	SPONGE		1			
051	646755-9	RESISTOR		1	*		
051-1	646755-9	RESISTOR	O	1			
052	685725-3	SPONGE SHEET		1			
053	861265-7	TW1000 NAME PLATE		1			
054	181044-0	CARBON BRUSH CB-153		1			
055	643650-4	BRUSH HOLDER CAP 6.5-13.5		2	*		
055-1	643650-4	BRUSH HOLDER CAP 6.5-13.5	O	2			
056	651572-4	SWITCH SL220SD-19		1	*		
056-1	651572-4	SWITCH SL220SD-19	O	1			
057	685725-3	SPONGE SHEET		1			
058	231212-6	COMPRESSION SPRING 49		1			
059	253713-4	FLAT WASHER 35		1			
A01	122727-3	SIDE GRIP ASS'Y		1			
C10	152624-9	GRIP 36 COMPLETE		1			
C20	266358-9	R.H SQUARE NECK BOLT M8X50		1			
C30	312743-5	GRIP BASE		1			
C40	345097-5	BELT		1			
A02	134872-2	SOCKET 41-80 ASS'Y		1	*		
D10		INC. A03,A04					
A03	213570-2	O-RING 44		1	*		
A04	256284-0	PIN 5		1	*		
A05	824737-3	PLASTIC CARRYING CASE		1			
C10	416401-6	LATCH		2	*		
C11	163467-4	LATCH	X	2			

Please state Parts No. when your order.

Print Date 03/01/2024