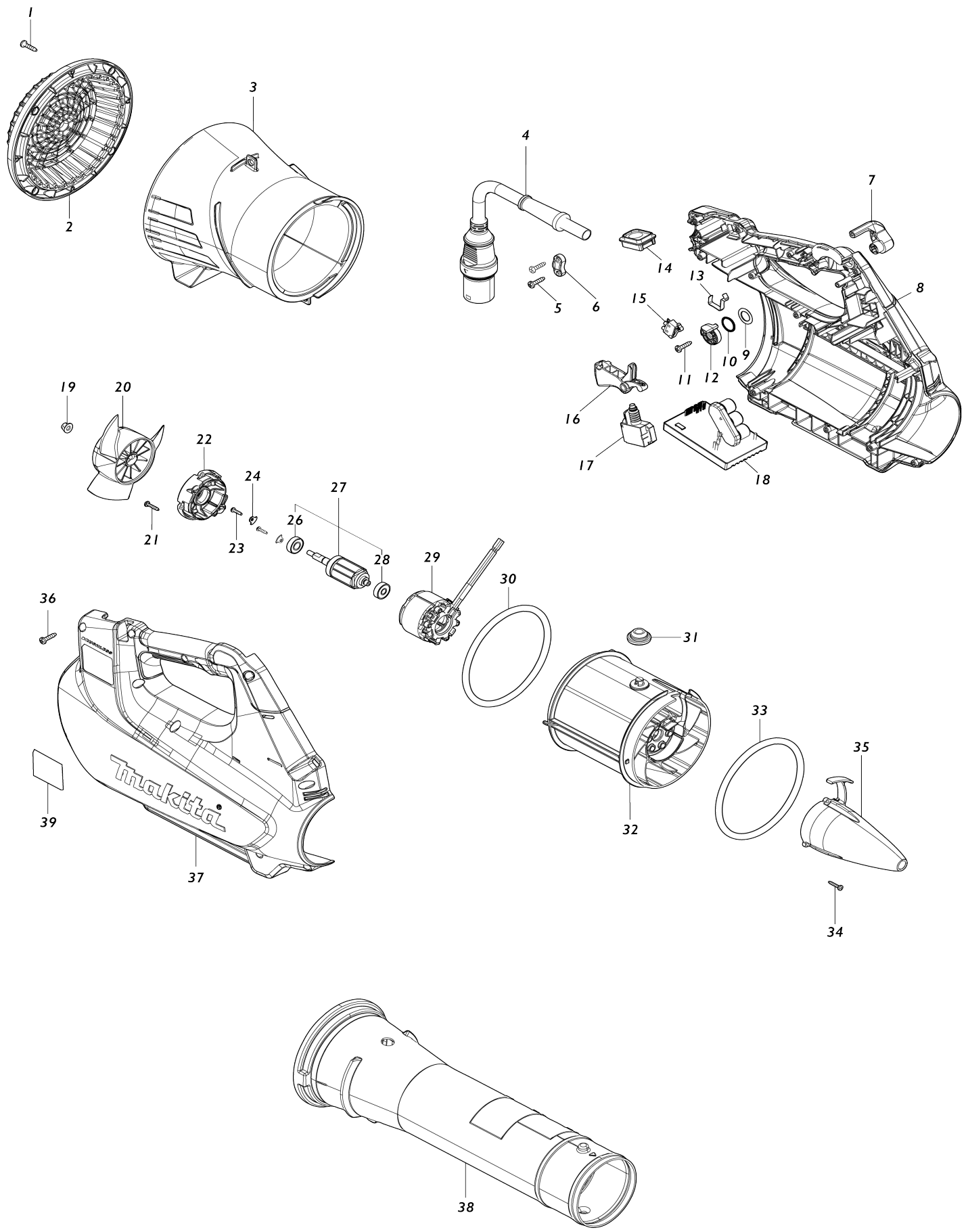


# Model No.UB001C BATTERY POWERED BLOWER



Model No.UB001C BATTERY POWERED BLOWER

Item No.	Parts No.	Description	Interchangability	Q'ty	New/Old	Note1	Note2
001	266326-2	TAPPING SCREW 4X18		4			
002	412749-4	REAR COVER		1			
003	140V33-6	REAR HOUSING COMPLETE		1			
004	699156-0	POWER SUPPLY CORD UNIT		1			
005	266326-2	TAPPING SCREW 4X18		2			
006	687149-9	STRAIN RELIEF		1			
007	412755-9	CONTROL LEVER		1			
008	183R61-4	HOUSING SET		1			
C10	8011Y4-4	CAUTION LABEL		1			
D10		INC. 37					
009	253798-0	FLAT WASHER 13		1			
010	213154-6	O RING 14		1			
011	266326-2	TAPPING SCREW 4X18		1			
012	412754-1	LINK		1			
013	232634-3	LEAF SPRING		1			
014	140X08-7	SWITCH CIRCUIT COMPLETE		1			
C10	810D46-0	SWITCH LABEL		1			
015	632L48-2	SWITCH UNIT		1			
016	412756-7	SWITCH LEVER		1			
017	651436-2	SWITCH C3JW-1A-P-2		1			
018	620D15-1	CONTROLLER		1			
019	252286-4	COLLARED HEX.LOCK NUT M5-8		1			
020	240177-1	FAN 110		1			
021	266130-9	TAPPING SCREW BIND PT 3X16		4			
022	412753-3	MOTOR HOUSING COVER		1			
023	265893-4	TAPPING SCREW 3X12		2			
024	347733-9	RETAINER		2			
026	210040-2	BALL BEARING 698LLU		1			
027	519639-3	ROTOR ASS'Y		1	*		
D10		INC. 26,28					
027-1	519639-3	ROTOR ASS'Y	O	1			
D10		INC. 26,28					
028	210022-4	BALL BEARING 626DDW		1			
029	629A15-0	STATOR		1	*		
029-1	629B61-9	STATOR	S	1			
030	424721-4	RUBBER RING 115		1			
031	424194-1	RUBBER RING 8		1			
032	412751-7	MOTOR HOUSING		1			
033	424721-4	RUBBER RING 115		1			
034	266130-9	TAPPING SCREW BIND PT 3X16		3			
035	412752-5	CAP		1			
036	266326-2	TAPPING SCREW 4X18		12			
037	183R61-4	HOUSING SET		1			
C10	8011Y4-4	CAUTION LABEL		1			
D10		INC. 8					
038	412757-5	FRONT PIPE		1			
039	857M75-6	UB001C NAME PLATE		1			

040	422734-9	SPONGE		1		
041	620K74-7	CONTROLLER B	S	1		
042	638A36-1	LEAD UNIT	S	1		
043	652119-7	PAN HEAD SCREW M2X6	S	6		
A01	191L94-9	BAND ASSEMBLY SET		1	*	
A01-1	191J48-4	BAND ASSEMBLY SET	O	1		
A02	412758-3	END NOZZLE 80		1	*	
A02-1	191P97-7	END NOZZLE 80 SET	O	1		
E01	800A17-7	SOUND 94DB LABEL		1	*	
E01-1	807949-3	SOUND 94DB LABEL	<	1		
F01	191B03-8	GUTTER NOZZLE SET		1		
C10	162790-4	END NOZZLE COMPLETE		1		
C20	281030-2	HOSE CLAMP 75-90		2		
C30	281031-0	HOSE CLAMP 85-100		1		
C40	459816-4	EXTENSION PIPE 72		3		
F03	191L96-5	ADAPTER PIPE 85-72 SET		1		
F04	197889-6	FLAT NOZZLE SET		1		

Please state Parts No. when your order.

Print Date 02/16/2024