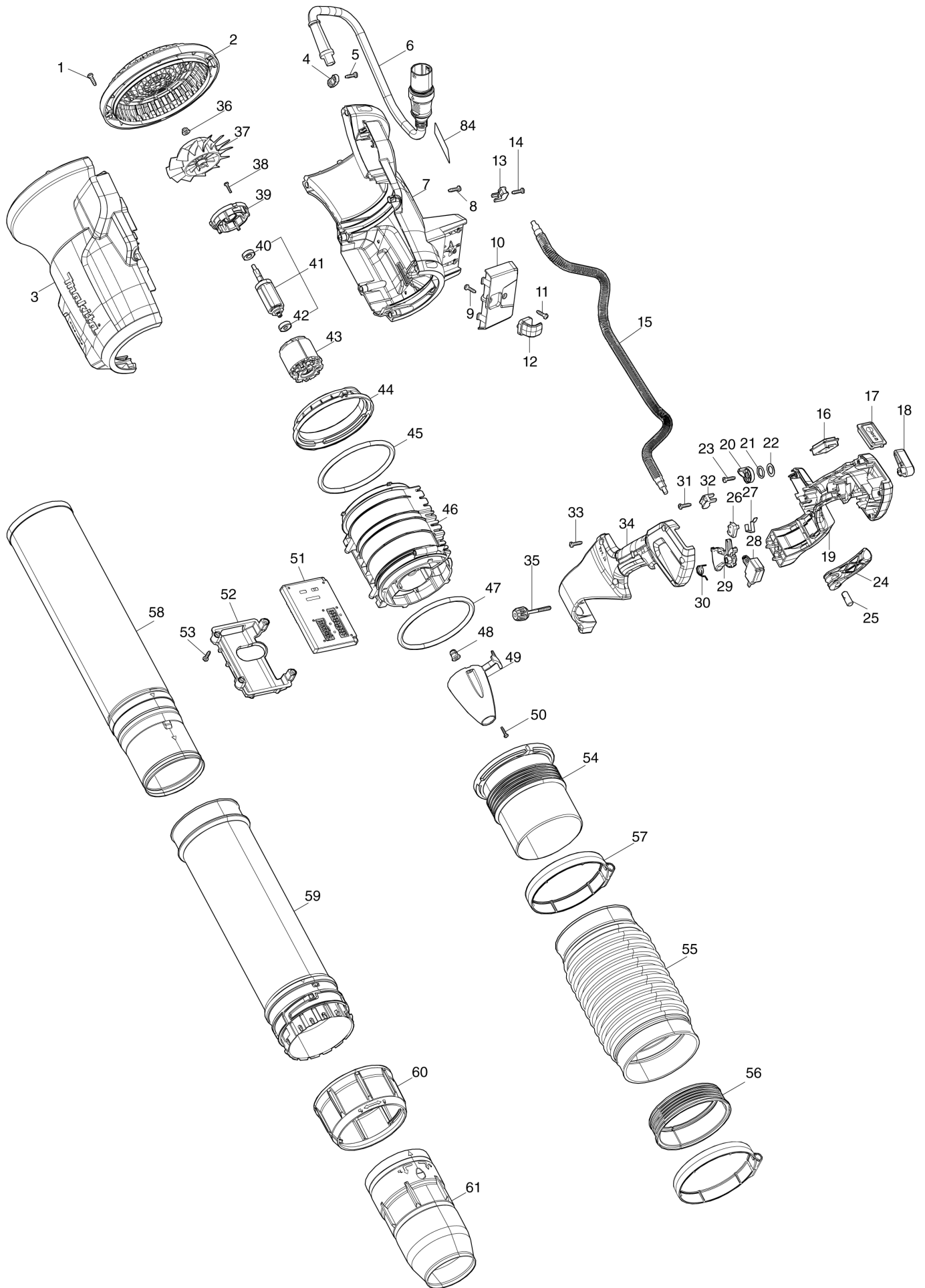
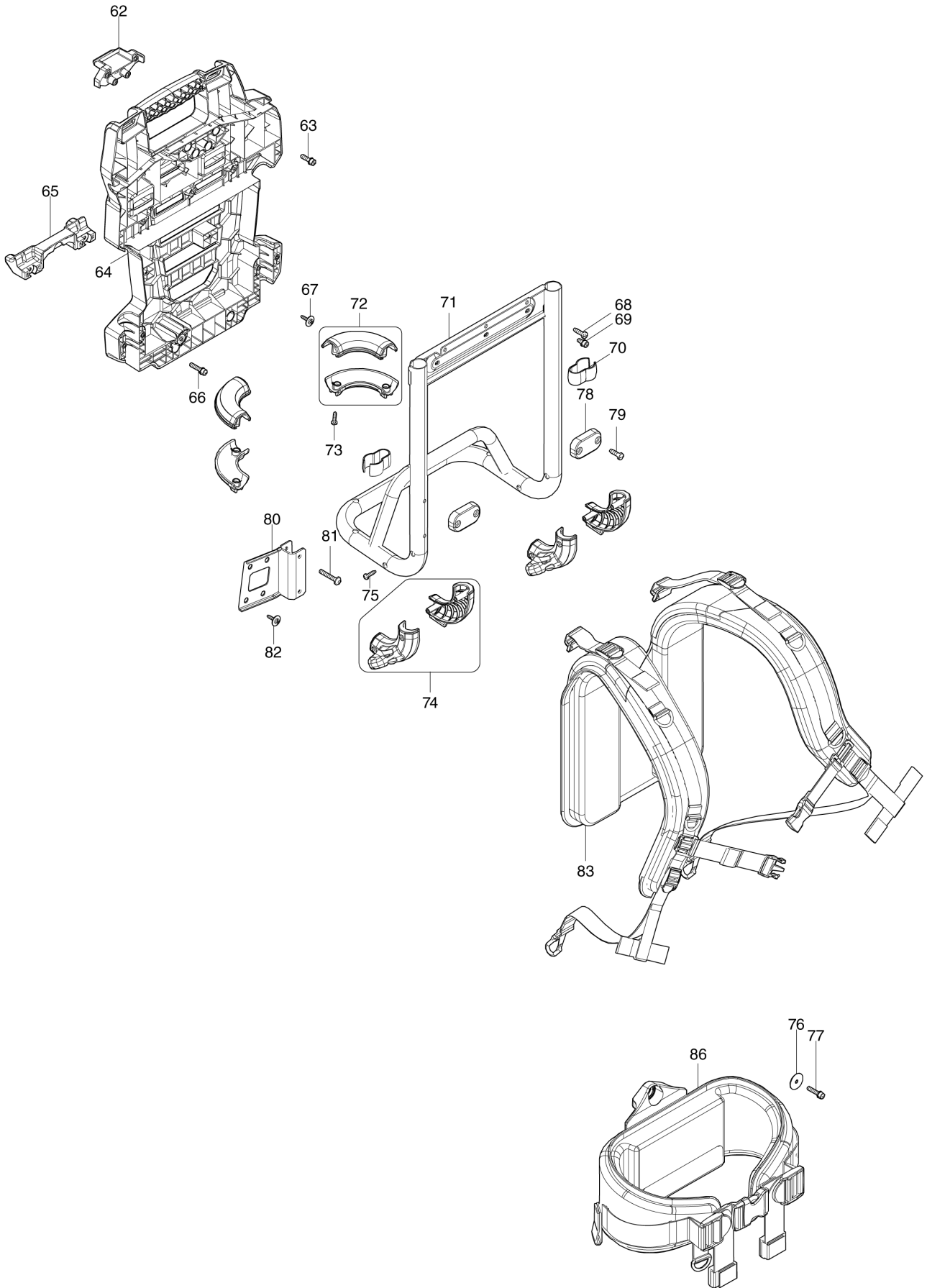


(AE) UB004C / BATTERY POWERED BKPK BLOWER



(AE) UB004C / BATTERY POWERED BKPK BLOWER



UB004C / BATTERY POWERED BKPK BLOWER

Item	Sub	Parts No.	Parts Description	Qty			
001		266326-2	TAPPING SCREW 4X18	4			
002		413X98-6	REAR COVER	1			
003		1830S3-3	HOUSING SET	1			
	C10	8011Y4-4	CAUTION LABEL	1			
	D10		INC. 7				
004		687149-9	STRAIN RELIEF	1			
005		266326-2	TAPPING SCREW 4X18	2			
006		699239-6	POWER SUPPLY CORD UNIT	1			
007		1830S3-3	HOUSING SET	1			
	C10	8011Y4-4	CAUTION LABEL	1			
	D10		INC. 3				
008		266326-2	TAPPING SCREW 4X18	8			
009		266326-2	TAPPING SCREW 4X18	1			
010		413X89-7	FRAME COVER	1			
011		266326-2	TAPPING SCREW 4X18	1			
012		413Y30-6	CLAMP	1			
013		687260-7	STRAIN RELIEF	1			
014		266326-2	TAPPING SCREW 4X18	1			
015		699240-1	POWER SUPPLY CORD UNIT	1			
016		620N41-0	SWITCH CIRCUIT COMPLETE	1			
017		620N42-8	SWITCH CIRCUIT COMPLETE	1			
018		413G66-7	CONTROL LEVER	1			
019		1830J3-0	LEVER CASE SET	1			
	D10		INC. 34				
020		412754-1	LINK	1			
021		213154-6	O RING 14	1			
022		253798-0	FLAT WASHER 13	1			
023		266326-2	TAPPING SCREW 4X18	1			
024		413Y06-3	LEVER	1			
025		256A58-5	PIN 9	1			
026		632V43-2	SWITCH UNIT	1			
027		232634-3	LEAF SPRING	1			
028		650056-9	SWITCH C3JR-1AT-PAXD5	1			
029		413X92-8	SWITCH LEVER	1			
030		232853-1	TORSION SPRING 12	1			
031		266326-2	TAPPING SCREW 4X18	1			
032		687260-7	STRAIN RELIEF	1			
033		266326-2	TAPPING SCREW 4X18	6			
034		1830J3-0	LEVER CASE SET	1			
	D10		INC. 19				
035		413Y07-1	THUMB SCREW M5X45	1			
036		252286-4	COLLARED HEX.LOCK NUT M5-8	1			
037		240237-9	FAN 110	1			
038		266130-9	TAPPING SCREW BIND PT 3X16	4			
039		413X94-4	MOTOR HOUSING COVER	1			
040		211166-3	BALL BEARING 698DDW	1			
041		519847-6	ROTOR ASSEMBLY	1			
	D10		INC. 40,42				
042		210310-9	BALL BEARING 626DDW	1			
043		629C63-1	STATOR	1			
044		413X97-8	REAR RETAINER	1			
045		424721-4	RUBBER RING 115	1			
046		137129-0	MOTOR HOUSING ASSEMBLY	1			
	C10	263005-3	RUBBER PIN 6	2			
047		424721-4	RUBBER RING 115	1			
048		422879-3	GROMMET	1			
049		413X95-2	CAP	1			
050		266130-9	TAPPING SCREW BIND PT 3X16	3			
051		620N68-0	CONTROLLER	1			
052		413Y00-5	CONTROLLER CASE COVER	1			
053		266326-2	TAPPING SCREW 4X18	4			
054		413X96-0	FRONT PIPE	1			
055		413X99-4	FLEXIBLE PIPE 118	1			
056		413Y01-3	SWIVEL RING	1			
057		122G27-3	HOSE CLAMP 120 ASSEMBLY	2			

