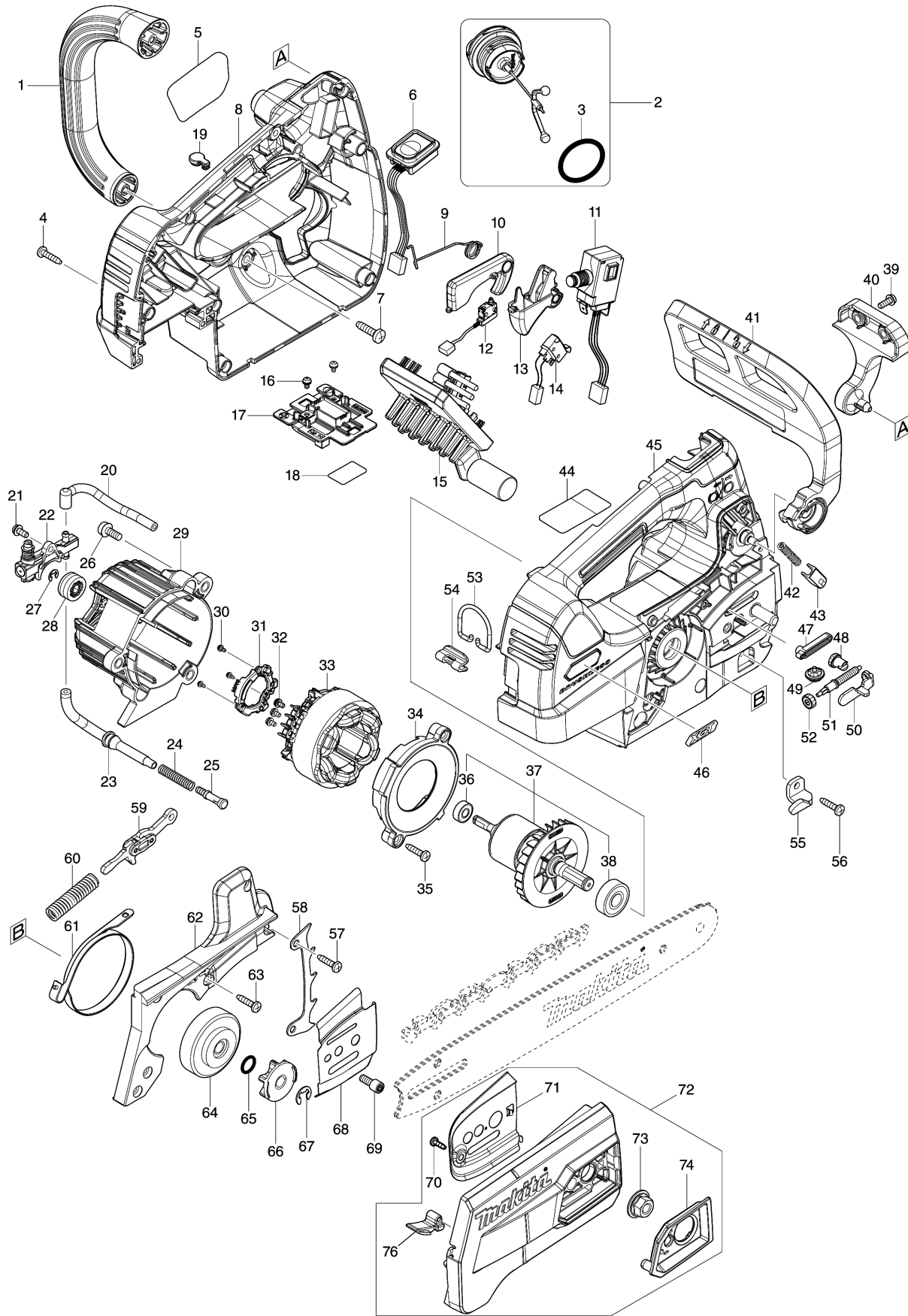


Model No. UC002G CORDLESS CHAIN SAW 115MM



Model No.UC002G CORDLESS CHAIN SAW 115MM

Item	Parts No.	Description	I/C	Qty	New/Old	Opt. 1	Opt. 2	Note
001	413979-0	FRONT HANDLE		1				
002	122A77-2	TANK CAP ASSEMBLY		1				
D10		INC. 3						
003	213080-9	O RING 29.5		1				
004	266326-2	TAPPING SCREW 4X18		8				
005	8041P2-4	UC002G MODEL NO. LABEL		1				
006	141G07-0	SWITCH CIRCUIT COMPLETE		1				
C10	810D46-0	SWITCH LABEL		1				
007	266420-0	TAPPING SCREW 5X20		2	*			
007-1	265C57-8	TAPPING SCREW 5X20	O	2				
008	183U56-5	HOUSING SET		1				
C10	263005-3	RUBBER PIN 6		2				
D10		INC. 19,45						
009	232713-7	TORSION SPRING 10		1				
010	413987-1	CATCH LEVER		1				
011	650011-1	SWITCH C3JR-4BM-PAND3		1				
012	632L49-0	SWITCH UNIT		1				
013	459282-5	SWITCH LEVER		1				
014	632L48-2	SWITCH UNIT		1				
015	620F70-5	CONTROLLER		1				
C10	688131-1	LINE FILTER		2	*			
C11	688131-1	LINE FILTER	O	2				
016	652031-1	PAN HEAD SCREW M3X6		2				
017	632S63-8	TERMINAL UNIT		1				
018	8110T7-9	UC002G SERIAL NO. LABEL		1				
019	422467-6	CAP		1				
020	422764-0	OIL TUBE 3-85		1				
021	911113-1	PAN HEAD SCREW M4X10 WITH WR		1				
022	142156-4	OIL PUMP COMPLETE		1				
023	422765-8	OIL TUBE 3-109		1				
024	231975-4	SPRING		1				
025	452666-6	NIPPLE		1				
026	911218-7	PAN HEAD SCREW M5X14		3				
027	961011-9	STOP RING E-4		1				
028	226884-0	WORM GEAR		1				
029	413904-1	MOTOR HOUSING		1				
030	652093-9	PAN HEAD SCREW M2X5		3	*			
030-1	652119-7	PAN HEAD SCREW M2X6	O	3				
031	620F73-9	SENSOR UNIT		1				
032	652069-6	FLAT HEAD SCREW M3X6		3				
033	629A85-9	STATOR		1				
034	413980-5	BAFFLE PLATE		1	*			
034-1	413V76-4	BAFFLE PLATE	<	1				
035	266326-2	TAPPING SCREW 4X18		2				
036	210026-6	BALL BEARING 696ZZ		1				

Please order the parts with part number.

Print Date 4/3/2024

Model No.UC002G CORDLESS CHAIN SAW 115MM

Item	Parts No.	Description	I/C	Qty	New/Old	Opt. 1	Opt. 2	Note
037	519710-3	ROTOR ASSY		1				
D10		INC. 36,38						
038	210059-1	BALL BEARING 6000DDW		1				
039	911118-1	PAN HEAD SCREW M4X12		2				
040	413907-5	FRONT HAND GUARD RETAINER		1				
041	141E58-1	FRONT HAND GUARD COMPLETE		1				
C10	8042N8-4	CAUTION LABEL		1				
042	232714-5	COMPRESSION SPRING 3		1				
043	313212-9	HAND GUARD GUIDE		1				
044	8110T4-5	UC002G NAME PLATE		1				
045	183U56-5	HOUSING SET		1				
C10	263005-3	RUBBER PIN 6		2				
D10		INC. 8,19						
046	8012U4-2	XGT LOGO LABEL		1				
047	422466-8	GROMET		1				
048	227620-7	DRIVE GEAR 14		1				
049	227634-6	STRAIGHT BEVEL GEAR 14		1				
050	347517-5	TENSION SLIDE		1				
051	327317-9	ADJUST SCREW		1				
052	227496-2	STRAIGHT BEVEL GEAR 14		1				
053	281222-3	HOOK		1				
054	347514-1	HOOK SUPPORT		1				
055	347516-7	CHAIN CATCHER		1				
056	266326-2	TAPPING SCREW 4X18		1				
057	266326-2	TAPPING SCREW 4X18		2				
058	346809-9	SPIKE BUMPER		1				
059	141E60-4	LINK PLATE COMPLETE		1				
060	232452-9	COMPRESSION SPRING 7		1				
061	347864-4	BRAKE BAND		1				
062	413981-3	HOUSING R COVER		1				
063	266326-2	TAPPING SCREW 4X18		5				
064	162979-4	BRAKE DRUM		1				
065	213060-5	O RING 10		1				
066	191V90-7	SPROCKET 6 SET		1				
067	961013-5	STOP RING E-7		1				
068	347533-7	GUIDE PLATE L		1				
069	266905-6	H.L. SOCKET HEAD BOLT M5X12		1				
070	266007-8	TAPPING SCREW BIND PT 3X10		1				
071	347534-5	GUIDE PLATE R		1				
072	136573-8	SPROCKET COVER ASS'Y		1				
D10		INC. 70,71,73,74,76						
073	162494-8	FLANGE NUT COMPLETE		1				
074	413986-3	NUT COVER		1				
076	422310-9	CHIP GUIDE		1				

Please order the parts with part number.

Print Date 4/3/2024

Model No. UC002G CORDLESS CHAIN SAW 115MM

Item	Parts No.	Description	I/C	Qty	New/Old	Opt. 1	Opt. 2	Note
A01	191G14-3	GUIDE BAR 10 SET		1				
A02	458501-6	GUIDE BAR CASE		1				
A03	199897-3	OIL VESSEL SET		1				
A04	199075-5	SAW CHAIN SET		1				
A05	782023-7	WRENCH 13-16		1				
A07B	412393-7	BATTERY COVER		1				
A08B	***DC40RA	DC40RA FAST CHARGER		1				
D10		COMPO-PARTS						
A09B	191B26-6	BATTERY BL4040 SET		1				
E01	8039U0-8	CAUTION TAG		1				
E02	8040V6-2	SOUND LABEL		1				
F02	191H00-0	SAW CHAIN 10 SET		1				
F03	191H08-4	SAW CHAIN 10 SET		1				
F04	191V90-7	SPROCKET 6 SET		1				
F06	195093-1	CHAIN OIL SET		1				
F07	195923-6	ROUND FILE 4.5 SET		1	*			
F07-1	D-70954	FILE HOLDER SET 4.5MM(11/64")	O	1				
F08	196205-9	SAW CHAIN SET		1	*			
F09	198457-8	CHAIN EDGER SET		1	*			
F09-1	D-70948	FILE HOLDER SET 4.0MM(5/32")	O	1				
F10	199075-5	SAW CHAIN SET		1				

Please order the parts with part number.

Print Date 4/3/2024