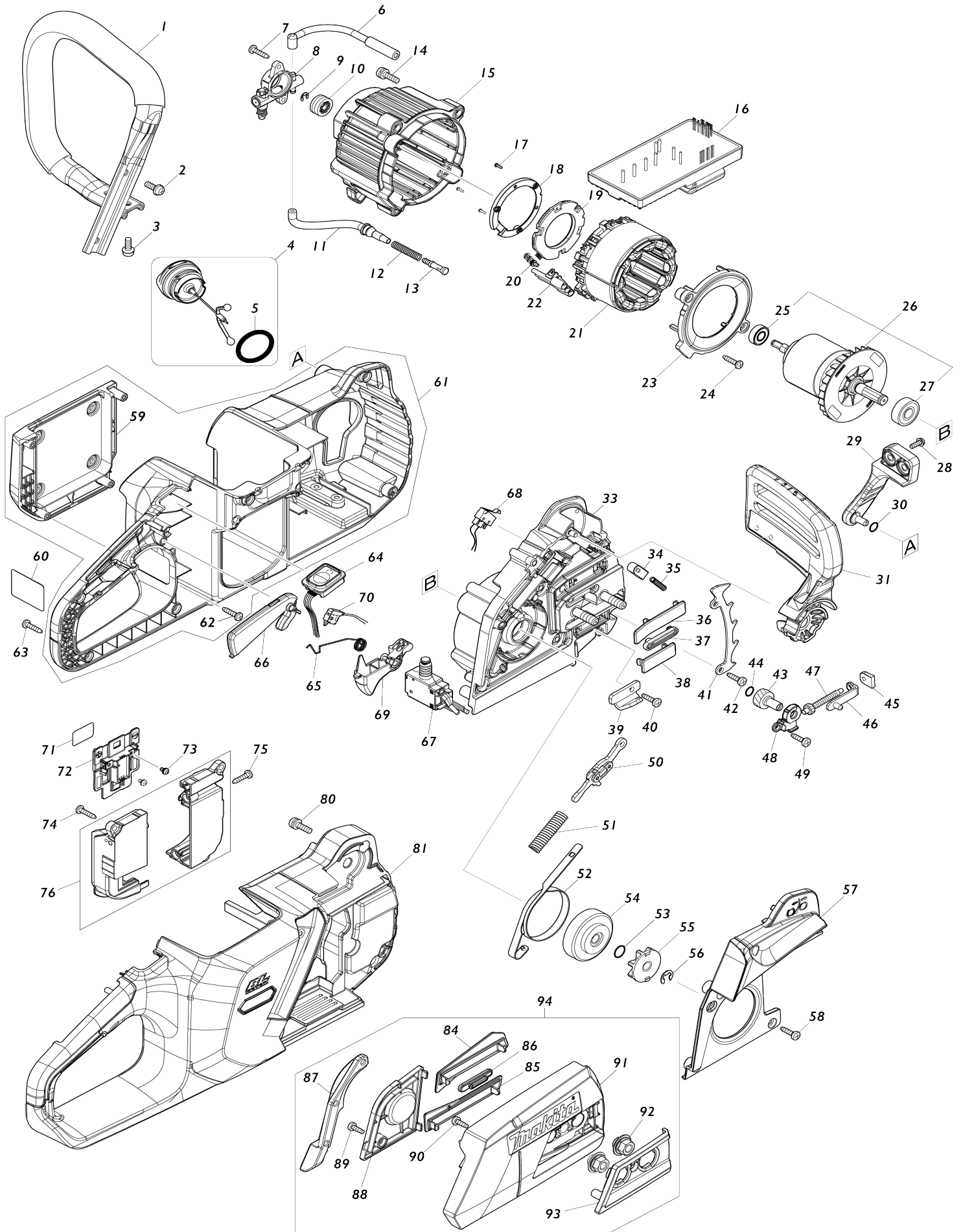


Model No. UC012G 400MM CORDLESS CHAIN SAW



Model No.UC012G 400MM CORDLESS CHAIN SAW

Item No.	Parts No.	Description	Interchangability	Q'ty	New/Old	Note1	Note2
F01	199140-0	GUIDE RAIL 1000 SET		1			
F02	199141-8	GUIDE RAIL 1500 SET		1			
F03	194368-5	GUIDE RAIL 1400 SET		1			
F04	194925-9	GUIDE RAIL 1900 SET		1			
F05	194367-7	GUIDE RAIL 3000 SET		1			
F06	194416-0	SHEET 10000 SET		1			
F07	194417-8	RUBBER SHEET 10000 SET		1			
F08	194418-6	POSITION SHEET 1400 SET		1			
F09	194910-2	POSITION SHEET 1900 SET		1			
001	327932-9	FRONT HANDLE		1			
002	911218-7	PAN HEAD SCREW M5X14		2			
003	911218-7	PAN HEAD SCREW M5X14		2			
004	122A77-2	TANK CAP ASSEMBLY		1			
D10		INC. 5					
005	213080-9	O RING 29.5		1			
006	422835-3	OIL TUBE 3-117		1			
007	266326-2	TAPPING SCREW 4X18		2			
008	142857-4	OIL PUMP COMPLETE		1			
009	961011-9	STOP RING E-4		1			
010	226884-0	WORM GEAR		1			
011	422836-1	OIL TUBE 3-108		1			
012	231975-4	SPRING		1			
013	452666-6	NIPPLE		1			
014	911228-4	PAN HEAD SCREW M5X18		3			
015	413C89-1	MOTOR HOUSING		1			
016	620H71-5	CONTROLLER		1			
017	266490-9	TAPPING SCREW PT 2X6		3			
018	687B69-9	STOPPER		1			
019	620H75-7	CONTROLLER B		1			
020	652031-1	PAN HEAD SCREW M3X6		3			
021	629B00-9	STATOR		1			
022	632T19-7	LEAD UNIT		1			
023	413C90-6	BAFFLE PLATE		1			
024	266326-2	TAPPING SCREW 4X18		2			
025	210016-9	BALL BEARING 698ZZ		1			
026	519732-3	ROTOR ASS'Y		1			
D10		INC. 25,27					
027	210059-1	BALL BEARING 6000DDW		1			
028	911118-1	PAN HEAD SCREW M4X12		2			
029	413C92-2	FRONT HAND GUARD RETAINER		1			
030	213594-8	O RING 7		1			
031	141J69-6	FRONT HAND GUARD COMPLETE		1			
C10	8050E6-6	CAUTION LABEL		1			
033	136609-3	HOUSING BASE ASSEMBLY		1			
C10	263002-9	RUBBER PIN 4		1			
034	313398-9	HAND GUARD GUIDE		1			
035	234210-9	COMPRESSION SPRING 3		1			

036	413D07-5	GUARD A		1		
037	422834-5	GROMMET A		1		
038	413D08-3	GUARD B		1		
039	347924-2	CHAIN CATCHER		1		
040	266034-5	TAPPING SCREW CT 4X16		1		
041	347925-0	SPIKE BUMPER		1		
042	266034-5	TAPPING SCREW CT 4X16		1		
043	227744-9	HELICAL GEAR 18		1		
044	213594-8	O RING 7		1		
045	452668-2	CLAMP SCREW BEDDING		1		
046	347923-4	TENSION SLIDE		1		
047	227743-1	HELICAL GEAR 11		1		
048	413D06-7	GEAR COVER		1	*	
048-1	4130H2-7	GEAR COVER	<	1		
049	266034-5	TAPPING SCREW CT 4X16		1		
050	141E60-4	LINK PLATE COMPLETE		1		
051	232452-9	COMPRESSION SPRING 7		1		
052	347922-6	BRAKE BAND COMPLETE		1		
053	213060-5	O RING 10		1		
054	162979-4	BRAKE DRUM		1		
055	191V91-5	SPROCKET 7 SET		1		
056	961013-5	STOP RING E-7		1		
057	413C95-6	BRAKE COVER		1		
058	266034-5	TAPPING SCREW CT 4X16		6		
059	413C88-3	BATTERY COVER		1		
060	8117H1-9	UC012G NAME PLATE		1		
061	136689-9	HOUSING L ASSEMBLY		1		
D10		INC. 59,62				
062	266326-2	TAPPING SCREW 4X18		4		
063	266326-2	TAPPING SCREW 4X18		9		
064	620J22-0	SWITCH CIRCUIT COMPLETE		1		
C10	810D46-0	SWITCH LABEL		1		
065	232733-1	TORSION SPRING 10		1		
066	413C94-8	CATCH LEVER		1		
067	650024-2	SWITCH C3JR-4B-PAND4-1		1		
068	632T50-3	SWITCH UNIT		1		
069	413C93-0	SWITCH LEVER		1		
070	632L49-0	SWITCH UNIT		1		
071	8117H6-9	UC012G SERIAL NO. LABEL		1		
072	632T07-4	TERMINAL UNIT		1		
073	652031-1	PAN HEAD SCREW M3X6		2		
074	266326-2	TAPPING SCREW 4X18		3		
075	266326-2	TAPPING SCREW 4X18		2		
076	183V16-3	TERMINAL BOX SET		1		
C10	263005-3	RUBBER PIN 6		2		
080	911228-4	PAN HEAD SCREW M5X18		4		
081	136674-2	HOUSING R ASSEMBLY		1		
C10	8025F3-0	XGT LOGO LABEL		1		
084	413D09-1	GUARD C		1		
085	413D10-6	GUARD D		1		
086	422833-7	GROMMET		1		
087	422832-9	CHIP GUIDE		1		

088	413C98-0	INNER COVER		1		
089	266427-6	TAPPING SCREW 4X12		1	*	
089-1	265C54-4	TAPPING SCREW 4X12	O	1		
090	266427-6	TAPPING SCREW 4X12		1	*	
090-1	265C54-4	TAPPING SCREW 4X12	O	1		
091	413C96-4	SPROCKET COVER		1		
092	162493-0	FLANGE NUT COMPLETE		2		
093	413C97-2	NUT COVER		1		
094	183V86-2	SPROCKET COVER SET		1		
D10		INC. 84-93				
A01	191T88-2	GUIDE BAR 16 SET		1		
A02	419242-9	CHAIN COVER		1		
A04	191T92-1	SAW CHAIN 16 SET		1		
A05	782023-7	WRENCH 13-16		1		
E01	8050E9-0	SOUND LABEL		1		
F01	191G24-0	GUIDE BAR 14 SET		1		
F02	191G25-8	GUIDE BAR 16 SET		1		
F03	191G26-6	GUIDE BAR 18 SET		1		
F04	191H11-5	SAW CHAIN 14 SET		1		
F05	191H12-3	SAW CHAIN 16 SET		1		
F06	191H13-1	SAW CHAIN 18 SET		1		
F13	191V90-7	SPROCKET 6 SET		1		
F14	191V91-5	SPROCKET 7 SET		1		
F17	195093-1	CHAIN OIL SET		1		
F18	198457-8	CHAIN EDGER SET		1	*	
F18-1	D-70948	FILE HOLDER SET 4.0MM(5/32")	O	1		

Please state Parts No. when your order.

Print Date 03/01/2024