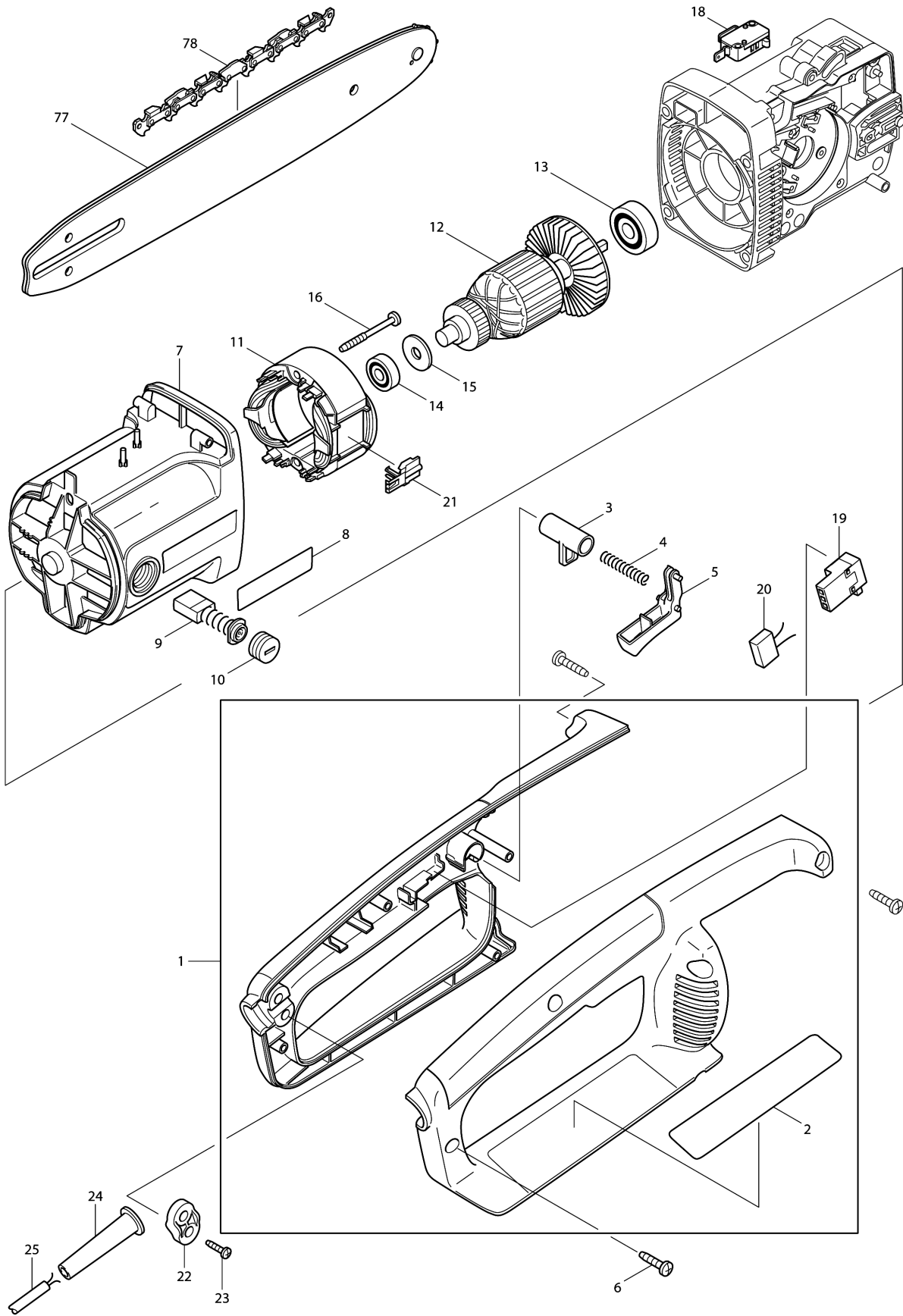
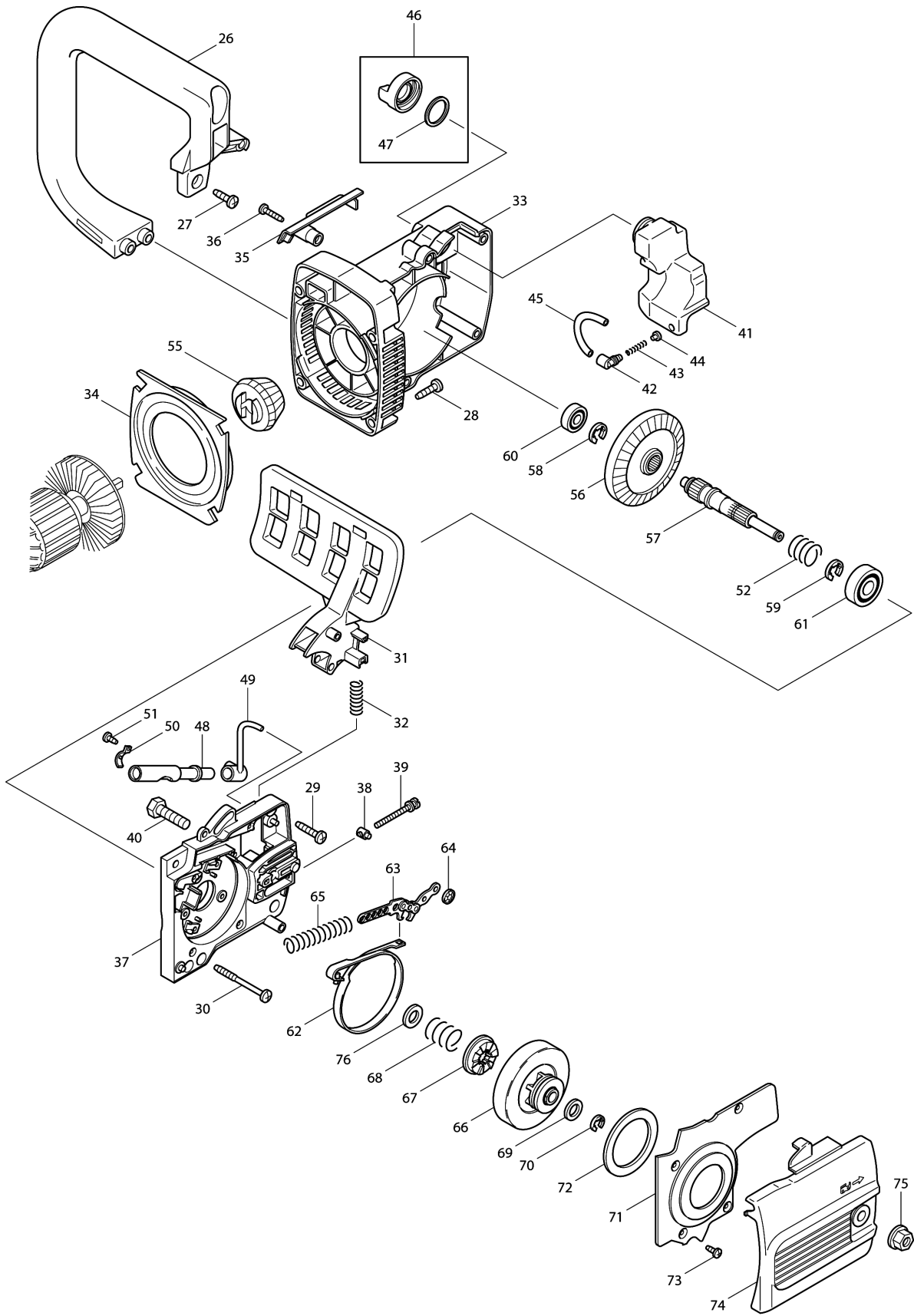


Model No.UC3000A CHAIN SAW



Model No.UC3000A CHAIN SAW



Model No.UC3000A CHAIN SAW

| Item  | Parts No. | Description           | I/C | Qty | New/Old | Opt. 1 | Opt. 2 | Note |
|-------|-----------|-----------------------|-----|-----|---------|--------|--------|------|
| 001   | 225310660 | HANDLE CPL.           |     | 1   |         |        |        |      |
| D10   |           | INC. 2                |     |     |         |        |        |      |
| 002   | 980114181 | LABEL                 |     | 1   |         |        |        |      |
| 003   | 225144010 | LOCKING BUTTON        |     | 1   | *       |        |        |      |
| 003-1 | 416178-3  | LOCK-OFF BUTTON       | O   | 1   |         |        |        |      |
| 004   | 225145010 | SPRING                |     | 1   |         |        |        |      |
| 005   | 225271010 | POWER SWITCH          |     | 1   |         |        |        |      |
| 006   | 913540185 | SCREW 4X18            |     | 6   |         |        |        |      |
| 007   | 225111660 | MOTOR CASE            |     | 1   |         |        |        |      |
| 008   | 980114348 | LABEL                 |     | 1   |         |        |        |      |
| 009   | 957802410 | CARBON BRUSH(2PCS.)   |     | 2   |         |        |        |      |
| 010   | 970802420 | COVERF.CARBON BRUSH   |     | 2   |         |        |        |      |
| 011   | 970802270 | STATOR ASSY. 220-240V |     | 1   |         |        |        |      |
| 012   | 970802350 | ROTOR ASSY 220-240V   |     | 1   |         |        |        |      |
| 013   | 960103126 | BALL BEARING 6301RRS  |     | 1   | *       |        |        |      |
| 013-1 | 211111-8  | BALL BEARING 6301LLB  | O   | 1   |         |        |        |      |
| 014   | 960102094 | BALL BEARING 629ZZR   |     | 1   | *       |        |        |      |
| 014-1 | 211057-8  | BALL BEARING 629ZZ    | O   | 1   |         |        |        |      |
| 015   | 970802610 | DISTANCE PIECE        |     | 1   |         |        |        |      |
| 016   | 913550555 | SCREW M5X55           |     | 2   |         |        |        |      |
| 018   | 970001200 | SWITCH                |     | 1   |         |        |        |      |
| 019   | 975001190 | PUSH BUTTON           |     | 1   | *       |        |        |      |
| 019-1 | 651923-1  | SWITCH TG70B          | O   | 1   |         |        |        |      |
| 020   | 970109810 | CAPACITOR             |     | 1   |         |        |        |      |
| 021   | 970801860 | CLAMP                 |     | 1   |         |        |        |      |
| 022   | 225152050 | TRACTIN RELIEF,YELLOW |     | 1   |         |        |        |      |
| 023   | 913540185 | SCREW 4X18            |     | 2   |         |        |        |      |
| 024   | 225152010 | BREAK PROTECTION      |     | 1   | *       |        |        |      |
| 024-1 | 682540-6  | CORD GUARD 9.3-90     | O   | 1   |         |        |        |      |
| 025   | 970102110 | CABLE WITH PLUG       |     | 1   |         |        |        |      |
| 026   | 225310020 | TUBULAR HANDLE        |     | 1   |         |        |        |      |
| 027   | 913550255 | SCREW 5X25            |     | 2   |         |        |        |      |
| 028   | 913550255 | SCREW 5X25            |     | 4   |         |        |        |      |
| 029   | 913550255 | SCREW 5X25            |     | 2   |         |        |        |      |
| 030   | 913550555 | SCREW M5X55           |     | 2   |         |        |        |      |
| 031   | 225213110 | HAND GARD CPL.        |     | 1   | *       |        |        |      |
| 031-1 | 225213111 | HAND GARD CPL.        | <   | 1   |         |        |        |      |
| 032   | 225213060 | SPRING FOR HAND GUARD |     | 1   | *       |        |        |      |
| 032-1 | 233174-4  | COMPRESSION SPRING 6  | O   | 1   |         |        |        |      |
| 033   | 225211021 | GEAR HOUSING LEFT     |     | 1   | *       |        |        |      |
| 033-1 | 416171-7  | GEAR HOUSING          | O   | 1   |         |        |        |      |
| 034   | 225118010 | AIR GUIDE PLATE       |     | 1   |         |        |        |      |
| 035   | 225212010 | COVER                 |     | 1   |         |        |        |      |
| 036   | 913540185 | SCREW 4X18            |     | 1   |         |        |        |      |
| 037   | 225211011 | GEAR HOUSING RIGHT    |     | 1   |         |        |        |      |

Please order the parts with part number.

Print Date 23/10/2023

Model No.UC3000A CHAIN SAW

| Item  | Parts No. | Description               | I/C | Qty | New/Old | Opt. 1 | Opt. 2 | Note |
|-------|-----------|---------------------------|-----|-----|---------|--------|--------|------|
| 038   | 001213042 | TENSION SLIDE             |     | 1   |         |        |        |      |
| 039   | 901505354 | SCREW M5X35               |     | 1   |         |        |        |      |
| 040   | 900208304 | HEXAGONAL SCREW M8X30     |     | 1   |         |        |        |      |
| 041   | 225244010 | OIL TANK                  |     | 1   | *       |        |        |      |
| 042   | 225243010 | CONNECTION FOR TANK       |     | 1   |         |        |        |      |
| 043   | 021245060 | PRESSURE SPRING           |     | 1   | *       |        |        |      |
| 043-1 | 231975-4  | SPRING                    | O   | 1   |         |        |        |      |
| 044   | 021245100 | PLUG                      |     | 1   |         |        |        |      |
| 045   | 965452387 | TUBE                      |     | 1   |         |        |        |      |
| 046   | 205114201 | TANK PLUG CPL.            |     | 1   | *       |        |        |      |
| D10   |           | INC. 47                   |     |     | *       |        |        |      |
| 046-1 | 205114204 | TANK PLUG CPL.            | O   | 1   |         |        |        |      |
| D10   |           | INC. 47                   |     |     |         |        |        |      |
| 047   | 963100080 | GASKET                    |     | 1   |         |        |        |      |
| 048   | 021245003 | OIL PUMP CPL.             |     | 1   |         |        |        |      |
| 049   | 225242010 | TUBE                      |     | 1   |         |        |        |      |
| 050   | 203245001 | HOLDER FOR OIL PUMP       |     | 1   | *       |        |        |      |
| 050-1 | 203245002 | HOLDER FOR OIL PUMP       | O   | 1   |         |        |        |      |
| 051   | 915135100 | TAPPING SCREW 3.5X9.5     |     | 1   | *       |        |        |      |
| 051-1 | 266150-3  | TAPPING SCREW BT 3.5X9.5  | O   | 1   |         |        |        |      |
| 052   | 021245040 | WORM                      |     | 1   | *       |        |        |      |
| 052-1 | 231974-6  | WORM GEAR                 | O   | 1   |         |        |        |      |
| 055   | 225222010 | PINION                    |     | 1   | *       |        |        |      |
| 055-1 | 226743-8  | STRAIGHT BEVEL GEAR 14    | O   | 1   |         |        |        |      |
| 056   | 225221010 | GEAR WHEEL CPL.           |     | 1   | *       |        |        |      |
| 056-1 | 226741-2  | STRAIGHT BEVEL GEAR 43    | O   | 1   |         |        |        |      |
| 057   | 225221020 | SHAFT                     |     | 1   |         |        |        |      |
| 058   | 930110120 | SAFETY WASHER             |     | 1   | *       |        |        |      |
| 058-1 | 259034-2  | RETAINING RING E TYPE 10  | O   | 1   |         |        |        |      |
| 059   | 930110120 | SAFETY WASHER             |     | 1   | *       |        |        |      |
| 059-1 | 259034-2  | RETAINING RING E TYPE 10  | O   | 1   |         |        |        |      |
| 060   | 960101084 | BALL BEARING 608ZZ        |     | 1   |         |        |        |      |
| 061   | 960102124 | BALL BEARING              |     | 1   | *       |        |        |      |
| 061-1 | 211107-9  | BALL BEARING 6201ZZ       | O   | 1   |         |        |        |      |
| 062   | 225213050 | BRAKE SPRING              |     | 1   |         |        |        |      |
| 063   | 028213532 | BRAKE LINK PLATE COMPLETE |     | 1   | *       |        |        |      |
| 063-1 | 158044-5  | LINK PLATE COMPLETE       | O   | 1   |         |        |        |      |
| 064   | 930304030 | PUSH NUT 4                |     | 1   | *       |        |        |      |
| 064-1 | 259032-6  | PUSH NUT 4                | O   | 1   |         |        |        |      |
| 065   | 028213521 | SPRING                    |     | 1   | *       |        |        |      |
| 065-1 | 233175-2  | COMPRESSION SPRING 9      | O   | 1   |         |        |        |      |
| 066   | 225223110 | CLUTCH DRUM CPL.          |     | 1   | *       |        |        |      |
| 066-1 | 225223111 | CLUTCH DRUM CPL.          | O   | 1   |         |        |        |      |
| 067   | 225229010 | CRAWCOUPLING              |     | 1   |         |        |        |      |
| 068   | 225184010 | PRESSURE SPRING           |     | 1   |         |        |        |      |

Please order the parts with part number.

Print Date 23/10/2023

Model No.UC3000A CHAIN SAW

| Item  | Parts No. | Description                     | I/C | Qty | New/Old | Opt. 1 | Opt. 2 | Note |
|-------|-----------|---------------------------------|-----|-----|---------|--------|--------|------|
| 069   | 221229220 | WASHER                          |     | 1   |         |        |        |      |
| 070   | 930106070 | SAFETY WASHER                   |     | 1   |         |        |        |      |
| 071   | 225282011 | COVER PLATE                     |     | 1   |         |        |        |      |
| 072   | 965527070 | GASKET                          |     | 1   |         |        |        |      |
| 073   | 915835100 | SCREW                           |     | 1   | *       |        |        |      |
| 073-1 | 266149-8  | TAPPING SCREW BT 3.5X9.5        | O   | 1   |         |        |        |      |
| 074   | 225213100 | SPROCKET GUARD                  |     | 1   |         |        |        |      |
| 075   | 923208004 | HEX. FLANGE NUT M8(BAR NUT)     |     | 1   | *       |        |        |      |
| 075-1 | 252145-2  | COLLARED HEX NUT M8             | O   | 1   |         |        |        |      |
| 076   | 225189010 | WASHER                          |     | 1   |         |        |        |      |
| 077   | 442030661 | GUIDE BAR STD 12"3/8".050"<br>M |     | 1   | *       |        |        |      |
| 077-1 | 165200-0  | GUIDE BAR 12                    | O   | 1   |         |        |        |      |
| 078   | 528092646 | SAW CHAIN 12"                   |     | 1   |         |        |        |      |
| A01   | 952100633 | CHAIN PROT.COVER 12"-16"        |     | 1   |         |        |        |      |
| A02   | 941713001 | UNIVERSAL WRENCH                |     | 1   |         |        |        |      |

Please order the parts with part number.

Print Date 23/10/2023