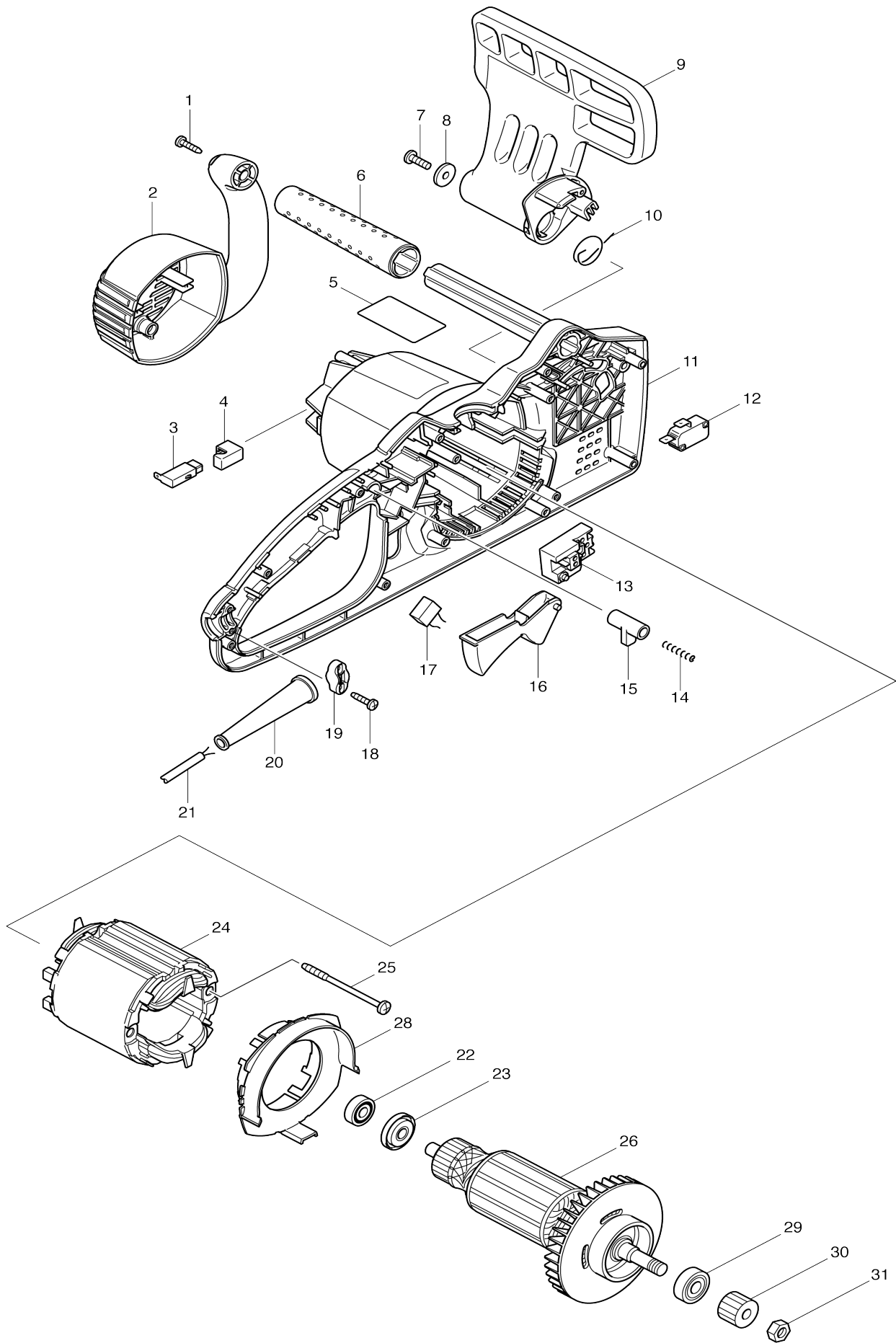
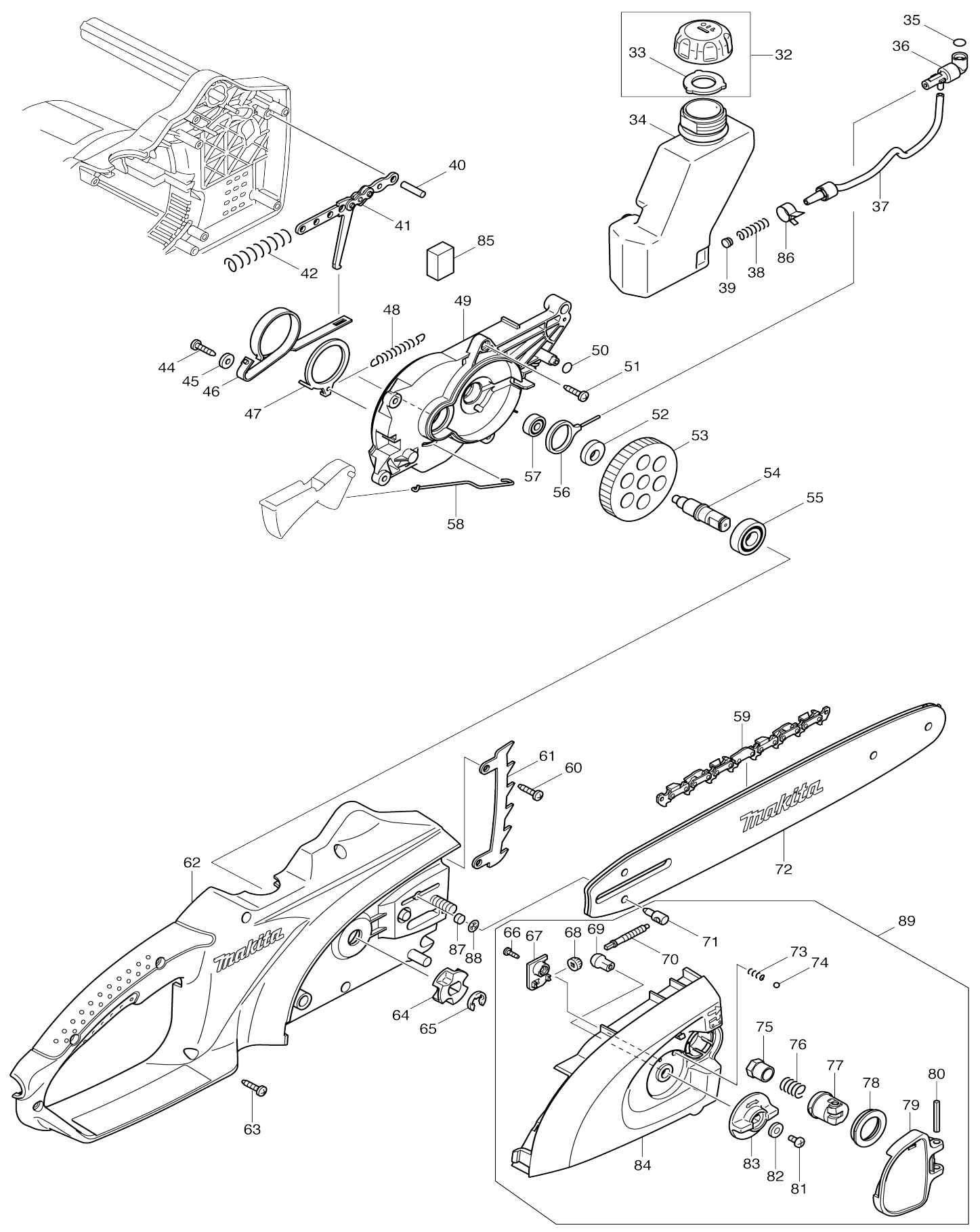


Model No. UC3020A CHAIN SAW 300MM



Model No. UC3020A CHAIN SAW 300MM



Model No.UC3020A CHAIN SAW 300MM

Item No.	Parts No.	Description	Interchangability	Q'ty	New/Old	Note1	Note2
001	266326-2	TAPPING SCREW 4X18		3			
002	419234-8	REAR COVER		1	*		
002-1	419234-8	REAR COVER	O	1			
003	191972-1	CARBON BRUSH CB-132		1	*		
003-1	194984-3	CARBON BRUSH SET CB-132	O	1			
004	682211-5	RUBBER SLEEVE		2			
005	861985-3	UC3020A NAME PLATE		1			
006	421938-0	FRONT GRIP		1			
007	266388-0	TAPPING SCREW 5X16		1			
008	267189-9	FLAT WASHER 5		1			
009	419235-6	FRONT HAND GUARD		1			
010	231640-5	TORSION SPRING 20		1			
011	188089-9	HOUSING SET		1			
C10	810866-8	CAUTION LABEL		1			
D10		INC. 62					
012	650577-1	SWITCH SD-006-BB2AA-AA		1			
013	651922-3	SWITCH TG71B		1			
014	233173-6	COMPRESSION SPRING 4		1			
015	416178-3	LOCK-OFF BUTTON		1			
016	416708-0	SWITCH LEVER		1			
017	645200-1	NOISE SUPPRESSOR		1			
018	266326-2	TAPPING SCREW 4X18		2			
019	687052-4	STRAIN RELIEF		1	*		
019-1	687124-5	STRAIN RELIEF	O	1			
020	682540-6	CORD GUARD 9.3-90		1			
021	665876-8	POWER SUPPLY CORD 1.0-2-0.6		1			
022	210029-0	BALL BEARING 608ZZ		1			
023	681644-1	INSULATION WASHER		1			
024	594538-0	FIELD ASS'Y 220-240V		1	*		
C10	654069-2	RECEPTACLE		2	*		
C20	654208-4	RECEPTACLE		1	*		
024-1	593869-4	FIELD ASS'Y 220-240V	O	1			
C10	654069-2	RECEPTACLE		2	*		
C11	654086-2	RECEPTACLE	O	2			
C20	654208-4	RECEPTACLE		1			
025	266389-8	TAPPING SCREW 5X70		2			
026	513643-4	ARMATURE ASS'Y 220-240V		1	*		
D10		INC. 22,23					
026-1	513713-9	ARMATURE ASS'Y 220-240V	O	1			
D10		INC. 22,23,29					
028	419238-0	BAFFLE PLATE		1			
029	211061-7	BALL BEARING 6000LLB		1			
030	227153-2	SPUR GEAR 12		1			
031	931403-6	HEX. NUT M8		1			
032	286274-9	CAP		1	*		
032-1	135414-5	CAP ASS'Y	<	1			
D10		INC. 33					

033	421934-8	PACKING		1		
034	419240-3	OIL TANK		1		
035	213039-6	O RING 6		1	*	
035-1	213039-6	O RING 6		1		
036	154762-3	OIL PUMP COMPLETE		1	*	
036-1	158390-6	OIL PUMP COMPLETE	<	1	*	
036-2	158435-0	OIL PUMP COMPLETE	S	1	*	
036-3	158942-3	OIL PUMP COMPLETE	S	1	*	
036-4	142001-3	OIL PUMP COMPLETE	<	1		
037	421935-6	OIL TUBE		1		
038	231975-4	SPRING		1		
039	416274-7	CAP		1		
040	256021-2	PIN 5		1		
041	158047-9	LINK PLATE COMPLETE		1		
042	233175-2	COMPRESSION SPRING 9		1		
044	266326-2	TAPPING SCREW 4X18		1	*	
044-1	265620-9	TAPPING SCREW FLANGE 4X18	S	1		
045	267195-4	FLAT WASHER 4		1	*	
046	168321-7	BRAKE BAND		1		
047	344688-9	BRAKE RING		1		
048	231817-2	TENSION SPRING 5		1		
049	419236-4	BEARING HOLDER		1	*	
049-1	452456-7	BEARING HOLDER	<	1		
050	213039-6	O RING 6		1		
051	266326-2	TAPPING SCREW 4X18		4		
052	417405-1	CAM		1		
053	227154-0	SPUR GEAR 43		1		
054	324619-4	SPINDLE		1		
055	210106-8	BALL BEARING 6001LLB		1		
056	416513-5	CRANK		1	*	
056-1	450230-7	CRANK	S	1		
057	210028-2	BALL BEARING 606ZZ		1		
058	324622-5	ROD		1		
059	528092646	SAW CHAIN 12"		1	*	
059-1	531290046	SAW CHAIN 12"	X	1	*	
059-2	511291746	SAW CHAIN 3/8LP.043" L46 CC D	O	1	*	
059-3	196740-7	SAW CHAIN SET	O	1	*	
059-4	191H01-8	SAW CHAIN 12 SET	O	1		
060	266326-2	TAPPING SCREW 4X18		2		
061	345651-5	SPIKE BUMPER		1		
062	188089-9	HOUSING SET		1		
C10	810866-8	CAUTION LABEL		1		
D10		INC. 11				
063	266326-2	TAPPING SCREW 4X18		7		
064	221526-1	SPROCKET		1		
065	259036-8	STOP RING E-8		1		
066	266007-8	TAPPING SCREW BIND PT 3X10		1		
067	419241-1	COVER		1		
068	227496-2	STRAIGHT BEVEL GEAR 14		1		
069	227495-4	STRAIGHT BEVEL GEAR 14		1		
070	324620-9	ADJUST SCREW		1		
071	324621-7	ADJUST PIN		1		

072	165245-8	GUIDE BAR 12		1	*		
072-1	165245-8	GUIDE BAR 12	O	1	*		
072-2	165245-8	GUIDE BAR 12	O	1			
073	233033-2	COMPRESSION SPRING 4		1			
074	216008-6	STEEL BALL 4		1			
075	252168-0	HEX. NUT M8-13		1			
076	231025-5	COMPRESSION SPRING 8		1			
077	317977-5	LEVER HOLDER		1			
078	419271-2	CUP WASHER 20		1			
079	154763-1	LEVER COMPLETE		1			
C10	816853-5	INDICATION LABEL		1			
080	951122-8	SPRING PIN 4-28		1			
081	915106-0	BINDING HEAD SCREW M4X8		1			
082	253874-0	FLAT WASHER 4		1			
083	419233-0	DIAL 40		1			
084	154761-5	SPROCKET COVER COMPLETE		1			
085	421960-7	SPONGE		1			
086	324685-1	HOSE CLAMP		1			
087	443125-1	FILTER		1	*		
088	259041-5	PUSH NUT 8		1	*		
089	135249-4	SPROCKET COVER ASS'Y		1			
D10		INC. 66-71,73-84					
A01	158024-1	HOOK COMPLETE		1			
A02	419288-5	CHAIN COVER		1			
A03	803890-8	UC3020A CARTON LABEL		1			

Please state Parts No. when your order.

Print Date 23/10/2023