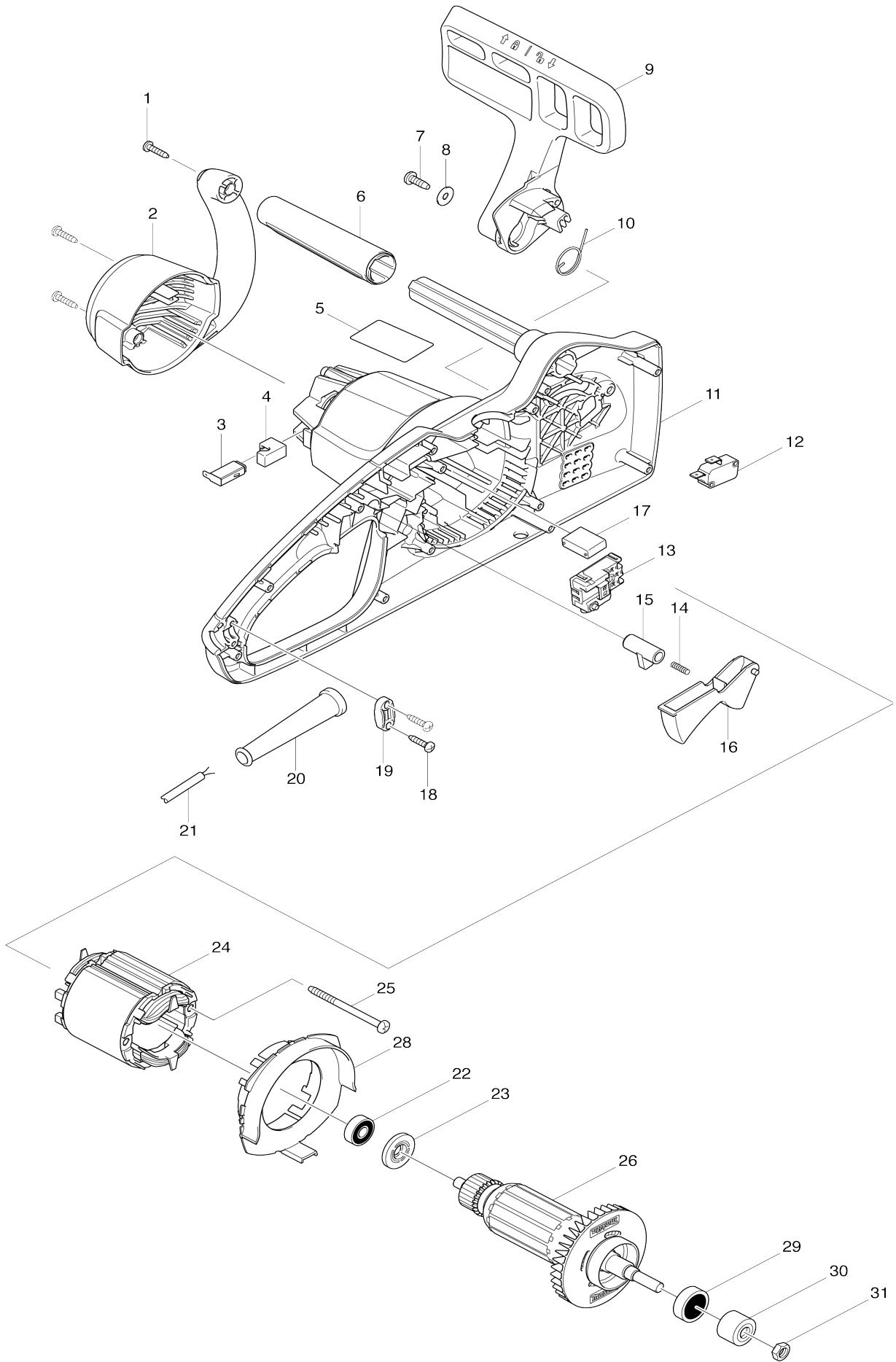
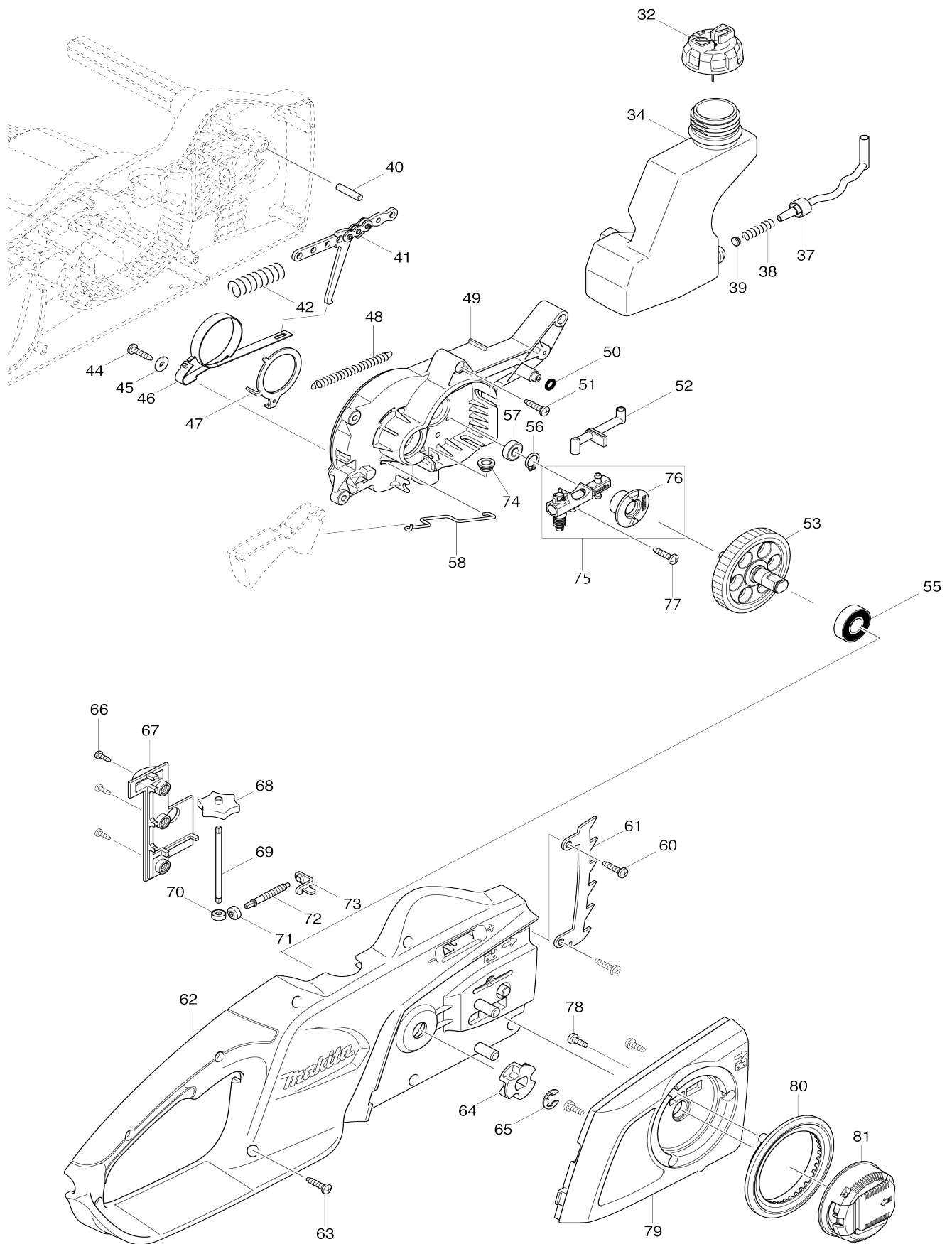


# Model No. UC3541A 350MM ELECTRIC CHAIN SAW



# Model No. UC3541A 350MM ELECTRIC CHAIN SAW



Model No.UC3541A 350MM ELECTRIC CHAIN SAW

Item No.	Parts No.	Description	Interchangeability	Q'ty	New/Old	Note1	Note2
001	266326-2	TAPPING SCREW 4X18		3			
002	454725-2	REAR COVER		1			
003	191972-1	CARBON BRUSH CB-132		1			
004	682211-5	RUBBER SLEEVE		2			
005	815A83-1	UC3541A NAME PLATE		1			
006	424600-6	FRONT GRIP		1			
007	266388-0	TAPPING SCREW 5X16		1	*		
007-1	265D74-4	TAPPING SCREW 5X16	O	1			
008	253807-5	FLAT WASHER 5		1			
009	142279-8	FRONT HAND GUARD COMPLETE		1			
C10	802K54-7	INDICATION LABEL		1			
010	231640-5	TORSION SPRING 20		1			
011	187869-0	HOUSING SET		1			
C10	802G51-9	CAUTION LABEL		1			
D10		INC. 62					
012	650577-1	SWITCH SD-006-BB2AA-AA		1			
013	650716-3	SWITCH TGC31B		1			
014	233173-6	COMPRESSION SPRING 4		1	*		
014-1	233194-8	COMPRESSION SPRING 4	O	1			
015	416178-3	LOCK-OFF BUTTON		1	*		
015-1	413B17-0	LOCK OFF BUTTON	<	1			
016	455185-1	SWITCH LEVER		1			
017	645149-5	NOISE SUPPRESSOR		1			
018	266326-2	TAPPING SCREW 4X18		2			
019	687124-5	STRAIN RELIEF		1			
020	682540-6	CORD GUARD 9.3-90		1			
021	665876-8	POWER SUPPLY CORD 1.0-2-0.6		1			
022	210029-0	BALL BEARING 608ZZ		1			
023	681644-1	INSULATION WASHER		1			
024	594538-0	FIELD ASS'Y 220-240V		1	*		
C10	654069-2	RECEPTACLE		2	*		
C20	654208-4	RECEPTACLE		1	*		
024-1	593869-4	FIELD ASS'Y 220-240V	O	1	*		
C10	654069-2	RECEPTACLE		2	*		
C20	654208-4	RECEPTACLE		1	*		
024-2	590103-3	FIELD ASS'Y 220-240V	O	1	*		
C10	654086-2	RECEPTACLE		2	*		
C20	654199-9	RECEPTACLE		1	*		
024-3	593869-4	FIELD ASS'Y 220-240V	O	1			
C10	654069-2	RECEPTACLE		2			
C20	654208-4	RECEPTACLE		1			
025	266389-8	TAPPING SCREW 5X70		2	*		
025-1	265D35-4	TAPPING SCREW 5X70	O	2			
026	513893-1	ARMATURE ASS'Y 220-240V		1	*		
D10		INC. 22,23,29					
026-1	511A83-6	ARMATURE ASS'Y 220-240V	S	1			
D10		INC. 22,23,29					

028	419238-0	BAFFLE PLATE		1		
029	211061-7	BALL BEARING 6000LLB		1		
030	227153-2	SPUR GEAR 12		1		
031	931403-6	HEX. NUT M8		1		
032	142282-9	TANK CAP COMPLETE		1		
034	454729-4	OIL TANK		1		
037	424602-2	OIL TUBE		1		
038	231975-4	SPRING		1		
039	416274-7	CAP		1		
040	268238-5	PIN 5		1		
041	158047-9	LINK PLATE COMPLETE		1		
042	233175-2	COMPRESSION SPRING 9		1		
044	266326-2	TAPPING SCREW 4X18		1	*	
044-1	265620-9	TAPPING SCREW FLANGE 4X18	S	1		
045	267195-4	FLAT WASHER 4		1	*	
046	168321-7	BRAKE BAND		1		
047	346739-4	BRAKE RING		1		
048	231817-2	TENSION SPRING 5		1		
049	454720-2	BEARING HOUSING		1	*	
049-1	413J59-2	BEARING HOUSING	S	1		
050	213017-6	O RING 6		1		
051	266326-2	TAPPING SCREW 4X18		4		
052	424601-4	CONNECTOR		1		
053	135615-5	SPUR GEAR 43 ASS'Y		1		
055	210106-8	BALL BEARING 6001LLB		1		
056	961006-2	RETAINING RING S-10		1		
057	210033-9	BALL BEARING 696ZZ		1		
058	326359-0	ROD		1		
060	266326-2	TAPPING SCREW 4X18		2		
061	345651-5	SPIKE BUMPER		1		
062	187869-0	HOUSING SET		1		
C10	802G51-9	CAUTION LABEL		1		
D10		INC. 11				
063	266326-2	TAPPING SCREW 4X18		7		
064	221526-1	SPROCKET		1		
065	259036-8	STOP RING E-8		1		
066	266007-8	TAPPING SCREW BIND PT 3X10		3		
067	454727-8	TENSION COVER		1		
068	454726-0	DIAL 30		1		
069	326360-5	SHAFT		1		
070	227496-2	STRAIGHT BEVEL GEAR 14		1		
071	227496-2	STRAIGHT BEVEL GEAR 14		1		
072	324620-9	ADJUST SCREW		1		
073	346740-9	TENSION SLIDE		1	*	
073-1	346859-4	TENSION SLIDE	<	1		
074	424603-0	GROMMET		1		
075	196419-0	OIL PUMP SET		1	*	
D10		INC. 76				
075-1	142156-4	OIL PUMP COMPLETE	<	1	*	
075-2	142156-4	OIL PUMP COMPLETE	O	1		
076	221427-3	WORM GEAR		1		
077	266326-2	TAPPING SCREW 4X18		1		

078	266427-6	TAPPING SCREW 4X12		3			
079	142281-1	SPROCKET COVER COMPLETE		1			
C10	802E36-3	INDICATION LABEL		1			
080	454728-6	COVER		1			
081	142235-8	NUT COMPLETE		1			
082	804G74-3	SOUND 104DB LABEL		1			
A01	158024-1	HOOK COMPLETE		1			
A02	165246-6	GUIDE BAR 14		1	*		
A02-1	165246-6	GUIDE BAR 14	O	1			
A03	419288-5	CHAIN COVER		1			
A04	196741-5	SAW CHAIN SET		1	*		
A04-1	511291752	SAW CHAIN 3/8LP.043" L52 CC D	O	1	*		
A04-2	196741-5	SAW CHAIN SET	O	1			

Please state Parts No. when your order.

Print Date 03/01/2024