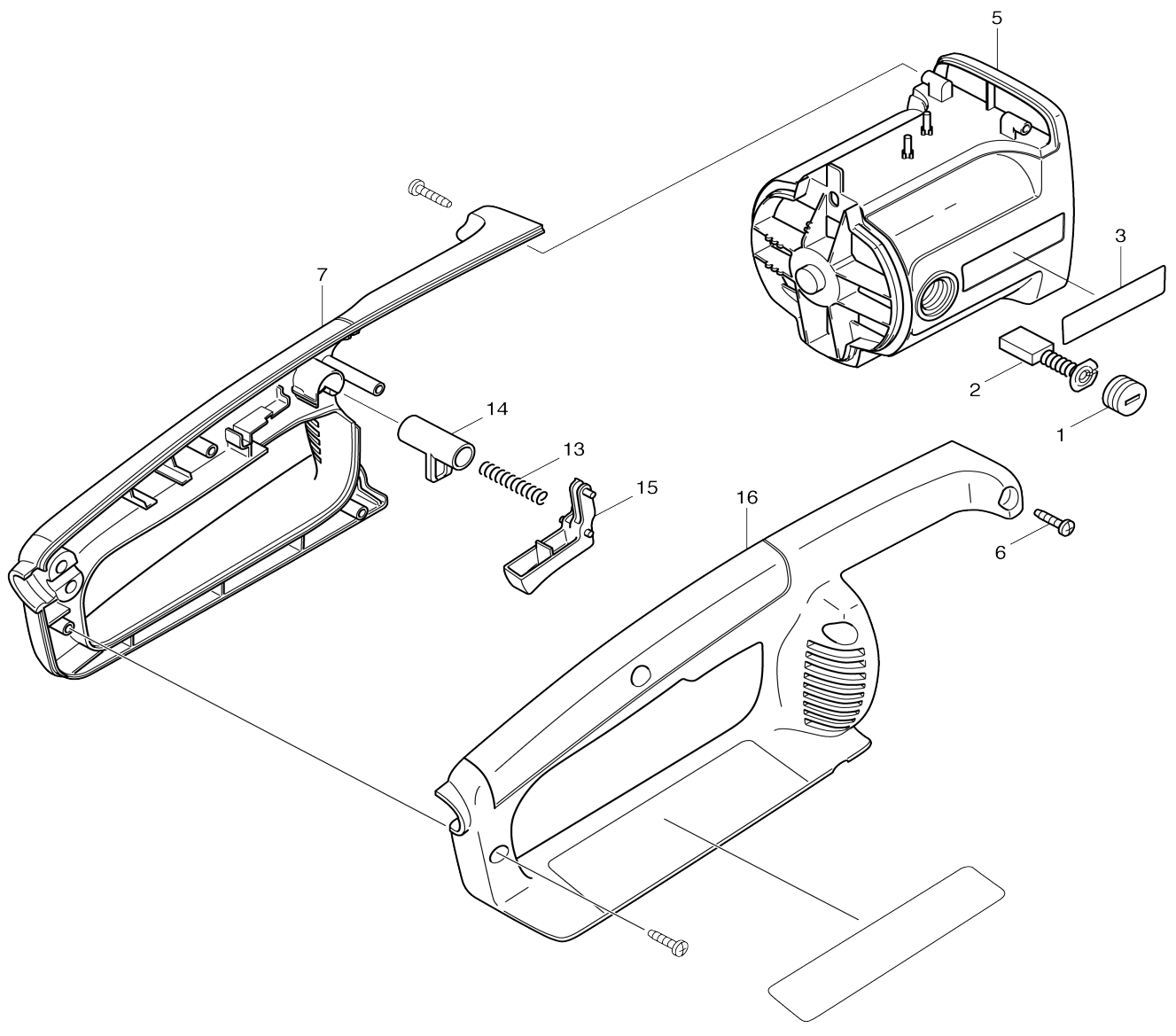
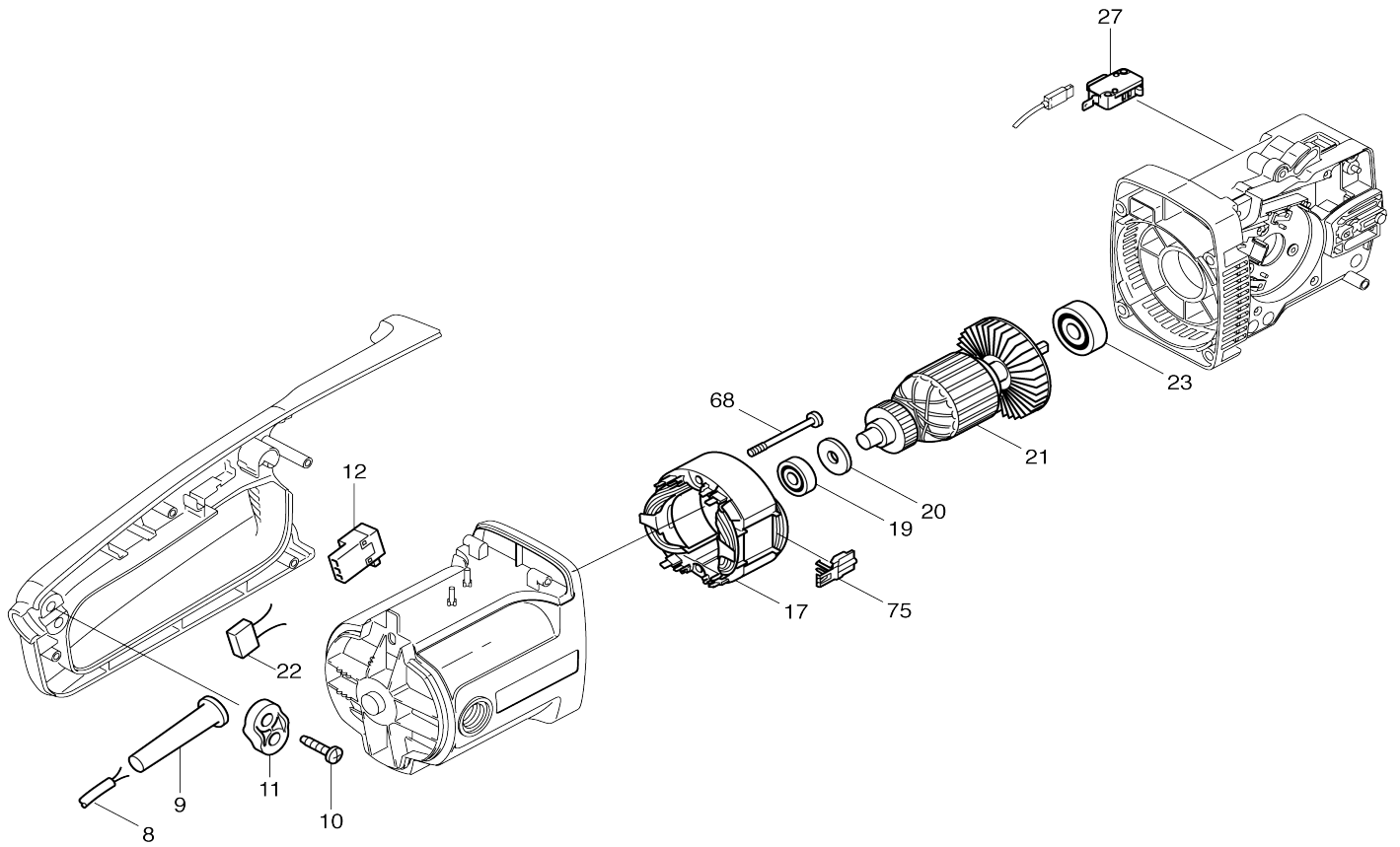


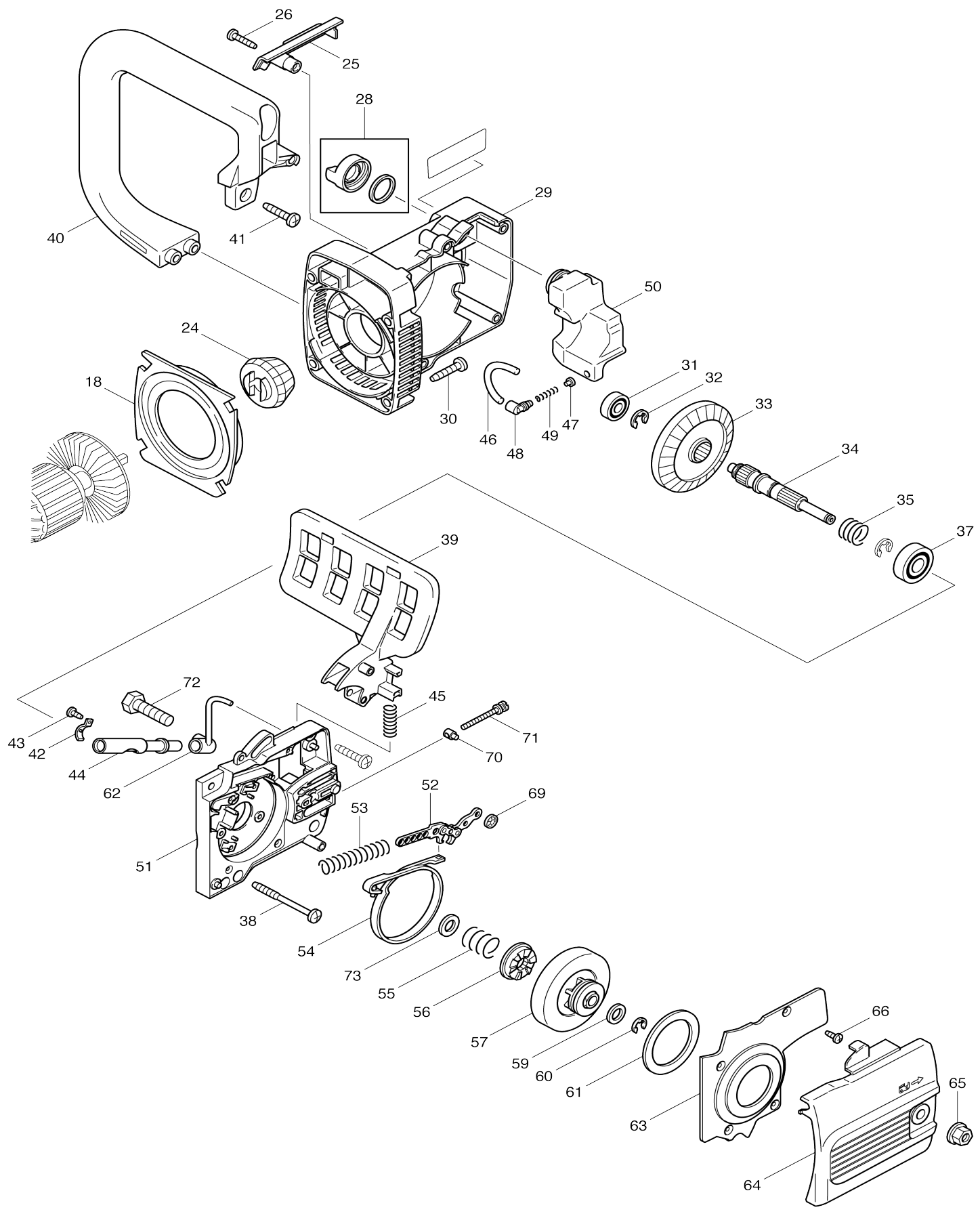
Model No. UC4001A CHAIN SAW



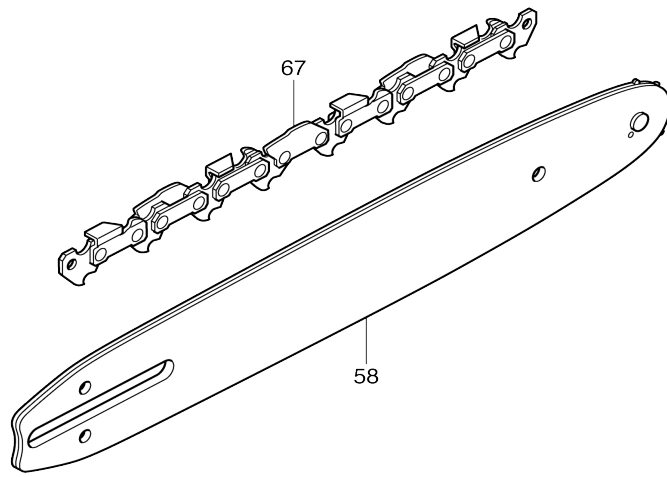
Model No.UC4001A CHAIN SAW



Model No.UC4001A CHAIN SAW



Model No. UC4001A CHAIN SAW



Model No.UC4001A CHAIN SAW

| Item No. | Parts No. | Description | Interchangability | Q'ty | New/Old | Note1 | Note2 |
|----------|-----------|------------------------|-------------------|------|---------|-------|-------|
| 001 | 970802420 | COVERF.CARBON BRUSH | | 2 | | | |
| 002 | 957802410 | CARBON BRUSH(2PCS.) | | 2 | | | |
| 003 | 980114348 | LABEL | | 1 | | | |
| 004 | 970311380 | CABLE,BRACK | | 1 | | | |
| 005 | 225111660 | MOTOR CASE | | 1 | | | |
| 006 | 913540185 | SCREW 4X18 | | 6 | | | |
| 007 | 225310660 | HANDLE CPL. | | 1 | | | |
| C10 | 980114400 | LABEL | | 1 | | | |
| D10 | | INC. 16 | | | | | |
| 008 | 970102110 | CABLE WITH PLUG | | 1 | | | |
| 009 | 225152010 | BREAK PROTECTION | | 1 | * | | |
| 009-1 | 682540-6 | CORD GUARD 9.3-90 | O | 1 | | | |
| 010 | 913540185 | SCREW 4X18 | | 1 | | | |
| 011 | 225152050 | TRACTIN RELIEF,YELLOW | | 1 | | | |
| 012 | 975001190 | PUSH BUTTON | | 1 | * | | |
| 012-1 | 651923-1 | SWITCH TG70B | O | 1 | | | |
| 013 | 225145010 | SPRING | | 1 | | | |
| 014 | 225144010 | LOCKING BUTTON | | 1 | * | | |
| 014-1 | 416178-3 | LOCK-OFF BUTTON | O | 1 | | | |
| 015 | 225271010 | POWER SWITCH | | 1 | | | |
| 016 | 225310660 | HANDLE CPL. | | 1 | | | |
| C10 | 980114400 | LABEL | | 1 | | | |
| D10 | | INC. 7 | | | | | |
| 017 | 970802270 | STATOR ASSY. 220-240V | | 1 | | | |
| C10 | 970311310 | CABLE,BLACK | | 1 | | | |
| C20 | 970311330 | CABLE,YELLOW | | 1 | | | |
| C30 | 970311370 | CABLE,WHITE | | 2 | | | |
| 018 | 225118010 | AIR GUIDE PLATE | | 1 | | | |
| 019 | 960102094 | BALL BEARING 629ZZR | | 1 | * | | |
| 019-1 | 211057-8 | BALL BEARING 629ZZ | O | 1 | | | |
| 020 | 970802610 | DISTANCE PIECE | | 1 | | | |
| 021 | 970802350 | ROTOR ASSY 220-240V | | 1 | | | |
| D10 | | INC. 19,20,23 | | | | | |
| 022 | 970109810 | CAPACITOR | | 1 | | | |
| 023 | 960103126 | BALL BEARING 6301RRS | | 1 | * | | |
| 023-1 | 211111-8 | BALL BEARING 6301LLB | O | 1 | | | |
| 024 | 225222010 | PINION | | 1 | * | | |
| 024-1 | 226743-8 | STRAIGHT BEVEL GEAR 14 | O | 1 | | | |
| 025 | 225212010 | COVER | | 1 | | | |
| 026 | 913540185 | SCREW 4X18 | | 1 | | | |
| 027 | 970001200 | SWITCH | | 1 | | | |
| 028 | 205114201 | TANK PLUG CPL. | | 1 | * | | |
| C10 | 963100080 | GASKET | | 1 | * | | |
| 028-1 | 205114204 | TANK PLUG CPL. | O | 1 | | | |
| C10 | 963100080 | GASKET | | 1 | | | |
| 029 | 225211021 | GEAR HOUSING LEFT | | 1 | * | | |
| 029-1 | 416171-7 | GEAR HOUSING | O | 1 | | | |
| | | | | | | | |

| | | | | | | |
|-------|-----------|------------------------------|---|---|---|--|
| 030 | 913550255 | SCREW 5X25 | | 4 | | |
| 031 | 960101084 | BALL BEARING 608ZZ | | 1 | | |
| 032 | 930110120 | SAFETY WASHER | | 2 | * | |
| 032-1 | 259034-2 | RETAINING RING E TYPE 10 | O | 2 | | |
| 033 | 225221010 | GEAR WHEEL CPL. | | 1 | * | |
| 033-1 | 226741-2 | STRAIGHT BEVEL GEAR 43 | O | 1 | | |
| 034 | 225221020 | SHAFT | | 1 | | |
| 035 | 021245040 | WORM | | 1 | * | |
| 035-1 | 231974-6 | WORM GEAR | O | 1 | | |
| 037 | 960102124 | BALL BEARING | | 1 | * | |
| 037-1 | 211107-9 | BALL BEARING 6201ZZ | O | 1 | | |
| 038 | 913550555 | SCREW M5X55 | | 2 | | |
| 039 | 225213110 | HAND GARD CPL. | | 1 | * | |
| 039-1 | 225213111 | HAND GARD CPL. | < | 1 | | |
| 040 | 225310020 | TUBULAR HANDLE | | 1 | | |
| 041 | 913550255 | SCREW 5X25 | | 4 | | |
| 042 | 203245001 | HOLDER FOR OIL PUMP | | 1 | * | |
| 042-1 | 203245002 | HOLDER FOR OIL PUMP | O | 1 | | |
| 043 | 915135100 | TAPPING SCREW 3.5X9.5 | | 1 | * | |
| 043-1 | 266150-3 | TAPPING SCREW BT 3.5X9.5 | O | 1 | | |
| 044 | 021245003 | OIL PUMP CPL. | | 1 | | |
| 045 | 225213060 | SPRING FOR HAND GUARD | | 1 | * | |
| 045-1 | 233174-4 | COMPRESSION SPRING 6 | O | 1 | | |
| 046 | 965452387 | TUBE | | 1 | | |
| 047 | 021245100 | PLUG | | 1 | | |
| 048 | 225243010 | CONNECTION FOR TANK | | 1 | | |
| 049 | 021245060 | PRESSURE SPRING | | 1 | * | |
| 049-1 | 231975-4 | SPRING | O | 1 | | |
| 050 | 225244010 | OIL TANK | | 1 | * | |
| 051 | 225211011 | GEAR HOUSING RIGHT | | 1 | | |
| 052 | 028213532 | BRAKE LINK PLATE COMPLETE | | 1 | * | |
| 052-1 | 158044-5 | LINK PLATE COMPLETE | O | 1 | | |
| 053 | 028213521 | SPRING | | 1 | * | |
| 053-1 | 233175-2 | COMPRESSION SPRING 9 | O | 1 | | |
| 054 | 225213050 | BRAKE SPRING | | 1 | | |
| 055 | 225184010 | PRESSURE SPRING | | 1 | | |
| 056 | 225229010 | CRAWCOUPLING | | 1 | | |
| 057 | 225223110 | CLUTCH DRUM CPL. | | 1 | * | |
| 057-1 | 225223111 | CLUTCH DRUM CPL. | O | 1 | | |
| 058 | 442040661 | GUIDE BAR STD 16"3/8".050" M | | 1 | | |
| 059 | 221229220 | WASHER | | 1 | | |
| 060 | 930106070 | SAFETY WASHER | | 1 | | |
| 061 | 965527070 | GASKET | | 1 | | |
| 062 | 225242010 | TUBE | | 1 | | |
| 063 | 225282011 | COVER PLATE | | 1 | | |
| 064 | 225213100 | SPROCKET GUARD | | 1 | | |
| 065 | 923208004 | HEX. FLANGE NUT M8(BAR NUT) | | 1 | * | |
| 065-1 | 252145-2 | COLLARED HEX NUT M8 | O | 1 | | |
| 066 | 915835100 | SCREW | | 4 | * | |
| 066-1 | 266149-8 | TAPPING SCREW BT 3.5X9.5 | O | 4 | | |
| 067 | 528092656 | SAW CHAIN 16" | | 1 | | |
| 068 | 913550555 | SCREW M5X55 | | 2 | | |

| | | | | | | | |
|-------|-----------|-----------------------|---|---|---|--|--|
| 069 | 930304030 | PUSH NUT 4 | | 1 | * | | |
| 069-1 | 259032-6 | PUSH NUT 4 | O | 1 | | | |
| 070 | 001213042 | TENSION SLIDE | | 1 | | | |
| 071 | 901505354 | SCREW M5X35 | | 1 | | | |
| 072 | 900208304 | HEXAGONAL SCREW M8X30 | | 1 | | | |
| 073 | 225189010 | WASHER | | 1 | | | |
| 075 | 970801860 | CLAMP | | 1 | | | |

Please state Parts No. when your order.

Print Date 23/10/2023