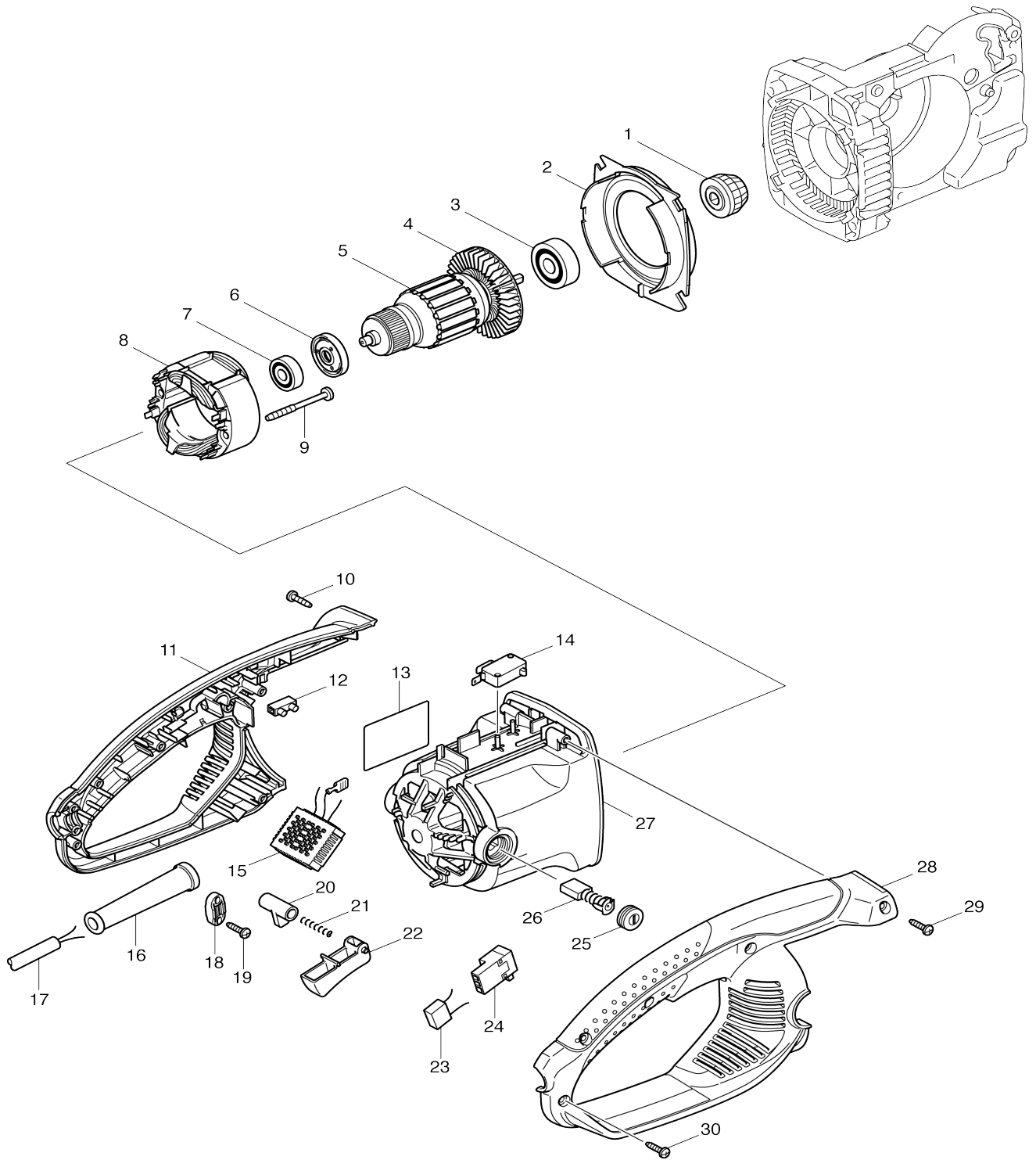
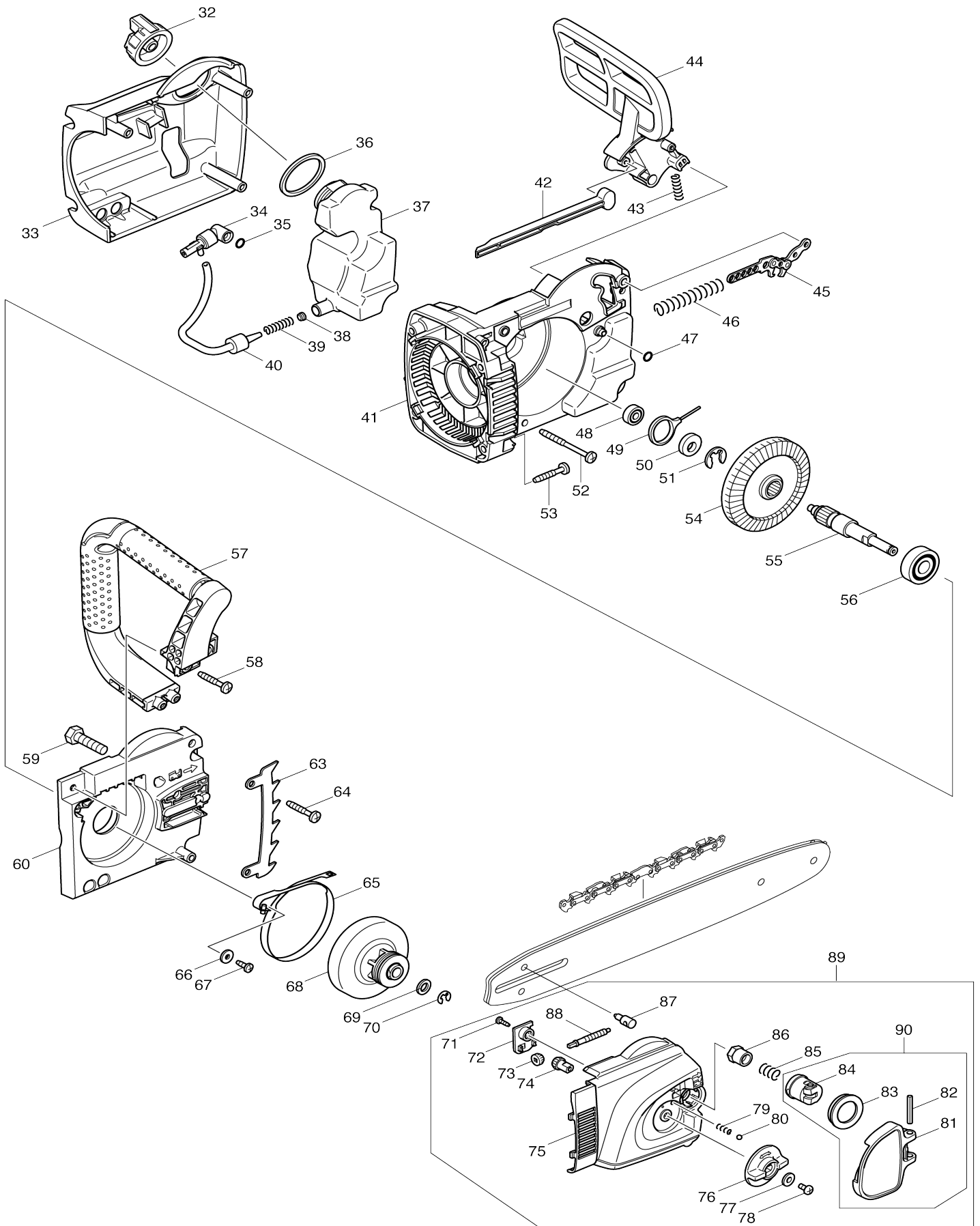


Model No.UC4530A CHAIN SAW 450MM



Model No.UC4530A CHAIN SAW 450MM



Model No.UC4530A CHAIN SAW 450MM

Item No.	Parts No.	Description	Interchangability	Q'ty	New/Old	Note1	Note2
001	226743-8	STRAIGHT BEVEL GEAR 14		1			
002	419410-4	BAFFLE PLATE		1			
003	211111-8	BALL BEARING 6301LLB		1			
004	240001-8	FAN 80		1			
005	616969-4	ARMATURE 240V		1			
006	681666-1	INSULATION WASHER		1	*		
006-1	681666-1	INSULATION WASHER	O	1			
007	211057-8	BALL BEARING 629ZZ		1			
008	639530-0	FIELD 240V		1			
009	266095-5	TAPPING SCREW 5X55		2			
010	265995-6	TAPPING SCREW 4X18		1			
011	188818-0	HANDLE SET		1			
C10	810198-3	CAUTION LABEL		1			
D10		INC. 28					
012	654532-5	TERMINAL BLOCK 1P		1	*		
012-1	654475-1	TERMINAL BLOCK	<	1			
013	867116-2	UC4530A NAME PLATE		1			
014	650577-1	SWITCH SD-006-BB2AA-AA		1			
015	631719-6	CONTROLLER		1	*		
015-1	620M13-9	CONTROLLER	<	1			
016	682574-9	CORD GUARD 10-90		1			
017	665883-1	POWER SUPPLY CORD 1.0-2-5.0		1			
018	687124-5	STRAIN RELIEF		1			
019	265995-6	TAPPING SCREW 4X18		2			
020	416178-3	LOCK-OFF BUTTON		1			
021	233173-6	COMPRESSION SPRING 4		1			
022	419411-2	SWITCH LEVER		1			
023	645239-4	NOISE SUPPRESSOR		1			
024	651923-1	SWITCH TG70B		1			
025	643650-4	BRUSH HOLDER CAP 6.5-13.5		2	*		
025-1	643650-4	BRUSH HOLDER CAP 6.5-13.5	O	2			
026	181044-0	CARBON BRUSH CB-153		1	*		
026-1	194985-1	CARBON BRUSH SET CB-153	O	1			
027	154867-9	MOTOR HOUSING COMPLETE		1			
C10	643653-8	BRUSH HOLDER 6.5-13.5		2	*		
C11	643536-2	BRUSH HOLDER 6.5X13.5	<	2			
028	188818-0	HANDLE SET		1			
C10	810198-3	CAUTION LABEL		1			
D10		INC. 11					
029	265995-6	TAPPING SCREW 4X18		1			
030	265995-6	TAPPING SCREW 4X18		5			
032	154870-0	TANK CAP COMPLETE		1			
033	419412-0	GEAR HOUSING COVER		1			
034	140089-7	OIL PUMP COMPLETE		1	*		
034-1	142002-1	OIL PUMP COMPLETE	<	1			
035	213039-6	O RING 6		1			
036	421959-2	SPONGE SEAL		1			

037	419407-3	OIL TANK		1		
038	416274-7	CAP		1		
039	231975-4	SPRING		1		
040	421958-4	OIL TUBE		1		
041	419408-1	GEAR HOUSING		1		
042	419413-8	ROD		1		
043	233174-4	COMPRESSION SPRING 6		1		
044	451130-4	FRONT HAND GUARD		1		
045	158044-5	LINK PLATE COMPLETE		1		
046	234005-0	COMPRESSION SPRING 9		1		
047	213039-6	O RING 6		1		
048	211012-0	BALL BEARING 606ZZ		1		
049	450230-7	CRANK		1		
050	417405-1	CAM		1		
051	259034-2	RETAINING RING E TYPE 10		1		
052	266095-5	TAPPING SCREW 5X55		2	*	
052-1	266044-2	TAPPING SCREW 5X60	S	2		
053	266173-1	TAPPING SCREW 5X30		4		
054	226741-2	STRAIGHT BEVEL GEAR 43		1		
055	324662-3	SPINDLE		1		
056	211107-9	BALL BEARING 6201ZZ		1		
057	419409-9	FRONT HANDLE		1	*	
057-1	455487-5	FRONT HANDLE	S	1		
058	266173-1	TAPPING SCREW 5X30		2		
059	921452-1	HEX. BOLT M8X30		1		
060	318013-0	BEARING HOUSING		1		
063	345651-5	SPIKE BUMPER		1		
064	266173-1	TAPPING SCREW 5X30		2		
065	168426-3	BRAKE BAND		1		
066	267195-4	FLAT WASHER 4		1		
067	266026-4	TAPPING SCREW BIND CT 4X12		1		
068	125331-7	BRAKE DRUM ASSEMBLY		1	*	
068-1	123886-6	BRAKE DRUM ASSEMBLY	O	1	*	
068-2	125331-7	BRAKE DRUM ASSEMBLY	<	1		
069	253215-0	FLAT WASHER 8		1		
070	259033-4	RETAINING RING E TYPE 6		1		
071	266007-8	TAPPING SCREW BIND PT 3X10		1		
072	419241-1	COVER		1		
073	227496-2	STRAIGHT BEVEL GEAR 14		1		
074	227495-4	STRAIGHT BEVEL GEAR 14		1		
075	154869-5	SPROCKET COVER COMPLETE		1		
076	419233-0	DIAL 40		1		
077	253874-0	FLAT WASHER 4		1		
078	915106-0	BINDING HEAD SCREW M4X8		1		
079	233033-2	COMPRESSION SPRING 4		1		
080	216008-6	STEEL BALL 4		1		
081	154763-1	LEVER COMPLETE		1		
082	951122-8	SPRING PIN 4-28		1		
083	419271-2	CUP WASHER 20		1	*	
083-1	453061-3	CUP WASHER 20	O	1		
084	317977-5	LEVER HOLDER		1		
085	231025-5	COMPRESSION SPRING 8		1		

086	252168-0	HEX. NUT M8-13		1			
087	324621-7	ADJUST PIN		1			
088	324620-9	ADJUST SCREW		1			
089	188858-8	SPROCKET COVER SET		1	*		
D10		INC. 71-88					
089-1	187088-8	SPROCKET COVER SET	O	1			
D10		INC. 71-88					
090	188859-6	LEVER COMPLETE SET		1	*		
D10		INC. 81-84					
090-1	187089-6	LEVER COMPLETE SET	O	1			
D10		INC. 81-84					
091	188929-1	OIL PUMP COMPLETE SET		1	*		
D10		INC. 34,35,49					
091-1	187573-1	OIL PUMP COMPLETE SET	<	1			
D10		INC. 34,35,49					
A01	419560-5	CHAIN PROTECTION COVER 430		1			
A02	158024-1	HOOK COMPLETE		1			
A03	165390-9	GUIDE BAR 18		1	*		
A03-1	165390-9	GUIDE BAR 18	O	1	*		
A03-2	165390-9	GUIDE BAR 18	O	1			
A04	837010-2	OIL ABSORBENT SHEET		1			
A05	528092662	SAW CHAIN 18"		1			

Please state Parts No. when your order.

Print Date 26/10/2023