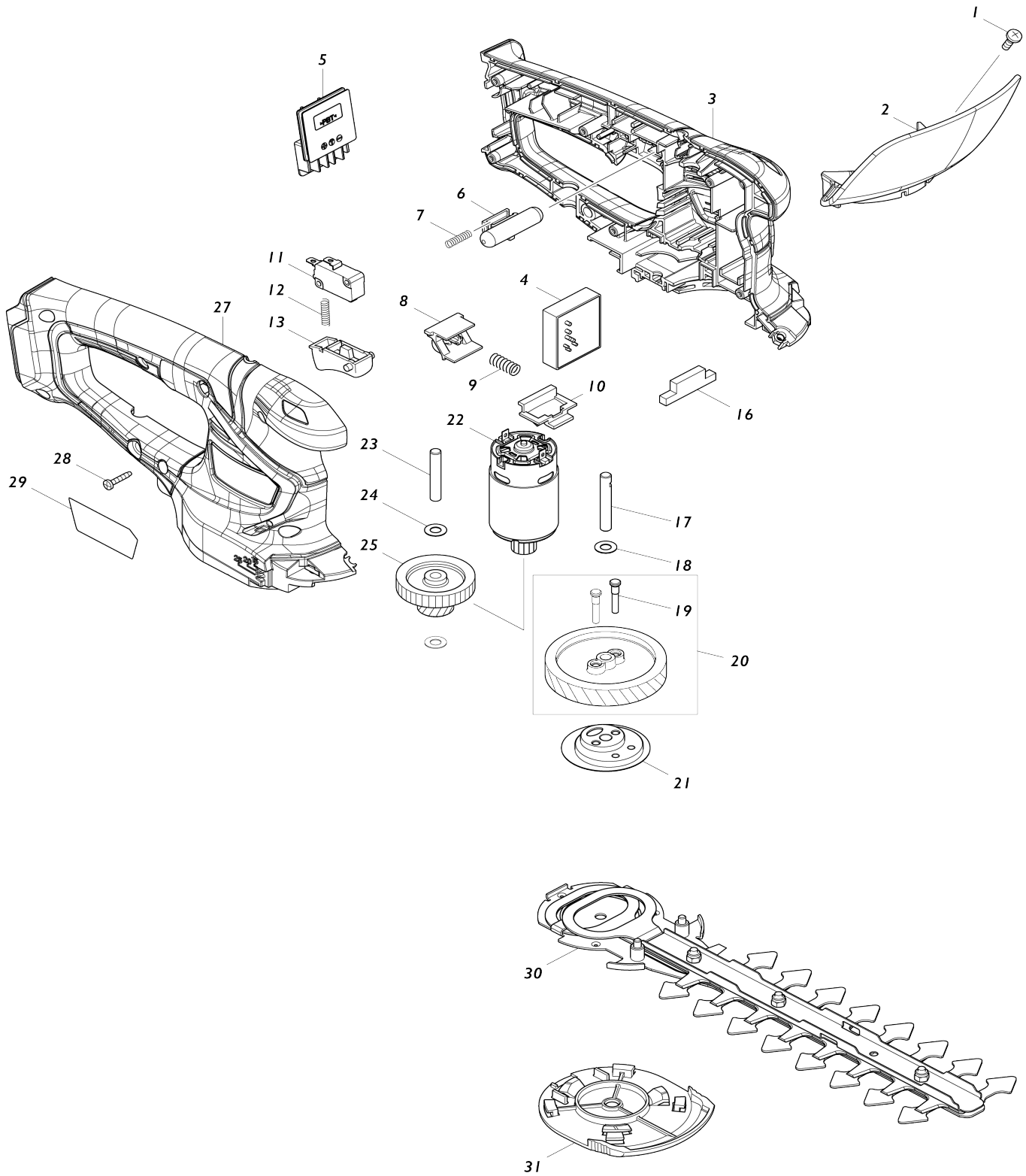


Model No.UH201D 200MM CORDLESS HEDGE TRIMMER



Model No.UH201D 200MM CORDLESS HEDGE TRIMMER

Item No.	Parts No.	Description	Interchangeability	Q'ty	New/Old	Note1	Note2
001	915116-7	BINDING HEAD SCREW M4X12		1			
002	144342-3	PROTECTOR COMPLETE		1	*		
C10	819948-3	CAUTION LABEL		1	*		
002-1	140V97-0	PROTECTOR COMPLETE	<	1	*		
C10	819948-3	CAUTION LABEL		1	*		
002-2	1410D3-4	PROTECTOR COMPLETE	O	1			
C12	8072W3-6	CAUTION LABEL	O	1			
003	183G04-0	HOUSING SET		1	*		
C10	931102-0	HEX. NUT M4		1	*		
C20	263002-9	RUBBER PIN 4		2	*		
C30	346275-0	PLATE		2	*		
D10		INC. 27					
003-1	183U51-5	HOUSING SET	S	1			
C10	931102-0	HEX. NUT M4		1			
C20	263002-9	RUBBER PIN 4		2			
C30	346275-0	PLATE		2			
D10		INC. 27					
004	632K11-9	CONTROLLER UNIT		1	*		
C10	688131-1	LINE FILTER		2	*		
004-1	632R78-9	CONTROLLER UNIT	<	1			
C10	688131-1	LINE FILTER		2	*		
C20	654086-2	RECEPTACLE		2			
005	644813-5	TERMINAL		1			
006	452438-9	LOCK OFF BUTTON		1	*		
006-1	413A16-6	LOCK OFF BUTTON	S	1			
007	231473-8	COMPRESSION SPRING 4		1			
008	457534-8	SLIDE PLATE		1			
009	234339-1	COMPRESSION SPRING 6		1			
010	454879-5	LOCK LEVER		1			
011	650744-8	SWITCH D3V-16-3C26		1			
012	231473-8	COMPRESSION SPRING 4		1			
013	417564-1	SWITCH LEVER		1			
016	451814-4	DUST GUARD		1			
017	268254-7	PIN 6		1			
018	253715-0	FLAT WASHER 6		1			
019	268256-3	PIN 4		2			
020	135883-0	HELICAL GEAR 47 ASS'Y		1			
D10		INC. 19					
021	161598-3	CRANK COMPLETE		1			
022	629258-8	DC MOTOR		1			
023	268076-5	PIN 6		1			
024	253715-0	FLAT WASHER 6		2			
025	226831-1	GEAR 12-31		1			
027	183G04-0	HOUSING SET		1	*		
C10	931102-0	HEX. NUT M4		1	*		
C20	263002-9	RUBBER PIN 4		2	*		
C30	346275-0	PLATE		2	*		

D10		INC. 3				
027-1	183U51-5	HOUSING SET	S	1		
C10	931102-0	HEX. NUT M4		1		
C20	263002-9	RUBBER PIN 4		2		
C30	346275-0	PLATE		2		
D10		INC. 3				
028	266429-2	TAPPING SCREW 3X16		6		
029	853F87-5	UH201D NAME PLATE		1	*	
029-1	852Y66-4	UH201D NAME PLATE	<	1		
030	198408-1	SHEAR BLADE ASSEMBLY 200 S SET		1		
C10	188369-3	OIL VESSEL SET		1		
031	140451-6	UNDER COVER COMPLETE		1		
A01	198401-5	CHIP RECEIVER SET		1		
A02	451816-0	BLADE COVER		1	*	
A02-1	458342-0	BLADE COVER	O	1		
A03	456128-6	BATTERY COVER		1		
A04	***DC10WC	DC10WC BATTERY CHARGER		1	*	
D10		COMPO-PARTS				
A04-1	***DC10WD	DC10WD BATTERY CHARGER	<	1		
D10		COMPO-PARTS				
A05	197394-3	BATTERY BL1020B SET		1	*	
A05-1	197396-9	BATTERY BL1021B SET	<	1	*	
A05-2	197396-9	BATTERY BL1021B SET	O	1		
A06	195267-4	SHEAR BLADE ASSEMBLY SET		1	*	
A06-1	195267-4	SHEAR BLADE ASSEMBLY SET	O	1		
A07	452055-5	BLADE COVER		1		
A08	452198-3	STORAGE CASE		1		
A09	457426-1	GRASS RECEIVER 160		1		
B01	198412-0	GRASS RECEIVER 160 SET		1		
D10		INC. A07-A09				
E01	812D57-1	SOUND 83DB LABEL		1		
F02-1	195267-4	SHEAR BLADE ASSEMBLY SET	O	1		
F07	198401-5	CHIP RECEIVER SET		1		
F09	198408-1	SHEAR BLADE ASSEMBLY 200 S SET		1		
F12	198412-0	GRASS RECEIVER 160 SET		1		
F14	198968-3	BATTERY BL1016 SET		1	*	
F15	198969-1	BATTERY BL1016 SET (2PIECES)		1	*	
F16-1	198970-6	BATTERY BL1021B SET (2PIECES)	O	1	*	
F17-1	199002-2	BATTERY BL1041B SET (2PIECES)	O	1	*	

Please state Parts No. when your order.

Print Date 02/19/2024