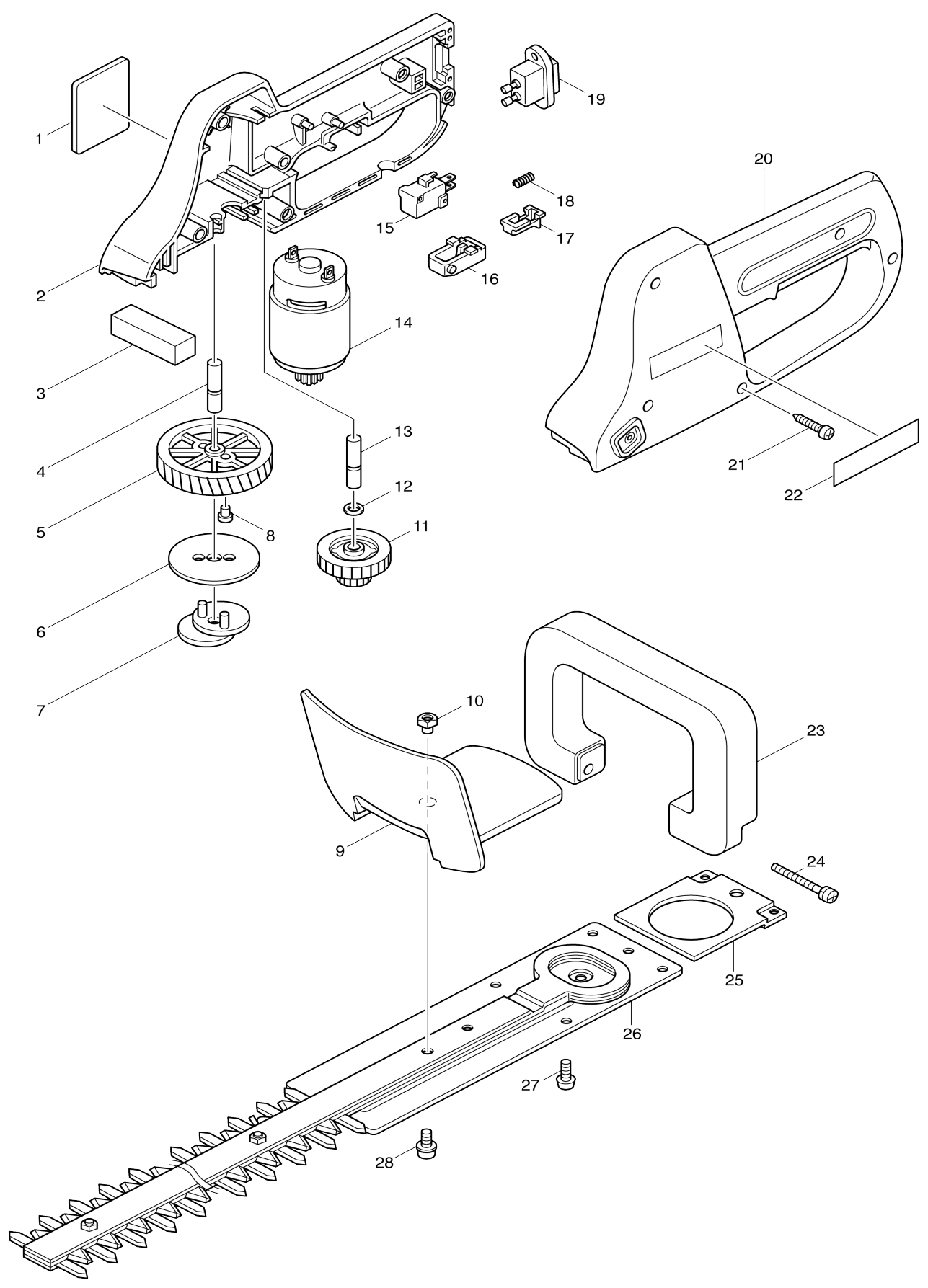


Model No.UH303D CORDLESS HEDGE TRIMMER



Model No.UH303D CORDLESS HEDGE TRIMMER

Item No.	Parts No.	Description	Interchangability	Q'ty	New/Old	Note1	Note2
001	857620-9	Name plate UH303D		1			
002	182683-9	Housing set (blue)		1			
D10		INC. 20					
003	423134-6	Sponge seal		1			
004	321902-0	SHAFT		1			
005	226436-7	Helical gear 52		1			
006	342819-4	Plate		1			
007	164916-4	CRANK		1			
008	262531-9	Urethane sleeve 4		2			
009	414520-2	GUARD		1			
010	252110-1	HEX. NUT M4-10		1			
011	226807-8	Gear 14-34		1			
012	253077-6	FLAT WASHER 6		1			
013	321902-0	SHAFT		1			
014	629669-7	DC motor		1			
C10	221922-3	Spur gear 9		1			
015	651852-8	SWITCH V-15-1A5		1			
016	410817-7	SWITCH LEVER		1			
017	414169-8	LOCK-OFF LEVER		1			
018	231390-2	COMPRESSION SPRING 3		1			
019	655409-7	Inlet		1			
020	182683-9	Housing set (blue)		1			
D10		INC. 2					
021	265874-8	TAPPING SCREW BT 4X20		5			
022	819063-3	MAKITA LABEL		1			
023	192450-4	Grip set 20		1			
D10		INC. 24					
024-1	911258-5	PAN HEAD SCREW M5X35		2			
025	344146-5	SPACER		1			
026B_	122490-8	Shear blade assembly		1			
027	251307-9	Pan head screw M4X15		4			
028	251329-9	Pan head screw M4X10		1			
A01	414428-0	Blade cover		1			

Please state Parts No. when your order.

Print Date 23/10/2023