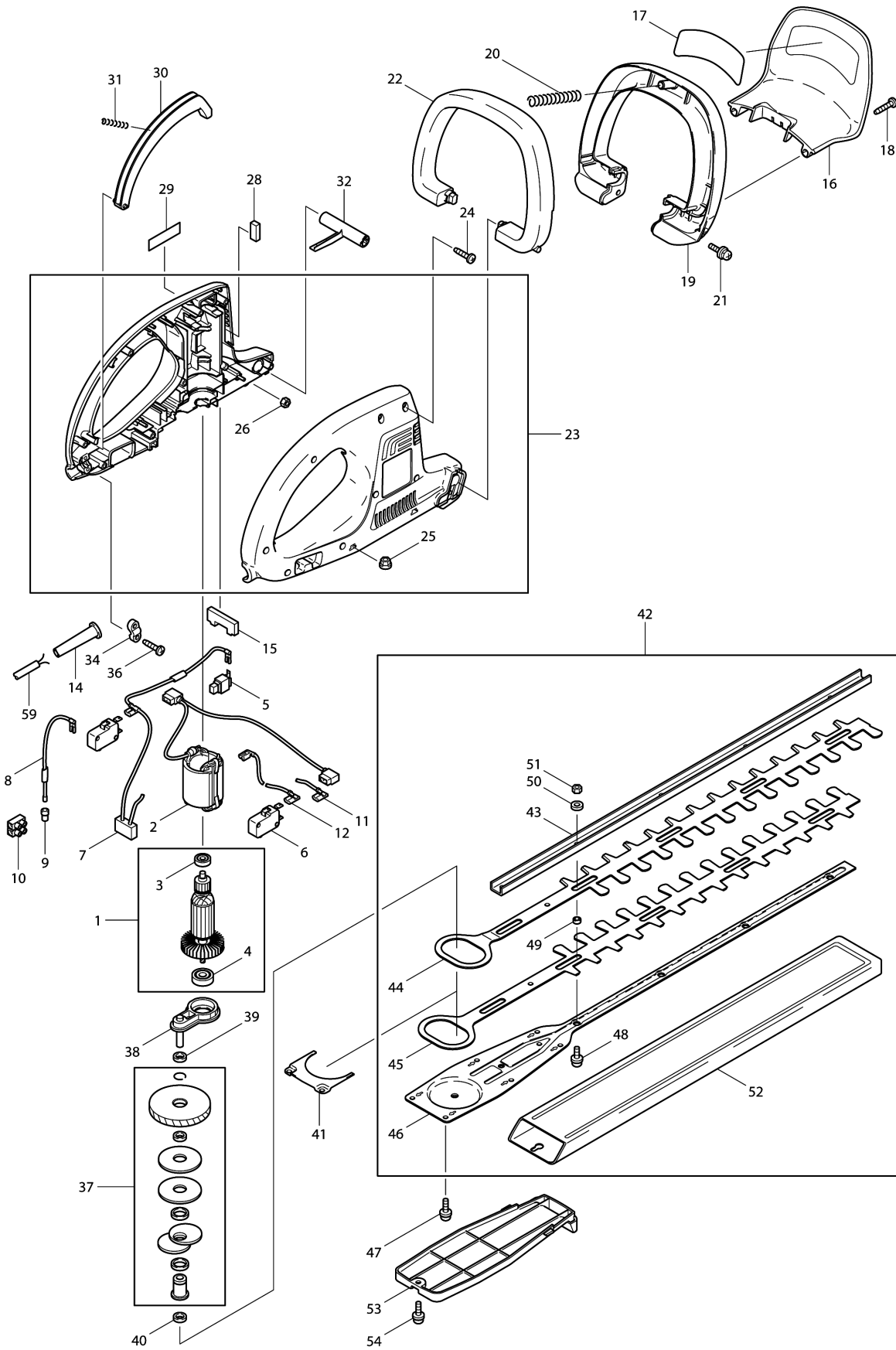


Model No.UH4050 HEDGE TRIMMER 400MM



Model No.UH4050 HEDGE TRIMMER 400MM

Item	Parts No.	Description	I/C	Qty	New/Old	Opt. 1	Opt. 2	Note
001	970801830	ARMATURE ASS'Y 230-240V		1				
D10		INC. 3,4						
002	970801230	FIELD ASS'Y 230-240V		1				
003	960101074	BALL BEARING		1	*			
003-1	211027-7	BALL BEARING 627ZZ	O	1				
004	960101104	BALL BEARING 6000ZZ		1	*			
004-1	211062-5	BALL BEARING 6000ZZ	O	1				
005	957801410	CARBON BRUSH		2				
006	970001210	SWITCH		2	*			
006-1	970001210	SWITCH	O	2	*			
006-2	651948-5	SWITCH	O	2				
007	970800410	CARBON BRUSH CPL.		1				
008	970800631	REACTANCE COIL B		1				
009	970201170	ENDCONNECTOR		1				
010	970201220	SCREW WIRE CONNECTOR		1	*			
010-1	654531-7	TERMINAL BLOCK 2P	O	1				
011	970311250	CONNECTING CABLE		1	*			
011-1	632666-4	LEAD WIRE UNIT	O	1				
012	970311280	CONNECTING CABLE		1	*			
012-1	632667-2	LEAD WIRE UNIT	O	1				
014	204152010	CORD GUARD		1				
015	222111030	GASKET		1	*			
015-1	443113-8	DUST GUARD	O	1				
016	221213111	HAND GUARD		1	*			
016-1	150638-2	PROTECTOR COMPLETE	O	1				
017	980114292	CAUTION LABEL		1				
018	913540205	SCREW M4X20		2				
019	221310111	TUBULAR HANDLE		1	*			
019-1	416101-8	GRIP	O	1				
020	221145110	PURESSURE SPRING		1	*			
020-1	233157-4	COMPRESSION SPRING 9	O	1				
021	917005250	SCREW M5X25		2	*			
021-1	911243-8	PAN HEAD SCREW M5X25	O	2				
022	221144110	FRONT GRIP SWITCH		1	*			
022-1	416099-9	SWITCH LEVER B	O	1				
023	222110610	CASE,CPL.,BLUE		1				
D10		INC. 25,26						
024	913540205	SCREW M4X20		9				
025	222111050	HEXAGONAL NUT M5		6				
026	920205000	HEX. NUT M5		2				
028	222111040	DUST PROTECTION		1	*			
028-1	443114-6	FELT 5X12	O	1				
029	980114296	LABEL		1	*			
029-1	819063-3	MAKITA LABEL	O	1				
030	221144120	REAR GRIP SWITCH		1	*			

Please order the parts with part number.

Print Date 25/10/2023

Model No.UH4050 HEDGE TRIMMER 400MM

Item	Parts No.	Description	I/C	Qty	New/Old	Opt. 1	Opt. 2	Note
030-1	416098-1	SWITCH LEVER A	O	1				
031	221145120	PRESSURE SPRING		1	*			
031-1	233156-6	COMPRESSION SPRING 5	O	1				
032	222144130	SWITCH FOLK		1	*			
032-1	417642-7	LEVER	O	1				
034	203152050	TRACTION RELIEF		1				
036	915635164	SELF-CUTTING SCREW M3.5X16		2	*			
036-1	266101-6	TAPPING SCREW BIND PT3.5X16	O	2				
037	221220011	GEAR ASSEMBLY		1				
038	222211010	GEAR PLATE WITH AXLE		1				
039	221229180	WASHER		1				
040	221229180	WASHER		1				
041	222233610	PLATE		1	*			
041-1	344932-4	SPACER	O	1				
042	222230610	SHEAR BLADE ASSY 40CM		1				
D10		INC. 43-46,48-52						
043	222233410	BAR 40CM		1				
044	222233210	SHEAR PLATE A 40CM		1				
045	222233310	SHEAR PLATE B 40CM		1				
046	222233510	GUIDE PLATE 40CM		1				
047	222233170	SCREW M5X18		6	*			
047-1	265088-9	PAN HEAD SCREW M5X18	O	6				
048	222233160	SCREW M5X16		5	*			
048-1	911223-4	PAN HEAD SCREW M5X16	O	5				
049	222233150	DISTANCE PLATE		5	*			
049-1	257703-9	SLEEVE 5	O	5				
050	924405520	WASHER		5				
051	221233170	HEXAGONAL NUT M5		5	*			
051-1	252103-8	HEX. LOCK NUT M5-8	O	5				
052	220233610	SHEATH 40-48CM		1				
059	970102200	CABLE WITH PLUG		1				

Please order the parts with part number.

Print Date 25/10/2023