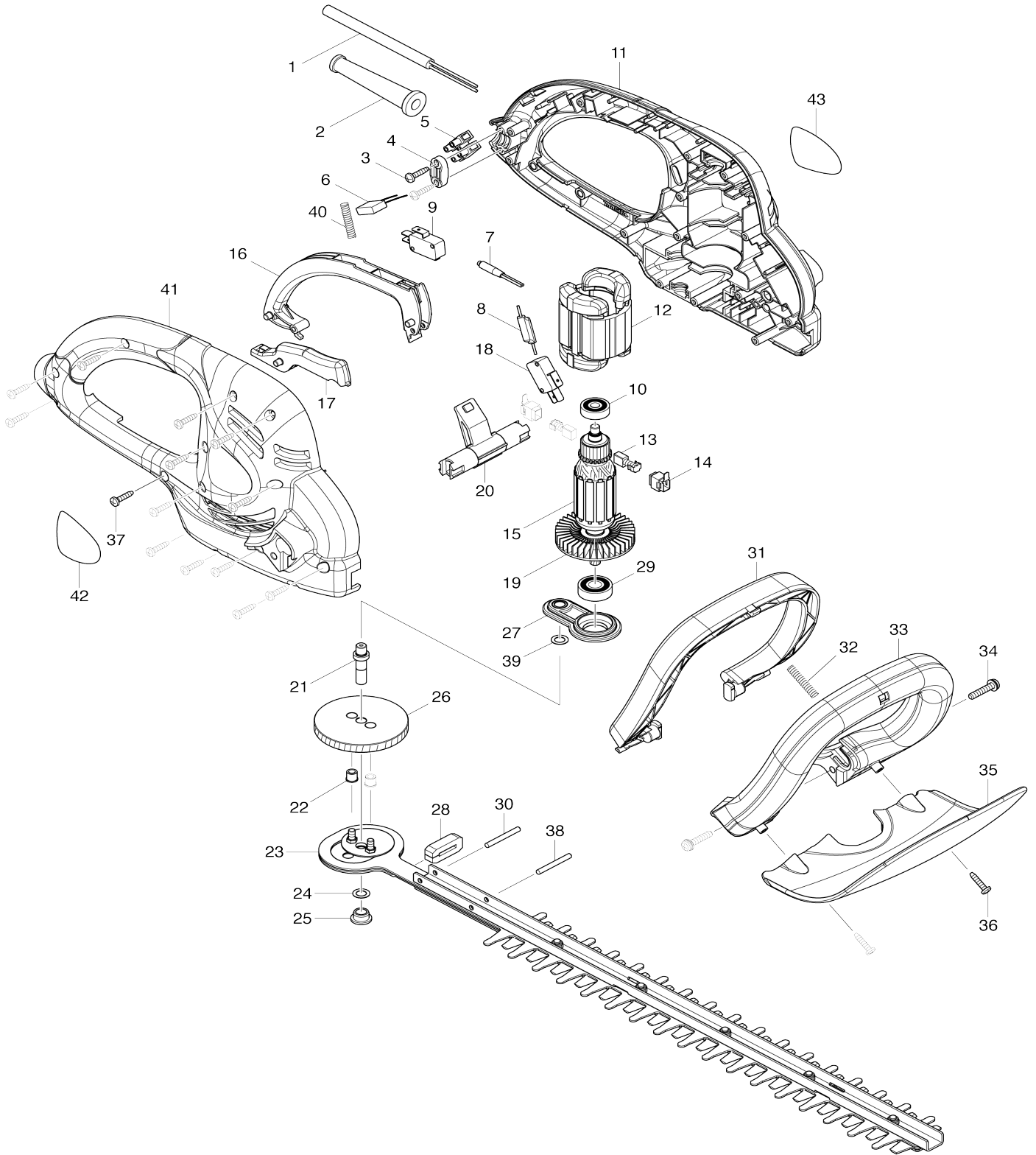


# Model No.UH4261 420MM HEDGE TRIMMER



Model No.UH4261 420MM HEDGE TRIMMER

Item No.	Parts No.	Description	Interchangability	Q'ty	New/Old	Note1	Note2
D10		COMPO-PARTS					
A05	197280-8	BATTERY BL1850B SET		2			
D10		COMPO-PARTS					
A05	197280-8	BATTERY BL1850B SET		2			
001	665877-6	POWER SUPPLY CORD 1.0-2-0.3		1	*		
001-1	665877-6	POWER SUPPLY CORD 1.0-2-0.3	S	1			
002	682516-3	CORD GUARD 9.3-85		1			
003	266326-2	TAPPING SCREW 4X18		2			
004	687124-5	STRAIN RELIEF		1			
005	654531-7	TERMINAL BLOCK 2P		1			
006	645200-1	NOISE SUPPRESSOR		1	*		
006-1	645089-7	NOISE SUPPRESSOR	<	1			
007	646056-5	CHOKE COIL		1	*		
007-1	646153-7	CHOKE COIL	<	1			
008	646090-5	CHOKE COIL		1			
009	650642-6	SWITCH		1			
010	210030-5	BALL BEARING 627ZZ		1			
011	187052-9	HOUSING SET		1	*		
C10	931202-6	HEX. NUT M5		2	*		
D10		INC. 41,43					
011-1	183509-2	HOUSING SET	<	1			
C10	931202-6	HEX. NUT M5		2			
D10		INC. 41,43					
012	621753-4	FIELD 220-240V		1			
013	191962-4	CARBON BRUSH CB-419		1			
014	643923-5	BRUSH HOLDER		2			
015	515824-6	ARMATURE ASS'Y 240V		1			
D10		INC. 10,19,29					
016	452677-1	SWITCH LEVER A		1			
017	452680-2	SWITCH LEVER C		1			
018	650642-6	SWITCH		1			
019	241850-6	FAN 60		1			
020	452681-0	SWITCH ARM		1			
021	326034-8	SPINDLE		1			
022	262570-9	NYLON SLEEVE 5		2			
023	140826-9	SHEAR BLADE COMPLETE		1			
024	253777-8	FLAT WASHER 8		1			
025	214064-0	PLANE BEARING 8		1			
026	227745-7	HELICAL GEAR 67		1	*		
026-1	227745-7	HELICAL GEAR 67	O	1			
027	140828-5	BEARING BOX COMPLETE		1			
028	423417-4	DUST GUARD		1			
029	211062-5	BALL BEARING 6000ZZ		1			
030	268136-3	PIN 4		1			
031	452678-9	SWITCH LEVER B		1			
032	233156-6	COMPRESSION SPRING 5		1			
033	452682-8	FRONT GRIP		1			

034	911243-8	PAN HEAD SCREW M5X25		2			
035	140829-3	PROTECTOR COMPLETE		1	*		
035-1	1410D4-2	PROTECTOR COMPLETE	O	1			
C10	8074L2-3	CAUTION LABEL		1			
036	266326-2	TAPPING SCREW 4X18		2			
037	266326-2	TAPPING SCREW 4X18		14			
038	268136-3	PIN 4		1			
039	253777-8	FLAT WASHER 8		1			
040	233156-6	COMPRESSION SPRING 5		1			
041	187052-9	HOUSING SET		1	*		
C10	931202-6	HEX. NUT M5		2	*		
D10		INC. 11,43					
041-1	183509-2	HOUSING SET	<	1			
C10	931202-6	HEX. NUT M5		2			
D10		INC. 11,43					
042	869243-1	UH4261 NAME PLATE		1			
043	892589-0	MAKITA LOGO LABEL		1			
044	645277-6	CAPACITOR		1			
A01	194677-2	CORD HOLDER COMPLETE SET		1			
A02	158024-1	HOOK COMPLETE		1			
A03	452683-6	BLADE COVER		1			
E03	688131-1	LINE FILTER	S	1	*		
E03-1	688131-1	LINE FILTER	O	1			
F03	195050-9	CHIP RECEIVER ASSEMBLY SET		1			

Please state Parts No. when your order.

Print Date 03/01/2024