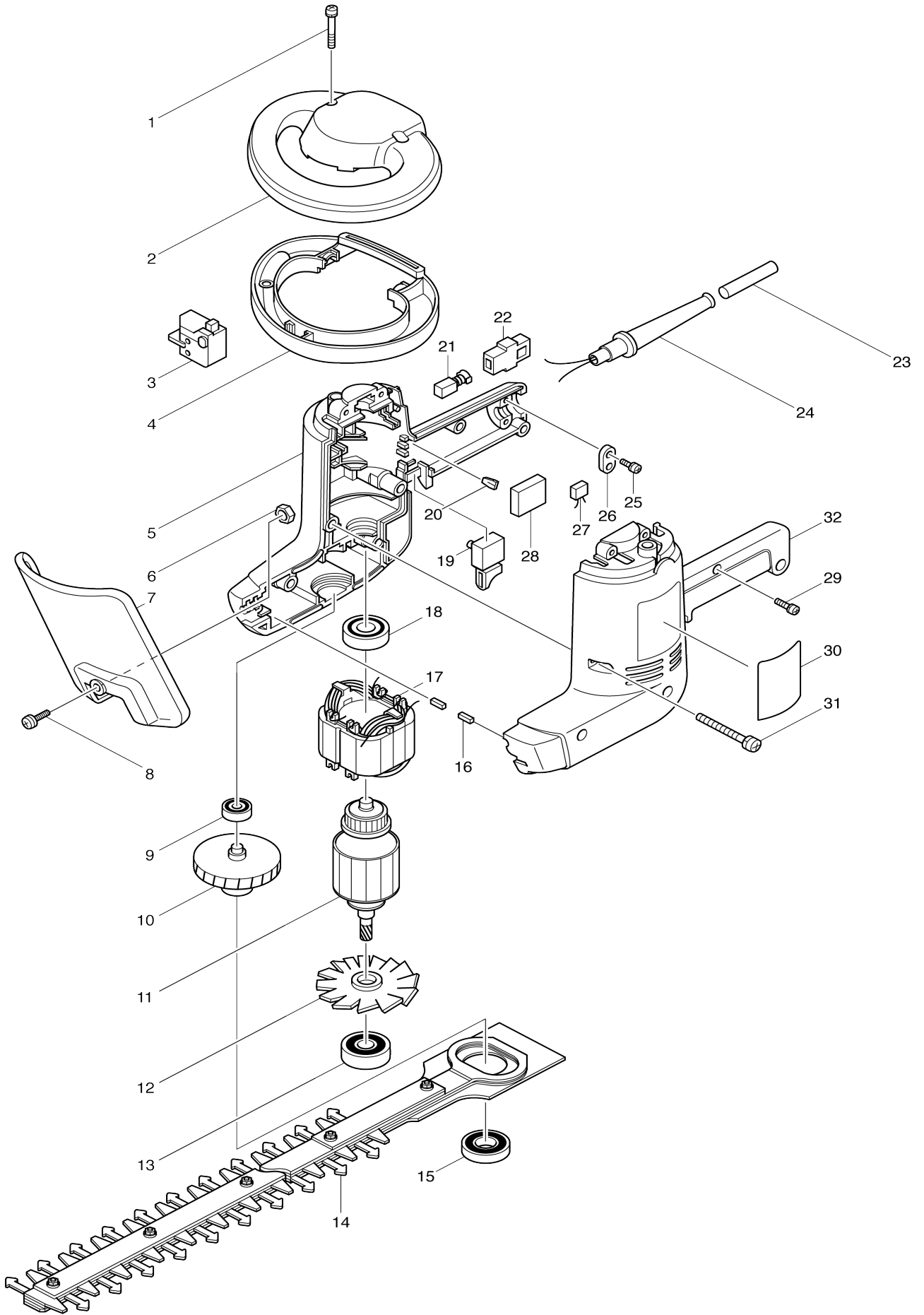


# Model No.UH4500 HEDGE TRIMMER 450MM



Model No.UH4500 HEDGE TRIMMER 450MM

Item No.	Parts No.	Description	Interchangability	Q'ty	New/Old	Note1	Note2
001	911248-8	PAN HEAD SCREW M5X28		2			
002	410146-8	HANDLE		1			
003	651834-0	SWITCH SP115C		1			
004-1	410538-1	SWITCH LEVER		1			
005-2	182179-0	HOUSING SET		1			
C10	263002-9	RUBBER PIN 4		4			
D10		INC. 32					
006	931202-6	HEX. NUT M5		1			
007	410147-6	PROTECTOR		1			
008	911233-1	PAN HEAD SCREW M5X20		1			
009	211034-0	BALL BEARING 608		1			
010-1	153187-8	GEAR SHAFT COMPLETE		1			
C10	221770-0	HELICAL GEAR 65		1			
011C1	512993-4	ARMATURE ASS'Y 220V		1			
D10		INC. 12,13,18					
012-2	241517-6	FAN 70		1			
013-1	211053-6	BALL BEARING 609LB		1			
014-1	122261-3	SHEAR BLADE ASS'Y		1			
C21	911226-8	PAN HEAD SCREW M5X18		5			
C31	252103-8	HEX. LOCK NUT M5-8		5			
C40	941101-4	FLAT WASHER 5		5			
015	211203-3	BALL BEARING 6002LB		1			
016	423093-4	SEAL		2			
017C1	594053-4	FIELD ASS'Y 220V		1			
C10	654038-3	INSULATED TERMINAL FT1.25-M4		2	*		
C11	654037-5	INSULATED TERM. FT1.25-M3	O	2	*		
018	211033-2	BALL BEARING 608LB		1			
019D_	651236-0	SWITCH C2M-M1T		1			
020	423096-8	SPONGE SEAL		1			
021	181026-2	CARBON BRUSH CB-55		1	*		
021-1	194964-9	CARBON BRUSH SET CB-55	O	1			
022	643551-6	BRUSH HOLDER 5-8		2			
023Q_	665500-3	POWER SUPPLY CORD 1.00-2-0.4		1			
024	682504-0	CORD GUARD 10-85		1			
025-1	911133-5	PAN HEAD SCREW M4X18		2			
026B1	687001-1	STRAIN RELIEF		1			
027B_	645208-5	NOISE SUPPRESSOR		1			
028	685700-9	SPONGE SHEET		1			
029	911138-5	P.H.SCREW M4X20 WITH WR		1			
030	854846-4	NAME PLATE UH4500		1			
031	911258-5	PAN HEAD SCREW M5X35		4			
032-2	182179-0	HOUSING SET		1			
C10	263002-9	RUBBER PIN 4		4			
D10		INC. 5					
901	158024-1	HOOK COMPLETE		1			

Please state Parts No. when your order.

Print Date 25/10/2023