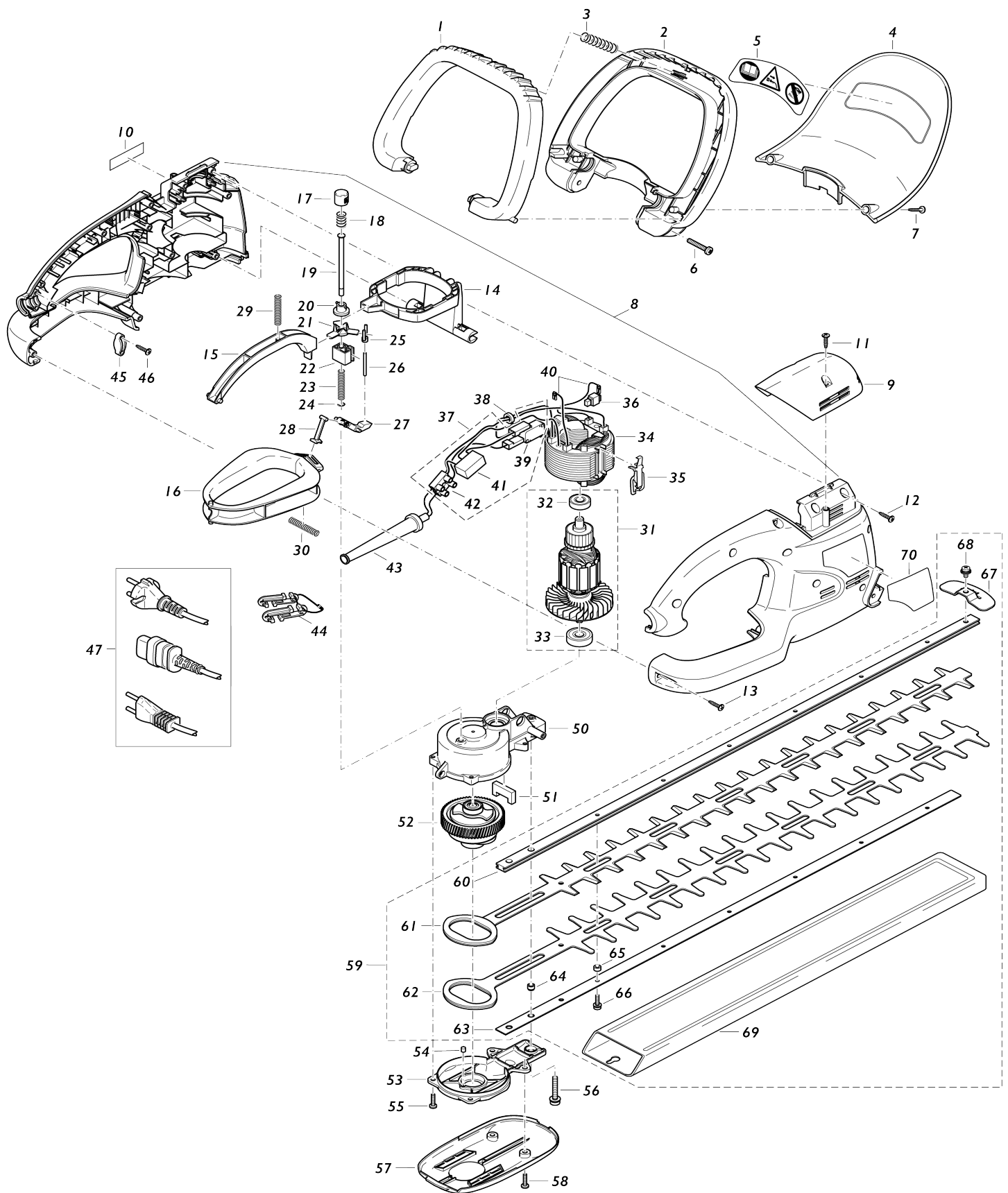


Model No.UH4540 HEDGE TRIMMER 450MM



Model No.UH4540 HEDGE TRIMMER 450MM

Item No.	Parts No.	Description	Interchangeability	Q'ty	New/Old	Note1	Note2
001	223144110	SWITCH LEVER B		1			
002	223310110	TUBULAR HANDLE		1			
003	221145110	PURESSURE SPRING		1	*		
003-1	233157-4	COMPRESSION SPRING 9	O	1			
004	223213150	HAND GUARD		1			
005	980114292	CAUTION LABEL		1			
006	913250304	SCREW M5X30		2			
007	913540185	SCREW 4X18		2			
008	223110610	HOUSING CPL.		1			
009	223111050	HOUSING TOP COVER		1			
010	980114832	MAKITA LABEL		1			
011	913540185	SCREW 4X18		2			
012	913540185	SCREW 4X18		2			
013	913540185	SCREW 4X18		9			
014	223144130	SWITCH FORK		1	*		
014-1	417738-4	Lever	O	1			
015	223144120	SWITCH LEVER A		1			
016	223144140	SWITCH LEVER C		1	*		
016-1	417731-8	SWITCH LEVER C	O	1			
017	223144030	CAP		1	*		
017-1	417740-7	INSULATION CAP	O	1			
018	223145010	PRESSURE SPRING		1			
019	223144010	SWITCH ROD		1			
020	223144040	CAP HOLDER		1	*		
020-1	417727-9	CAP HOLDER	O	1			
021	223144150	LIFTER		1	*		
021-1	417736-8	LIFTER	O	1			
022	223144050	PIN HOLDER		1	*		
022-1	417781-3	PIN HOLDER	O	1			
023	221145120	PRESSURE SPRING		1	*		
023-1	233156-6	COMPRESSION SPRING 5	O	1			
024	927304000	STOP RING E-4		1	*		
024-1	257934-0	STOP RING E-4	O	1			
025	223144170	PUSHER CAP		1	*		
025-1	417735-0	PUSHER CAP	O	1			
026	223229090	PIN 3		1			
027	223144180	LINK		1	*		
027-1	417737-6	LINK	O	1			
028	223144160	ROD		1	*		
028-1	417739-2	ROD	O	1			
029	221145120	PRESSURE SPRING		1	*		
029-1	233156-6	COMPRESSION SPRING 5	O	1			
030	221145120	PRESSURE SPRING		1	*		
030-1	233156-6	COMPRESSION SPRING 5	O	1			
031	970804830	ROTOR CPL.		1			
D10		INC. 32,33					
032	960101084	BALL BEARING 608ZZ		1			

033	960101104	BALL BEARING 6000ZZ		1	*		
033-1	211062-5	BALL BEARING 6000ZZ	O	1			
034	970804230	STATOR CPL. 230/240V		1			
035	970804010	CLAMP		2			
036	223804410	CARBON BRUSH CPL.(2PCS.)		2			
037	223970010	CABLE HARNESS		1			
D10		INC. 39,41,42					
038	970804610	LINE FILTER		1			
039	970001230	SWITCH		1			
040	970311670	CONNECTING CABLE		2			
041	970109830	CAPACITOR		1			
042	970201220	SCREW WIRE CONNECTOR		1	*		
042-1	654531-7	TERMINAL BLOCK 2P	O	1			
043	223152010	BREAK PROTECTION		1			
044	970102050	TRACTION RELIEF		1	*		
044-1	158024-1	HOOK COMPLETE	O	1			
045	225152050	TRACTIN RELIEF,YELLOW		1			
046	913540185	SCREW 4X18		2			
047	970102200	CABLE WITH PLUG		1			
050	223211150	GEAR HOUSING		1			
051	223211040	DUST GUARD		1			
052	223220100	GEAR CPL.		1			
053	223211160	GEAR HOUSING COVER		1			
054	223111080	RUBBER PIN		1			
055	904904164	SCREW M4X16		2			
056	917105250	SCREW M5X25		2			
057	223111040	UNDER COVER		1			
058	904904164	SCREW M4X16		2			
059	223230610	SHEAR BLADE CPL.45CM		1			
D10		INC. 60-68					
060	223233110	MOUNTING BAR 45CM		1			
061	223233210	SHEAR PLATE A 45CM		1			
062	223233310	SHEAR PLATE B 45CM		1			
063	223233410	PRESSURE PLATE 45CM		1			
064	223233030	SLEEVE 5		2			
065	223233020	SLEEVE 4		4			
066	223233160	PAN HEAD SCREW M4X16		4			
067	223233170	GUARD		1			
068	223233090	PAN HEAD SCREW M5X10		1			
069	220233610	SHEATH 40-48CM		1			
070	980114857	LABEL UH4540		1			

Please state Parts No. when your order.

Print Date 25/10/2023