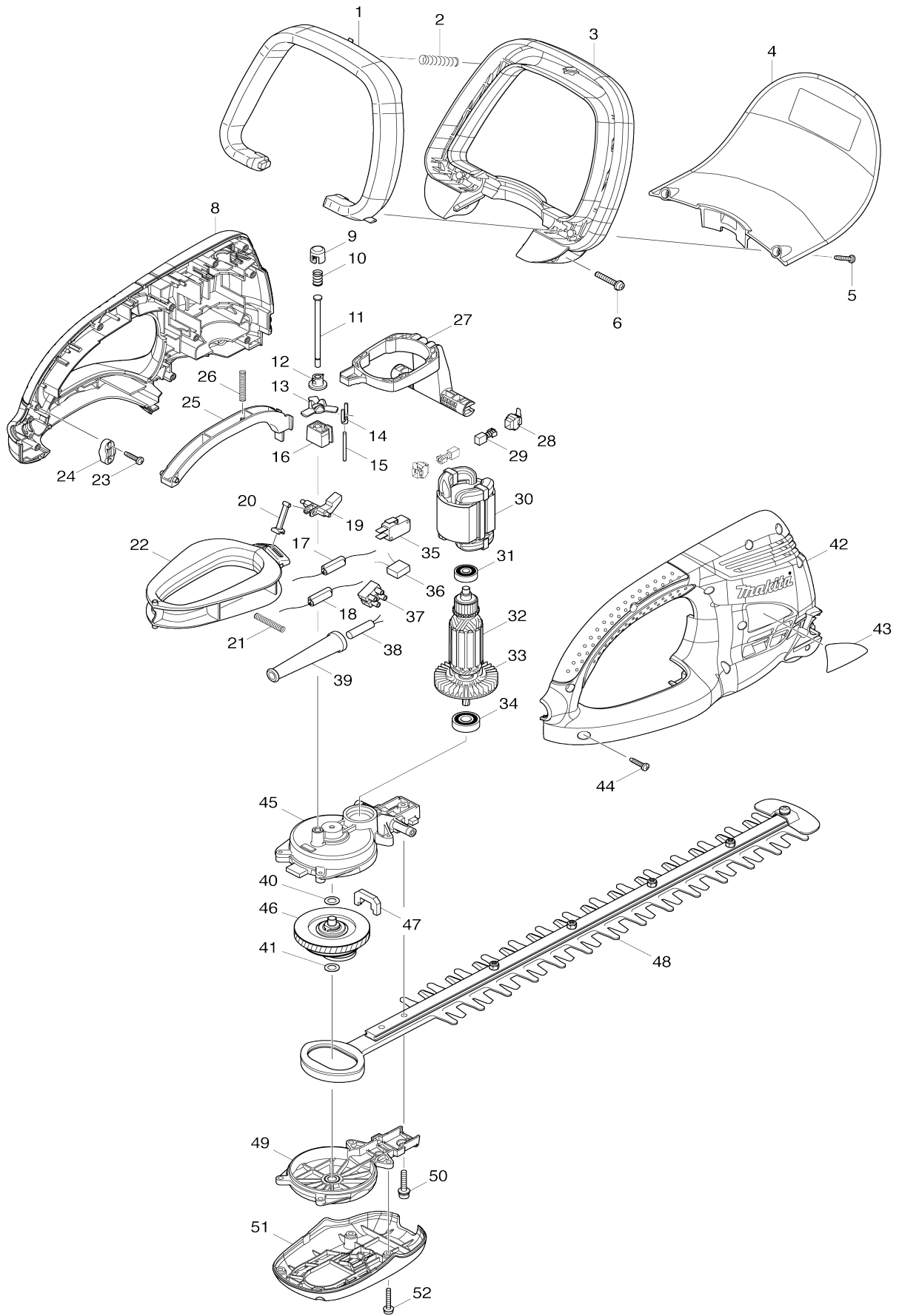


Model No.UH4570 HEDGE TRIMMER 450MM



Model No.UH4570 HEDGE TRIMMER 450MM

Item No.	Parts No.	Description	Interchangability	Q'ty	New/Old	Note1	Note2
D10		COMPO-PARTS					
A05	197280-8	BATTERY BL1850B SET		2			
D10		COMPO-PARTS					
A05	197280-8	BATTERY BL1850B SET		2			
001	450444-8	SWITCH LEVER B		1			
002	233157-4	COMPRESSION SPRING 9		1			
003	450442-2	FRONT GRIP		1			
004	158629-7	PROTECTOR COMPLETE		1	*		
004-1	141J42-6	PROTECTOR COMPLETE	<	1			
005	265995-6	TAPPING SCREW 4X18		2			
006	911253-5	PAN HEAD SCREW M5X30		2			
008	188567-9	HOUSING SET		1			
D10		INC. 42					
009	417740-7	INSULATION CAP		1			
010	233288-9	COMPRESSION SPRING 8		1			
011	268077-3	PIN 5		1			
012	417727-9	CAP HOLDER		1			
013	417736-8	LIFTER		1			
014	417735-0	PUSHER CAP		1			
015	268237-7	ROD 3		1			
016	417781-3	PIN HOLDER		1			
017	646206-2	CHOKE COIL		1			
018	646207-0	CHOKE COIL		1			
019	417737-6	LINK		1			
020	417739-2	ROD		1			
021	233156-6	COMPRESSION SPRING 5		1			
022	417731-8	SWITCH LEVER C		1			
023	265995-6	TAPPING SCREW 4X18		2			
024	687063-9	CORD CLAMP		1			
025	450443-0	SWITCH LEVER A		1			
026	233156-6	COMPRESSION SPRING 5		1			
027	450488-8	LEVER		1			
028	643936-6	BRUSH HOLDER		2			
029	191962-4	CARBON BRUSH CB-419		1			
030	621733-0	FIELD 220-240V		1			
031	211027-7	BALL BEARING 627ZZ		1			
032	515738-9	ARMATURE ASS'Y 220-240V		1			
D10		INC. 31,33,34					
033	241850-6	FAN 60		1			
034	211062-5	BALL BEARING 6000ZZ		1			
035	650608-6	SWITCH D3B6-V1AA		1	*		
035-1	650628-0	SWITCH 1005.1004	<	1			
036	645190-8	NOISE SUPPRESSOR		1			
037	654531-7	TERMINAL BLOCK 2P		1			
038	666246-4	POWER SUPPLY CORD 1.5-2-0.3		1			
039	682503-2	CORD GUARD 8-90		1			
040	253215-0	FLAT WASHER 8		1			

041	253215-0	FLAT WASHER 8		1		
042	188567-9	HOUSING SET		1		
D10		INC. 8				
043	865772-2	UH4570 NAME PLATE		1		
044	265995-6	TAPPING SCREW 4X18		10		
045	158625-5	GEAR HOUSING COMPLETE		1		
046	158623-9	GEAR COMPLETE		1		
047	443142-1	DUST GUARD		1		
048	194660-9	SHEAR BLADE ASS'Y SET		1		
C10	264013-7	HEX. LOCK NUT M5-8		4		
C20	345205-8	BRANCH CATCHER		1		
C30	911208-0	PAN HEAD SCREW M5X10		1		
C40	257766-5	SLEEVE 5		6		
C50	265181-9	+TRUSS HEAD SCREW M5X20		4		
C60	188605-7	OIL VESSEL SET		1		
049	158626-3	GEAR HOUSING COVER COMPLETE		1		
050	265182-7	+ PAN HEAD SCREW M5X25		2		
051	450440-6	UNDER COVER		1		
052	911148-2	PAN HEAD SCREW M4X25		4		
A01	194677-2	CORD HOLDER COMPLETE SET		1		
A02	158024-1	HOOK COMPLETE		1		
A03	450489-6	BLADE COVER		1		
F02	194660-9	SHEAR BLADE ASS'Y SET		1		
F05	194681-1	CHIP RECEIVER ASS'Y SET		1		

Please state Parts No. when your order.

Print Date 03/01/2024